

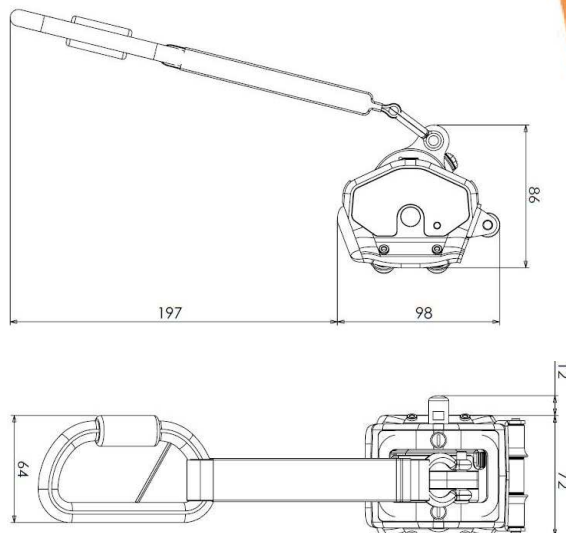
Unidirectional locking runner

Réf. : R.CB

Product picture



Technical



Operating principle



A simple down tension automatically locks the runner in its position

Technical features

Aluminum alloy body
Carabiner & energy absorber included

Weight: 780 g

Conform to the norm: EN 353-1:2002
+ pr EN 353-1:2008 et WG2 N446

Mounting features

The runner mounts directly on the rail by operating the retractable end stop ref. **R.BE.**

Advantages

The runner movement is really easy.

The runner is provided with a textile energy absorber.