

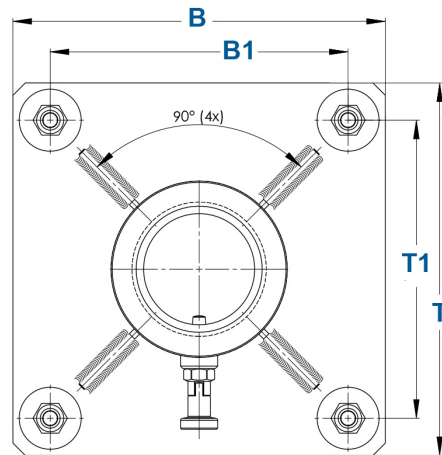
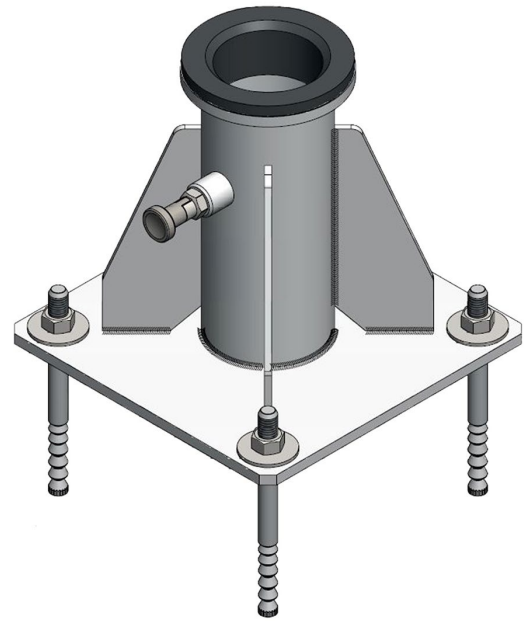
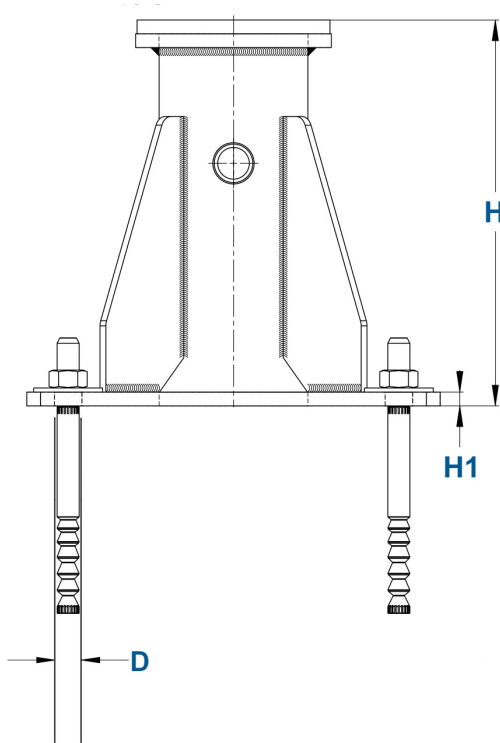


IKAR GB Limited

The 'TEAM' that provides Sales, Servicing and Training in Fall Arrest, Rescue and Confined Space Equipment!

IKAR Davit Ground Sleeve

Product Code – 41-57/1



H	H1	B	B1	T	T1	D	Weight
280mm	10mm	300mm	240mm	300mm	240mm	20mm	13.5Kg

Details:

- Main body is stainless steel (V4A)
- Davit post rotates on Polyester (PA Polyamide) fixed bearing
- Supplied with 4 x M16 resin fix bolts, washers, nuts and resin
- Installation and testing instructions detailed in the user manual
- When used with an IKAR Davit Arm (types AASS 1-4 & ASS 1-4) the system is in accordance to EN795 Class B.

IKAR GB Limited
32 Phoenix Industrial Estate, Charles Street, West Bromwich, B70 0AY
Tel: 0121 522 4120 Fax: 0121 520 1558
www.ikargb.co.uk email: contact@ikargb.co.uk
Registered In England Company No. 6491275
VAT Number 932 2636 34

