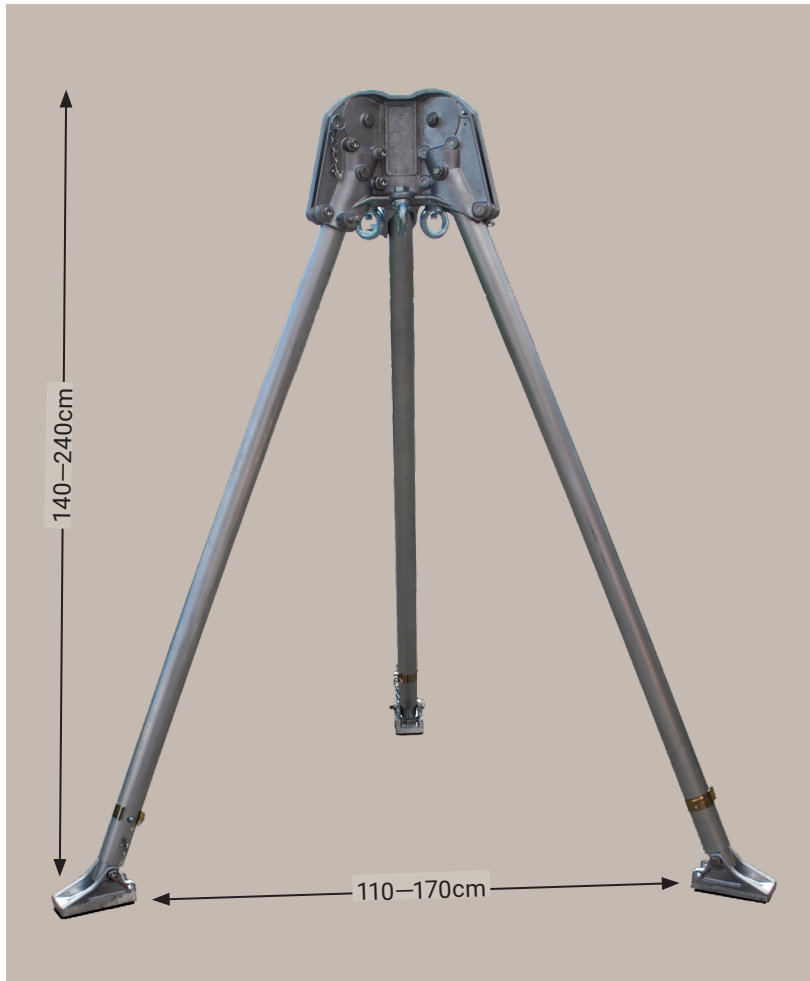


T3 Two Person Tripod



The tripod is the basis of a confined space entry and rescue system giving a strong, stable and portable anchorage point for fall arrest and recovery systems.

One worker can carry and erect the sturdy but lightweight aluminium alloy tripod.

For stability, the tripod legs may be individually adjusted.

The T3 has 6 anchor points tested to EN795. The 3 overhead pulleys hold up to 11mm rope. The extra anchor points may be used with pulleys for a double roped rescuer, back-up system, airlines, communication lines, medical kits, tools etc.

Product Code:	T3
Conformance:	BS EN 795 TYPE B
Attachment Points:	3 Overhead Pulleys 3 Fixed Eyebolts
Safe Working Load:	250KG (6:1 safety ratio)
Weight:	19.4kg
Service Interval:	12 months