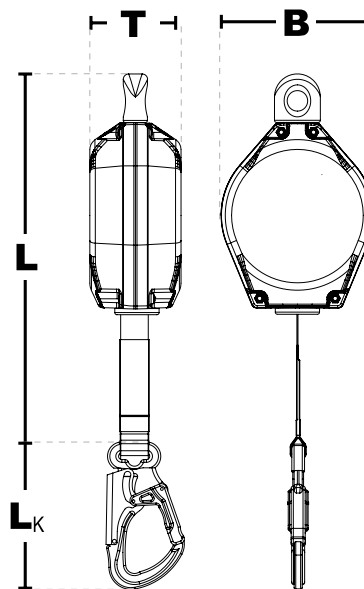


Flexible HWPB 15

according to FprEN360:2022



IKV 11 (EN 362:2004-T)



Explanations of the device names:

- H = Retractable type fall arrester
- W = Swivel attachment point
- S = Steel lifeline
- B = Webbing lifeline
- P = Plastic housing
- Number = Operational length of the device



IKAR retractable type fall arrester have been successfully tested in a simulated fall trial over and edge according to FprEN360:2022 ($r \geq 0,5$ mm).

Product information:

Order No:	Application length	Housing	Weight	Dimensions (LxBxT)	Connector (L_K) IKV 11
41-HWPB 15	15,0 m	Plastic	5,4 kg	420 x 223 x 100 mm	136,5 mm

Features

Retractable type fall arrester with internal energy absorber.

- Sturdy and low-maintenance retractable type fall arrester.
- Lightweight and robust ABS plastic housing with a rotational attachment eye.
- The rotational attachment eye prevents the webbing from twisting.
- Lifeline made of Dyneema® webbing.
- Standard connector IKV 11 .
- Nominal load: 136 kg
- Temperature range of application: -40°C bis +50°C
- Lifespan: approx 10 years