

ASAP LOCK



0082

EN 353-2: 2002

EN 12841: 2006 A



TPTC019/2011



0120

XF 494-2004: FZL-Z-Q10/13
GB/T 24537-2009

Mobile fall arrester for rope
Antichute mobile sur corde

WARNING / ATTENTION

Activities involving the use of this equipment are inherently dangerous. You are responsible for your own actions and decisions.

Before using this equipment, you must:
- Read and understand all Instructions for Use.
- Get specific training in its proper use.
- Become acquainted with its capabilities and limitations.
- Understand and accept the risks involved.

FAILURE TO HEED ANY OF THESE WARNINGS MAY RESULT IN SEVERE INJURY OR DEATH.

Les activités impliquant l'utilisation de cet équipement sont par nature dangereuses. Vous êtes responsable de vos actes, de vos décisions et de votre sécurité.

Avant d'utiliser cet équipement, vous devez:
- Lire et comprendre toutes les instructions d'utilisation.
- Vous former spécifiquement à l'utilisation de cet équipement.
- Vous familiariser avec votre équipement, apprendre à connaître ses performances et ses limites.
- Comprendre et accepter les risques induits.

LE NON-RESPECT D'UN SEUL DE CES AVERTISSEMENTS PEUT ÊTRE LA CAUSE DE BLESSURES GRAVES OU MORTELLES.

PETZL.COM



Latest version
Dernière version



Other languages
Autres langues



Technical tips
Conseils techniques



PPE checking
Fiche de contrôle EPI

Warning symbols
Panneaux d'alertes

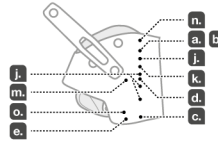
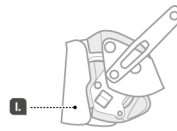


PETZL
FR-38920 Crolles
Cidex 105A
PETZL.COM
ISO 9001
© Petzl



Sustaining our Community
Au service de la Communauté
FONDATION-PETZL.ORG

Traceability and markings Traçabilité et marquage



CE a. 0082 b. 0082
Apave Exploitation France SAS
6 Rue du Général Audran
92412 Courbevoie cedex
France
N°0082

e. Individual number / Numéro individuel
YY M 0000000 000
f. g. h. i.



0120

This product is compliant with the Regulation 2016/425 on Personal Protective Equipment as brought into UK law and amended. Ce produit est conforme au règlement 2016/425 sur les équipements de protection individuelle tel que transposé en droit britannique et modifié.

Approved body performing the UKCA type examination and the production control of this PPE :

Organisme approuvé intervenant pour l'examen UKCA de type et le contrôle de production de cet EPI :

SGS United Kingdom Ltd
Inward Way
Rossmore Business Park
Ellesmere Port, Cheshire, CH65 3EN
United Kingdom
N° 0120

Authorized Representative in UK : PETZL UK Agency, Unit 3-7, Tebay Business Park, Old Tebay, Penrith, CA10 3SS, United Kingdom

China standards / 中国标准

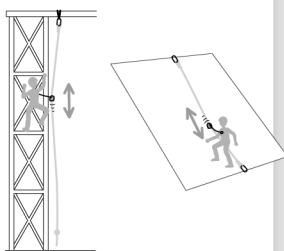
When operating under the XF 494-2004 standard for firefighters, use only a 10-13 mm diameter Light or General Use kernmantle Life Safety Rope.

当在消防的XF 494-2004标准下使用时, 只能使用直径10-13 mm的轻型或通用夹芯生命安全绳索

1. Field of application Champ d'application

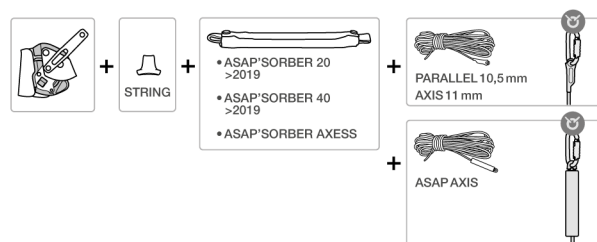
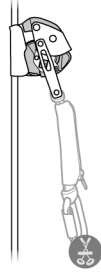
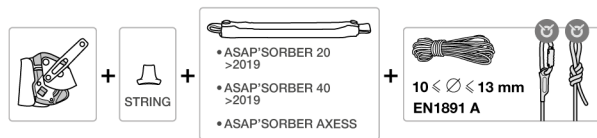
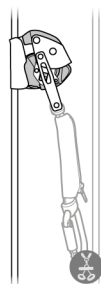


EN 12841 type A

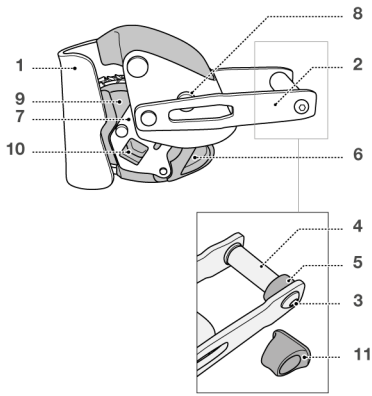


EN 353-2
GB/T 24537-2009

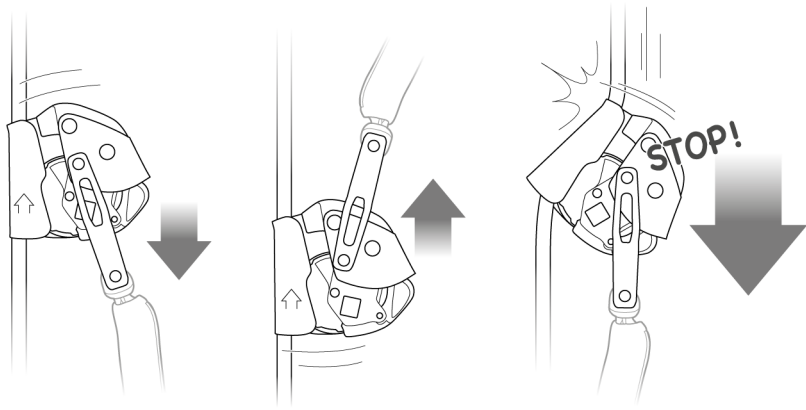
4. Compatibility Compatibilité



2. Nomenclature



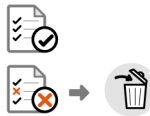
5. Working principle Principe fonctionnement



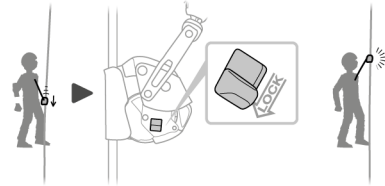
3. Inspection, points to verify Contrôle, points à vérifier



PPE checking
Vérification EPI
PETZL.COM

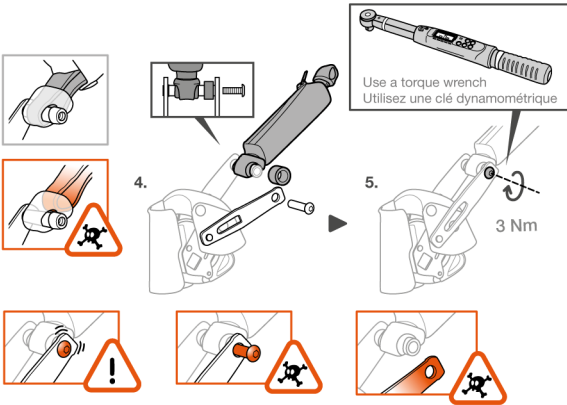
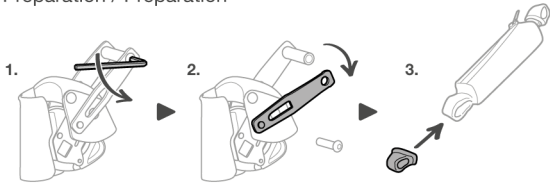


Locking function
Fonction de blocage



6. Installation and function test Mise en place et test de fonctionnement

Preparation / Préparation



Attachment to the harness / Connexion au harnais

Frequent connection
Connexions fréquentes



Am'D TL / Bm'D TLU / OK TL + CAPTIV

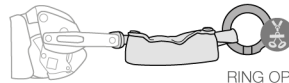
or /ou

Am'D TL / Bm'D TLU / OK TL + STRING

or /ou

Am'D TL / OK TL + MICROSWIVEL

Semi-permanent connection
Connexions semi-permanentes



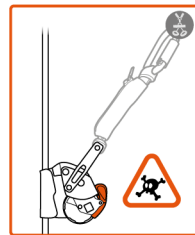
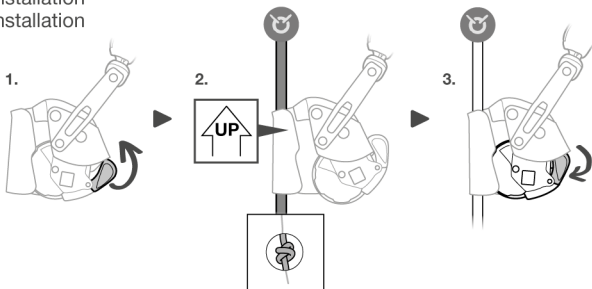
RING OPEN

or /ou

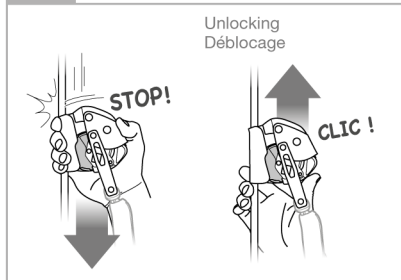
SWIVEL OPEN



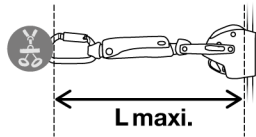
Installation
Installation



Test

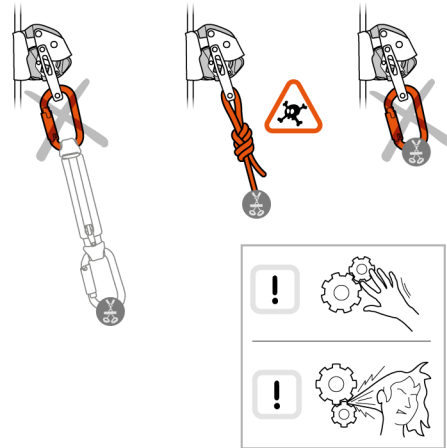
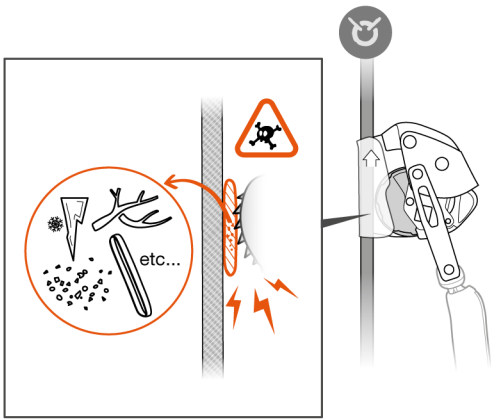
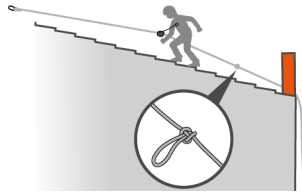
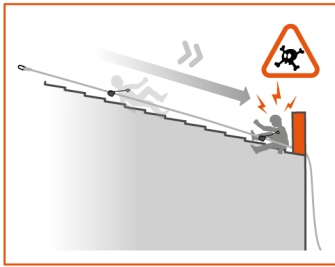
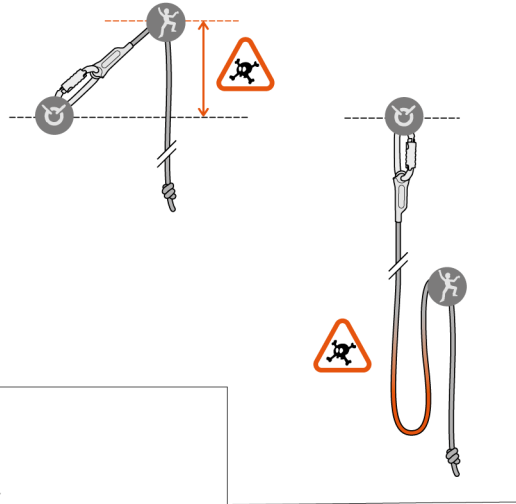


7. Precautions for use
Précautions d'utilisation

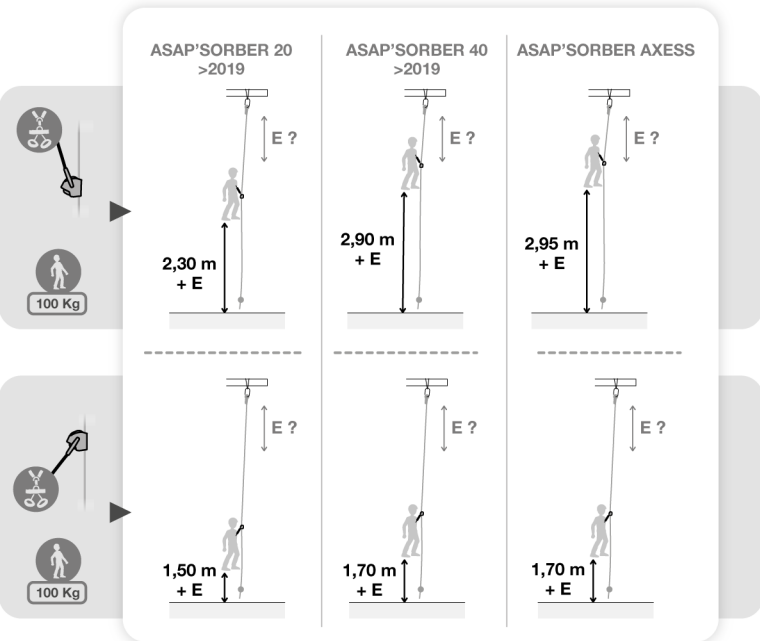


L maxi.

ASAP'SORBER 20 >2019	45 cm maxi.
ASAP'SORBER 40 >2019	65 cm maxi.
ASAP'SORBER AXESS	65 cm maxi.



8. Clearance
Tirant d'air



9. Cleaning (text part)
Nettoyage (partie texte)

10. Additional information
Informations complémentaires

A. Lifetime / Durée de vie **B. Acceptable T° / T° tolérées**



C. Precautions for use / Précautions d'usage



D. Cleaning / Nettoyage



E. Drying / Séchage



F. Storage - Transport / Stockage - transport



G. Maintenance
Entretien



H. Modifications - Repairs
Modifications - Réparations



I. FAQ - Contact
Questions - Contact



These instructions explain how to correctly use your equipment. Only certain techniques and uses are described.

The warning symbols inform you of some potential dangers related to the use of your equipment, but it is impossible to describe them all. Check Petzl.com for updates and additional information.

You are responsible for heeding each warning and using your equipment correctly. Any misuse of this equipment will create additional dangers. Contact Petzl if you have any doubts or difficulty understanding these instructions.

1. Field of application

Personal protective equipment (PPE) used for fall protection from height.

ASAP LOCK: mobile fall arrester for rope, with locking function

EN 12841 type A: rope adjustment device for the safety rope. Back-up device for a rope access system, to be used in conjunction with a type B or C progression device. EN 353-2: mobile fall arrester including a flexible safety line. Primary belay device in a fall-arrest system.

This product must not be pushed beyond its limits, nor be used for any purpose other than that for which it is designed.

Responsibility

WARNING

Activities involving the use of this equipment are inherently dangerous. You are responsible for your own actions, decisions and safety.

Before using this equipment, you must:

- Read and understand all Instructions for Use.
- Get specific training in its proper use.
- Become acquainted with its capabilities and limitations.
- Understand and accept the risks involved.

Failure to heed any of these warnings may result in severe injury or death.

This product must only be used by competent and responsible persons, or those placed under the direct and visual control of a competent and responsible person. You are responsible for your actions, your decisions and your safety and you assume the consequences of same. If you are not able, or not in a position to assume this responsibility, or if you do not fully understand the Instructions for Use, do not use this equipment.

2. Nomenclature

(1) Frame, (2) Clevis, (3) Screw, (4) Connection pin, (5) Spacer, (6) Safety catches, (7) Arm, (8) Arm axle, (9) Locking wheel, (10) Locking button, (11) STRING. Principal materials: aluminum alloy (frame, arm), stainless steel (locking wheel, clevis), polyester, nylon (ropes).

3. Inspection, points to verify

Your safety depends upon the integrity of your equipment.

Petzl recommends a detailed inspection by a competent person at least once every 12 months (depending on current regulations in your country, and your conditions of usage). WARNING: your intensity of use may cause you to inspect your PPE more frequently. Follow the procedures described at Petzl.com. Record the results on your PPE inspection form: type, model, manufacturer contact info, serial number or individual number, dates: manufacture, purchase, first use, next periodic inspection; problems, comments, inspector's name and signature.

Before each use

ASAP LOCK: verify that the absorber is correctly installed on the clevis, and that the screw is properly tightened.

Verify the absence of any cracks, nicks, deformation, wear, corrosion (on the frame, wheel, arm, clevis). Make sure the screw is securely tightened (correct installation, lack of play...).

Verify the condition of the safety catches, and that their return spring works.

Verify that the arm pivots on the axle, and that the return spring works. Verify that the locking wheel is clean and that the teeth are not worn out. Warning: if one or more teeth are missing, do not use the ASAP LOCK.

If the teeth are dirty, see the paragraph on Cleaning, maintenance. Verify that the locking wheel rotates smoothly, through one complete revolution in both directions.

Rope: check the condition of the rope according to the manufacturer's instructions. The rope must be retired if it has held a fall, if the core seems deformed, or if the sheath is damaged or stained.

During use

It is important to regularly monitor the condition of the product and its connections to the other equipment in the system. Make sure that all items of equipment are correctly positioned with respect to each other.

Beware of foreign objects that can prevent the locking wheel from pressing against the rope, or from turning. Protect your ASAP LOCK from splashes while working (paint, cement...). Make sure that the locking wheel is always engaged on the rope.

4. Compatibility

Verify that this product is compatible with the other elements of the system in your application (compatible = good functional interaction).

Equipment used with your ASAP LOCK must meet current standards in your country (e.g. EN 361 harnesses in Europe...).

Harness:

Connect your ASAP LOCK's energy absorber to a fall-arrest attachment point on your harness.

Energy-absorbing lanyard:

Use the ASAP LOCK only with compatible Petzl energy absorbers:

- ASAP[®]SORBER 20 and 40.
- ASAP[®]SORBER AXESS.

The energy absorber must not be extended (one connector maximum: 12 cm maximum length).

Rope, EN 12841 type A usage:

Use the ASAP LOCK with 10-13 mm EN 1891 type A low stretch kernmantle ropes.

Ropes tested during the EU EN 12841 type A certification:

- Petzl CLUB 10 mm.
- Teufelberger KM III 13 mm.

Rope, EN 353-2 usage:

Use the ASAP LOCK only with the ropes tested during the EU EN 353-2: 2002 certification:

- Petzl PARALLEL 10.5 mm.
- Petzl AXIS 11 mm.
- Petzl ASAP[®]AXIS 11 mm.

5. Working Principle

At moderate speeds, the locking wheel turns freely in both directions. When a rapid downward movement occurs, the locking wheel stops rotating and the rope is blocked by being pinched between the wheel and the frame.

Locking function: the integrated locking function allows the user to immobilize the device in order to reduce the length of a fall.

6. ASAP LOCK setup, and function test

Preparation:

Use only your ASAP LOCK's original screw. Apply thread-lock to the screw before assembly.

Install the energy absorber and close the clevis. Tighten, check the correct positioning of the axle and the screw tightness.

To ensure proper performance of your device, the screw must be correctly installed and tightened to the indicated torque. Using a torque wrench is the only way to verify that the tightening torque is correct.

Connection to the harness:

Frequent connection: use a TRIACT-LOCK EN 362 locking connector with a system that helps keep it positioned in the major axis (STRING, CAPTIV...).

Semi-permanent connection: use a semi-permanent connector, closed with a tool (RING OPEN, SWIVEL OPEN, quick link...).

Installation: open the safety catches to place the rope in the frame, close the catches to engage the locking wheel on the rope.

Warning: the ASAP LOCK is a directional device and locks in only one direction.

Danger of death if the ASAP LOCK is positioned upside down on the rope.

Perform a function test for each installation. Unlocking: after the function test, unlock the wheel to enable normal movement on the rope.

Locking function: use the wheel's locking button to prevent the ASAP LOCK from moving downward on the rope. Warning: in the case of accidental suspension on a locked ASAP LOCK, it cannot be unlocked while under load.

7. Precautions for use

Possible to create a travel-stop by tying a knot in the rope.

As you progress, regularly check that the rope is sliding properly in the ASAP LOCK to avoid creating a loop of slack that could increase the potential fall distance.

A dynamic overload can damage the rope. If the ASAP LOCK's rope is loaded, the user must be equipped with another back-up system.

Usage on an incline:

WARNING: in the event of a slow slide on a low-angle roof, for example, the ASAP LOCK may not activate immediately. Be sure to tie a stopper knot in the rope if there is a risk of hitting an obstacle.

8. Clearance

Clearance is the minimum amount of clear space below the user that prevents the user from hitting an obstacle in the event of a fall.

Clearance takes into account:

- The length of the fall.
 - The ASAP LOCK's stopping distance.
 - The tearing length of the energy absorber.
 - The average height of the user.
 - A safety margin of 1 meter.
- The rope's elasticity (E) varies according to the situation and must be added to your clearance calculation.

For more information, see the ASAP LOCK technical tips at Petzl.com.

The values presented are based on theoretical estimations and on fall tests using a rigid mass.

In a fall-arrest system, take into account the length of any connectors that will have an effect on the fall distance.

9. Cleaning, maintenance

Avoid getting any liquid inside the locking wheel's mechanism.

To clean the locking wheel teeth, using a solvent is not recommended, but is possible if applied with a brush, taking care to avoid getting any solvent in the mechanism.

10. Additional Information

This product meets the requirements of Regulation (EU) 2016/425 on personal protective equipment. The EU declaration of conformity is available at Petzl.com.

- You must have a rescue plan and the means to rapidly implement it in case of difficulties encountered while using this equipment.
- The anchor point for the system should preferably be located above the user's position and should meet the requirements of the EN 795 standard (12 kN minimum strength).
- In a fall-arrest system, it is essential to check the required clearance below the user before each use, in order to avoid hitting the ground or an obstacle in the event of a fall.
- Make sure that the anchor point is correctly positioned, in order to limit the risk and the length of a fall.
- A fall-arrest harness is the only device allowable for supporting the body in a fall-arrest system.
- When using multiple items of equipment, a dangerous situation can arise in which the safety function of an item of equipment can be affected by the safety function of another item of equipment.
- WARNING - DANGER: ensure that your products do not rub against abrasive or sharp surfaces.
- Users must be medically fit for activities at height. WARNING: inert suspension in a harness can result in serious injury or death.
- The Instructions for Use for each item of equipment used in conjunction with this product must be followed.
- The Instructions for Use must be provided to the user of this equipment, in the language of the country where the equipment is used.
- Keep the Instructions for Use in a permanent file for reference after removing them from the equipment.
- Make sure the markings on the product are legible.

When to retire your equipment:

WARNING: an exceptional event can lead you to retire a product after only one use, depending on the type and intensity of usage and the environment of usage (harsh environments, marine environments, sharp edges, extreme temperatures, chemicals...).

A product must be retired when:

- It has exceeded its lifespan.
- It has been subjected to a major fall or load.
- It fails to pass inspection. You have any doubt as to its reliability.
- You do not know its full usage history (e.g. an illegible product marking).
- When it becomes obsolete due to changes in legislation, standards, technique or incompatibility with other equipment...

Destroy these products to prevent further use.

Icons:

A. Unlimited lifespan - B. Acceptable temperatures - C. Usage precautions - D. Cleaning/disinfection - E. Drying - F. Storage/transport - G. Maintenance - H. Modifications/repairs (prohibited outside of Petzl facilities, except replacement parts) - I. Questions/contact

3-year guarantee

Against any material or manufacturing defect. Exclusions: normal wear and tear, oxidation, modifications or alterations, incorrect storage, poor maintenance, negligence, uses for which this product is not designed.

Warning symbols

1. Situation presenting an imminent risk of serious injury or death. 2. Exposure to a potential risk of accident or injury. 3. Important information on the functioning or performance of your product. 4. Equipment incompatibility.

Traceability and markings

a. Meets PPE regulatory requirements. Notified body performing the EU type examination - b. Number of the notified body responsible for the production control of this PPE - c. Traceability: datamatrix - d. Rope compatibility - e. Serial number - f. Year of manufacture - g. Month of manufacture - h. Batch number - i. Individual identifier - j. Standards - k. Read the Instructions for Use carefully - l. Model identification - m. Nominal maximum load - n. ANSI/ASSP certification body - o. Manufacturer address

Cette notice explique comment utiliser correctement votre équipement. Seuls certains usages et techniques sont présentés.

Les panneaux d'alerte vous informent de certains dangers potentiels liés à l'utilisation de votre équipement, mais il est impossible de tous les décrire. Prenez connaissance des mises à jour et informations complémentaires sur Petzl.com.

Vous êtes responsable de la prise en compte de chaque alerte et de l'utilisation correcte de votre équipement. Toute mauvaise utilisation de cet équipement sera à l'origine de dangers additionnels. Contactez Petzl si vous avez des doutes ou des difficultés de compréhension.

1. Champ d'application

Équipement de protection individuelle (EPI) contre les chutes de hauteur.

ASAP LOCK : antichute mobile sur corde avec fonction de blocage

EN 12841 type A : dispositif de réglage de corde pour support de sécurité. Appareil de contre-assurance pour système d'accès sur cordes, à utiliser conjointement avec un dispositif de progression de type B ou C.

EN 353-2 : antichute mobile pour support d'assurage flexible. Appareil d'assurage principal dans un système d'arrêt des chutes.

Ce produit ne doit pas être sollicité au-delà de ses limites ou dans toute autre situation que celle pour laquelle il est prévu.

Responsabilité

ATTENTION

Les activités impliquant l'utilisation de cet équipement sont par nature dangereuses.

Vous êtes responsable de vos actes, de vos décisions et de votre sécurité.

Avant d'utiliser cet équipement, vous devez :

- Lire et comprendre toutes les instructions d'utilisation.
- Vous former spécifiquement à l'utilisation de cet équipement.
- Vous familiariser avec votre équipement, apprendre à connaître ses performances et ses limites.
- Comprendre et accepter les risques induits.

Le non-respect d'un seul de ces avertissements peut être la cause de blessures graves ou mortelles.

Ce produit ne doit être utilisé que par des personnes compétentes et avisées ou placées sous le contrôle visuel direct d'une personne compétente et avisée.

Vous êtes responsable de vos actes, de vos décisions et de votre sécurité et en assumez les conséquences. Si vous n'êtes pas en mesure d'assumer cette responsabilité, ou si vous n'avez pas bien compris les instructions d'utilisation, n'utilisez pas cet équipement.

2. Nomenclature

(1) Corps, (2) Manille, (3) Vis, (4) Axe de connexion, (5) Entretoise, (6) Taquets, (7) Bras, (8) Axe du bras, (9) Galet bloqueur, (10) Bouton de blocage, (11) STRING.

Matériaux principaux : alliage d'aluminium (corps, bras), acier inoxydable (galet, manille), polyester, polyamide (cordes).

3. Contrôle, points à vérifier

Votre sécurité est liée à l'intégrité de votre équipement.

Petzl conseille une vérification approfondie, par une personne compétente, au minimum tous les 12 mois (en fonction de la réglementation en vigueur dans votre pays et de vos conditions d'utilisation). Attention, l'intensité de votre usage peut vous amener à vérifier plus fréquemment votre EPI. Respectez les modes opératoires décrits sur Petzl.com. Enregistrez les résultats sur la fiche de vie de votre EPI : type, modèle, coordonnées du fabricant, numéro de série ou numéro individuel, dates : fabrication, achat, première utilisation, prochains examens périodiques, défauts, remarques, nom et signature du contrôleur.

Avant toute utilisation

ASAP LOCK : vérifiez la bonne installation de l'absorbeur sur la manille et le serrage de la vis.

Vérifiez l'absence de fissures, marques, déformations, usures, corrosion (sur corps, galet, bras, manille). Vérifiez le serrage de la vis (installation correcte, absence de jeu...).

Vérifiez l'état des taquets et l'efficacité de leur ressort de rappel.

Vérifiez le pivotement du bras autour de l'axe et l'efficacité du ressort de rappel.

Vérifiez la propreté du galet et l'usure des dents. Attention, si une ou plusieurs dents manquent, n'utilisez plus l'ASAP LOCK.

Si les dents sont encrassées, consultez le paragraphe Nettoyage, entretien. Vérifiez que la rotation du galet se fait sans à-coup, sur un tour complet dans les deux sens. Corde : vérifiez l'état de la corde selon les indications du fabricant. La corde doit être réformée si elle a enrayé une chute, si l'âme semble déformée, ou si la gaine est abîmée ou tachée.

Pendant l'utilisation

Il est important de contrôler régulièrement l'état du produit et de ses connexions avec les autres équipements du système. Assurez-vous du bon positionnement des équipements les uns par rapport aux autres.

Attention aux objets étrangers pouvant entraver l'appui du galet bloqueur sur la corde et sa rotation. Protégez votre ASAP LOCK des projections lors du travail (peinture, ciment...). Assurez-vous que le galet bloqueur est toujours engagé sur la corde.

4. Compatibilité

Vérifiez la compatibilité de ce produit avec les autres éléments du système dans votre application (compatibilité = bonne interaction fonctionnelle).

Les éléments utilisés avec votre ASAP LOCK doivent être conformes aux normes en vigueur dans votre pays (par exemple harnais EN 361 en Europe...).

Harnais :

Connectez l'absorbeur d'énergie de votre ASAP LOCK au point d'attache d'antichute de votre harnais.

Longe absorbeur d'énergie :

Utilisez l'ASAP LOCK uniquement avec les absorbeurs d'énergie Petzl compatibles : - ASAP SORBER 20 et 40, - ASAP SORBER AXESS.

L'absorbeur d'énergie ne doit pas être rallongé (au maximum un connecteur : longueur 12 cm maximum).

Corde, utilisation EN 12841 type A :

Utilisez l'ASAP LOCK avec des cordes semi-statiques (âme + gaine) EN 1891 type A de 10 à 13 mm de diamètre.

Cordes testées lors de la certification UE EN 12841 type A :

- Petzl CLUB 10 mm.
- Teufelberger KM III 13 mm.

Corde, utilisation EN 353-2 :

Utilisez l'ASAP LOCK uniquement avec les cordes testées lors de la certification UE EN 353-2 : 2002 :

- Petzl PARALLEL 10,5 mm.
- Petzl AXIS 11 mm.
- Petzl ASAP AXIS 11 mm.

5. Principe de fonctionnement

À vitesse modérée, le galet bloqueur tourne librement dans les deux sens. Lors d'un mouvement rapide vers le bas, la rotation du galet bloqueur est stoppée, la corde est bloquée par pincement entre le galet et le corps.

Fonction de blocage : la fonction de blocage intégrée permet à l'utilisateur d'immobiliser l'appareil pour réduire la hauteur de chute.

6. Mise en place et test de fonctionnement de l'ASAP LOCK

Préparation :

Utilisez uniquement la vis d'origine de votre ASAP LOCK. Appliquez du frein filet sur votre vis avant le montage.

Installez l'absorbeur d'énergie et refermez la manille. Serrez, vérifiez le bon positionnement de l'axe et le serrage de la vis.

Afin d'assurer les bonnes performances de votre appareil, la vis doit être installée correctement et serrée au couple indiqué. Seule l'utilisation d'une clé dynamométrique permet de vérifier que le couple de serrage obtenu est correct.

Connexion au harnais :

Connexion fréquente : utilisez un connecteur EN 362 à verrouillage TRIACT-LOCK avec

un système de maintien dans le grand axe (STRING, CAPTIV...).

Connexion semi-permanente : utilisez un connecteur semi-permanent, fermé avec un outil (RING OPEN, SWIVEL OPEN, maillon rapide...).

Installation : ouvrez les taquets pour positionner la corde dans le corps, refermez les taquets pour engager le galet bloqueur sur la corde.

Attention, l'ASAP LOCK est directionnel : il bloque dans un seul sens. Danger de mort si l'ASAP LOCK est positionné à l'envers sur la corde.

Effectuez un test de fonctionnement à chaque installation.

Déblocage : après le test de fonctionnement, débloquez le galet pour un coulisement normal sur la corde.

Fonction de blocage : utilisez le bouton de blocage du galet pour empêcher le coulisement de l'ASAP LOCK sur la corde vers le bas. Attention, en cas de

suspension accidentelle sur l'ASAP LOCK bloqué, le déblocage ne peut pas se faire sous charge.

7. Précautions d'utilisation

Possibilité de réaliser une butée d'arrêt en réalisant un nœud sur la corde.

Contrôlez régulièrement le bon coulisement de la corde dans l'ASAP LOCK lors de votre progression pour vous assurer de ne pas créer une boucle de mou qui pourrait augmenter la hauteur de chute potentielle.

Une surcharge dynamique peut endommager la corde. Si la corde de l'ASAP LOCK est chargée, l'utilisateur doit se munir d'un autre support de sécurité.

Utilisation sur plan incliné :

Attention, en cas de glissade à faible vitesse sur un toit peu raide, par exemple, l'ASAP LOCK peut ne pas se déclencher immédiatement. Veillez à réaliser un nœud d'arrêt sur la corde en cas de risque de heurter un obstacle.

8. Tirant d'air

Le tirant d'air est la hauteur libre minimale, sous l'utilisateur, pour ne pas heurter d'obstacle en cas de chute.

Le tirant d'air prend en compte :

- La hauteur de chute.
- La distance d'arrêt de l'ASAP LOCK.
- La longueur de déchirement de l'absorbeur d'énergie.
- La taille moyenne de l'utilisateur.
- Une marge de sûreté de 1 m.

L'élasticité de la corde (E) varie selon la situation et doit être ajoutée à votre calcul de tirant d'air.

Pour plus d'informations, consultez les conseils techniques ASAP LOCK sur Petzl.com. Les valeurs présentées sont basées sur des estimations théoriques et des tests de chute de masse rigide.

Dans un système d'arrêt des chutes, tenez compte de la longueur des connecteurs qui influe sur la hauteur de chute.

9. Nettoyage, entretien

Évitez toute introduction de liquide dans le mécanisme du galet bloqueur.

Pour le nettoyage des dents du galet, l'utilisation de solvant n'est pas recommandée, mais est possible appliqué avec précautions, au pinceau, pour éviter les coulures dans le mécanisme.

10. Informations complémentaires

Ce produit est conforme au règlement (UE) 2016/425 relatif aux équipements de protection individuelle. La déclaration de conformité UE est disponible sur Petzl.com.

- Prévoyez les moyens de secours nécessaires pour intervenir rapidement en cas de difficultés.

- L'amarrage du système doit être de préférence situé au-dessus de la position de l'utilisateur et répondre aux exigences EN 795 (résistance minimum 12 kN).

- Dans un système d'arrêt des chutes, il est essentiel de vérifier l'espace libre requis sous l'utilisateur, avant chaque utilisation, afin d'éviter toute collision avec le sol, ou un obstacle, en cas de chute.

- Veillez à ce que le point d'amarrage soit correctement positionné, afin de limiter le risque et la hauteur de chute.

- Un harnais d'antichute est le seul dispositif de préhension du corps qu'il soit permis d'utiliser dans un système d'arrêt des chutes.

- Un danger peut survenir lors de l'utilisation de plusieurs équipements dans laquelle la fonction de sécurité de l'un des équipements peut être affectée par la fonction de sécurité d'un autre équipement.

- ATTENTION DANGER, veillez à ce que vos produits ne frottent pas sur des matériaux abrasifs ou pièces coupantes.

- Les utilisateurs doivent être médicalement aptes aux activités en hauteur.

ATTENTION, être suspendu et inerte dans un harnais peut déclencher des troubles physiologiques graves ou la mort.

- Les instructions d'utilisation définies dans les notices de chaque équipement associé à ce produit doivent être respectées.

- Les instructions d'utilisation doivent être fournies à l'utilisateur de cet équipement dans la langue du pays d'utilisation.

- Conservez les instructions d'utilisation dans un dossier permanent pour pouvoir les consulter après les avoir retirées de votre équipement.

- Assurez-vous de la lisibilité des marquages sur le produit.

Mise au rebut :

ATTENTION, un événement exceptionnel peut vous conduire à rebuter un produit après une seule utilisation (type et intensité d'utilisation, environnements d'utilisation : milieux agressifs, milieux marins, arêtes coupantes, températures extrêmes, produits chimiques...).

Un produit doit être rebuté quand :

- Il a dépassé sa durée de vie.
- Il a subi une chute ou un effort important.
- Le résultat des vérifications du produit n'est pas satisfaisant. Vous avez un doute sur sa fiabilité.
- Vous ne connaissez pas son historique complet d'utilisation (par exemple, un marquage produit illisible).

- Quand son usage est obsolète (évolution législative, normative, technique ou incompatibilité avec d'autres équipements...).

Détruisez ces produits pour éviter une future utilisation.

Pictogrammes :

A. Durée de vie illimitée - B. Températures tolérées - C. Précautions d'usage - D. Nettoyage/désinfection - E. Séchage - F. Stockage/transport - G. Entretien - H. Modifications/réparations (interdites hors des ateliers Petzl, sauf pièces de rechange) - I. Questions/contact

Garantie 3 ans

Contre tout défaut de matière ou fabrication. Sont exclus : usure normale, oxydation, modifications ou retouches, mauvais stockage, mauvais entretien, négligences, utilisations pour lesquelles ce produit n'est pas destiné.

Panneaux d'alerte

1. Situation présentant un risque imminent de blessure grave ou mortelle. 2. Exposition à un risque potentiel d'incident ou de blessure. 3. Information importante sur le fonctionnement ou les performances de votre produit. 4. Incompatibilité matérielle.

Traçabilité et marquage

a. Conforme aux exigences du règlement EPI. Organisme notifié pour l'examen UE de type - b. Numéro de l'organisme notifié pour le contrôle de production de cet EPI - c.

Traçabilité : datamatrix - d. Compatibilité cordes - e. Numéro individuel - f. Année de fabrication - g. Mois de fabrication - h. Numéro de lot - i. Identifiant individuel - j.

Normes - k. Lire attentivement la notice technique - l. Identification du modèle - m. Charge nominale maximum - n. Organisme de certification ANSI/ASSP - o. Adresse du fabricant

In dieser Gebrauchsanweisung wird erklärt, wie Sie Ihr Produkt richtig verwenden. Es werden nur einige der Verwendungen und Techniken dargestellt. Die Warnhinweise informieren Sie über mögliche Gefahren bezüglich der Verwendung Ihres Produkts. Es ist jedoch nicht möglich, alle erwägbareren Fälle zu beschreiben. Bitte nehmen Sie Kenntnis von den Aktualisierungen und zusätzlichen Informationen auf Petzl.com.

Sie sind für die Beachtung der Warnhinweise und für die sachgemäße Verwendung Ihres Produkts verantwortlich. Jede fehlerhafte Verwendung des Produkts bedeutet eine zusätzliche Gefahrenquelle. Wenn Sie Zweifel haben oder etwas nicht richtig verstehen, wenden Sie sich bitte an Petzl.

1. Anwendungsbereich

Persönliche Schutzausrüstung (PSA) zum Schutz gegen Absturz.

ASAP LOCK: Am Seil mitlaufendes Auffanggerät mit Blockierfunktion

EN 12841 Typ A: Seileinstellvorrichtung für das Sicherungssseil. Gerät zur redundanten Sicherung für Seilzugangssysteme zur Verwendung in Kombination mit einem System für den Aufstieg Typ B oder C.

EN 353-2: mitlaufendes Auffanggerät an beweglicher Führung. Erstes Sicherungsgerät in einem Auffangsystem.

Dieses Produkt darf nicht über seine Grenzen hinaus belastet werden. Es darf ausschließlich zu dem Zweck verwendet werden, für den es entwickelt wurde.

Haftung

WARNUNG

Aktivitäten, bei denen diese Ausrüstung zum Einsatz kommt, sind naturgemäß gefährlich.

Für Ihre Handlungen, Entscheidungen und für Ihre Sicherheit sind Sie selbst verantwortlich.

Vor dem Gebrauch dieser Ausrüstung müssen Sie:

- die Gebrauchsanleitung vollständig lesen und verstehen,
- fachgerecht zur richtigen Benutzung der Ausrüstung ausgebildet sein,
- sich mit Ihrer Ausrüstung vertraut machen, die Möglichkeiten und Grenzen kennen lernen,
- die mit dem Einsatz verbundenen Risiken verstehen und akzeptieren.

Die Nichtberücksichtigung auch nur einer dieser Warnungen kann zu schweren Verletzungen oder sogar Tod führen.

Dieses Produkt darf nur von kompetenten und verantwortungsbewussten Personen verwendet werden oder von Personen, die unter der direkten Aufsicht und visuellen Kontrolle einer kompetenten und verantwortungsbewussten Person stehen.

Sie sind für Ihre Handlungen, Entscheidungen und für Ihre Sicherheit verantwortlich und tragen die Konsequenzen. Wenn Sie nicht in der Lage sind, diese Verantwortung zu übernehmen, oder wenn Sie die Gebrauchshinweise nicht richtig verstanden haben, benutzen Sie diese Ausrüstung nicht.

2. Benennung der Teile

(1) Körper, (2) Verbindungsbügel, (3) Schraube, (4) Befestigungsbolzen, (5) Abstandshalter, (6) Sicherheitssperren, (7) Gelenkarm, (8) Achse des Gelenkarms, (9) Sperrrad, (10) Knopf zum Aktivieren der Blockierfunktion, (11) STRING. Hauptmaterialien: Aluminiumlegierung (Körper, Gelenkarm), rostfreier Stahl (Sperrrad, Verbindungsbügel), Polyester, Polyamid (Seile).

3. Überprüfung, zu kontrollierende Punkte

Ihre Sicherheit hängt vom Zustand Ihrer Ausrüstung ab.

Petzl empfiehlt, mindestens alle 12 Monate (entsprechend den in Ihrem Land geltenden Vorschriften und den Nutzungsbedingungen) eine eingehende Überprüfung durch eine kompetente Person durchführen zu lassen. Achtung: Abhängig von der Gebrauchsintensität muss Ihre PSA gegebenenfalls häufiger überprüft werden. Bitte beachten Sie die auf Petzl.com beschriebenen Vorgehensweisen. Tragen Sie die Ergebnisse in den Prüfbericht Ihrer PSA ein: Typ, Modell, Kontaktinformation des Herstellers, Seriennummer oder individuelle Nummer, Daten: Herstellung, Kauf, erste Anwendung, nächste regelmäßige Überprüfung, Probleme, Bemerkungen, Name und Unterschrift des Prüfers.

Vor jedem Einsatz

ASAP LOCK: Vergewissern Sie sich, dass der Falldämpfer ordnungsgemäß am Verbindungsbügel befestigt und die Schraube fest angezogen ist.

Stellen Sie sicher, dass Körper, Sperrrad, Gelenkarm und Verbindungsbügel keine Risse, Kratzer, Deformationen, Abnutzungs- und Korrosionserscheinungen aufweisen. Prüfen Sie, ob die Schraube festgezogen ist (richtige Montage, kein Spiel usw.). Überprüfen Sie den Zustand der Sicherheitssperren und vergewissern Sie sich, dass die Rückholfeder einwandfrei funktioniert.

Vergewissern Sie sich, dass sich der Gelenkarm um die Achse dreht und prüfen Sie, ob die Rückholfeder einwandfrei funktioniert. Vergewissern Sie sich, dass das Sperrrad sauber ist und die Zähne nicht abgenutzt sind. Achtung: Bei Fehlen eines oder mehrerer Zähne darf das ASAP LOCK nicht mehr benutzt werden.

Bei Verschmutzung der Zähne siehe Abschnitt Reinigung, Wartung. Kontrollieren Sie, ob sich das Sperrrad in beide Richtungen drehen lässt, ohne zu schleifen. Seil: Kontrollieren Sie den Zustand des Seils entsprechend den Angaben des Herstellers. Das Seil muss ausgesondert werden, nachdem es einen Sturz aufgefangen hat, wenn der Kern deformiert zu sein scheint oder wenn der Mantel beschädigt ist oder Flecken aufweist.

Während des Gebrauchs

Es ist unerlässlich, den Zustand des Produkts und seiner Verbindungen mit anderen Ausrüstungsgegenständen im System regelmäßig zu überprüfen. Stellen Sie stets sicher, dass die einzelnen Ausrüstungsgegenstände im System richtig zueinander positioniert sind.

Achten Sie auf Fremdkörper, die den Druck des Sperrrads auf das Seil und seine Drehung behindern können. Schützen Sie beim Arbeiten das ASAP LOCK vor Spritzern (Farbe, Zement usw.). Vergewissern Sie sich, dass das Sperrrad gegen das Seil drückt.

4. Kompatibilität

Überprüfen Sie die Kompatibilität dieses Produkts mit den anderen Elementen Ihres Systems (Kompatibilität = funktionelles Zusammenspiel). Die mit Ihrem ASAP LOCK verwendeten Ausrüstungselemente müssen mit den in Ihrem Land geltenden Normen übereinstimmen (z. B. in Europa Gurte nach EN 361).

Gurt:

Befestigen Sie den Falldämpfer Ihres ASAP LOCK an der Auffangöse Ihres Auffanggurts.

Verbindungsmittel mit Falldämpfer:

Benutzen Sie das ASAP LOCK ausschließlich mit den kompatiblen Falldämpfern von Petzl:

- ASAP[®]SORBER 20 und 40.
- ASAP[®]SORBER AXESS.

Der Falldämpfer darf nicht verlängert werden (maximal ein Verbindungselement: Länge maximal 12 cm).

Seil, Anwendung nach EN 12841 Typ A:

Verwenden Sie das ASAP LOCK mit halbstatischen Kernmantelseilen EN 1891 Typ A von 10 bis 13 mm Durchmesser.

Bei der Zertifizierung nach EU EN 12841 Typ A getestete Seile:

- Petzl CLUB 10 mm.
- Teufelberger KM III 13 mm.

Seil, Anwendung nach EN 353-2:

Verwenden Sie das ASAP LOCK ausschließlich mit den bei der Zertifizierung nach EU EN 353-2: 2002 getesteten Seilen:

- Petzl PARALLEL 10,5 mm.
- Petzl AXIS 11 mm.
- Petzl ASAP[®]AXIS 11 mm.

5. Funktionsprinzip

Bei geringer Geschwindigkeit kann sich das Sperrrad ungehindert in beide Richtungen drehen. Im Falle einer schnellen Abwärtsbewegung wird die Drehung des Sperrrads gestoppt und das Seil wird zwischen Sperrrad und Körper blockiert.

Blockierfunktion: Die integrierte Blockierfunktion ermöglicht es dem Anwender, das Gerät zu stoppen, um die Sturzhöhe zu reduzieren.

6. Installation und Funktionstest des ASAP LOCK

Vorbereitung:

Verwenden Sie ausschließlich die Originalschraube Ihrer ASAP LOCK. Tragen Sie vor der Montage etwas flüssige Schraubensicherung auf das Gewinde auf.

Installieren Sie den Falldämpfer und schließen Sie dann den Bügel. Ziehen Sie die Schraube an, kontrollieren Sie die richtige Positionierung des Verbindungsbolzens und den festen Sitz der Schraube.

Damit die Leistungseigenschaften Ihres Geräts gewährleistet werden können, muss die Schraube richtig angebracht und mit dem angegebenen Drehmoment angezogen werden. Nur mithilfe eines Drehmomentschlüssels kann überprüft werden, ob das erreichte Anzugsdrehmoment korrekt ist.

Befestigung am Gurt:

Häufiges Ein-/Aushängen: Verwenden Sie ein Verbindungselement EN 362 mit TRIACT-LOCK-Verriegelung und ein System, welches das Verbindungselement in der Längsachse hält (STRING, CAPTIV usw.).

Dauerhafte Installation am Gurt: Verwenden Sie ein Verbindungselement, das mit einem Werkzeug geschlossen wird (RING OPEN, SWIVEL OPEN, Schließring usw.).

Installation: Öffnen Sie die Sicherheitssperren, um das Seil in den Körper des Geräts einzulegen und schließen Sie dann die Sicherheitssperren, so dass das Sperrrad gegen das Seil drückt.

Achtung: Das ASAP LOCK ist ein richtungsabhängiges Gerät und blockiert nur in eine Richtung. Lebensgefahr: Installieren Sie das ASAP LOCK niemals verkehrt herum am Seil.

Machen Sie bei jeder Installation einen Funktionstest.

Eintriegelung: Entriegeln Sie nach dem Funktionstest das Sperrrad, so dass es sich normal am Seil dreht.

Blockierfunktion: Benutzen Sie den Knopf zum Aktivieren der Blockierfunktion, um zu verhindern, dass das ASAP LOCK am Seil nach unten rutscht. Achtung: Wenn der Anwender nach einem Sturz am blockierten ASAP LOCK hängt, kann das belastete Gerät nicht entspert werden.

7. Vorsichtsmaßnahmen

Das Seil kann mit einem Bremsknoten zum Stoppen des Geräts versehen werden. Kontrollieren Sie während der Fortbewegung regelmäßig, ob das Seil ungehindert durch das ASAP LOCK läuft, um sicherzugehen, dass sich kein Schliappseil bildet, da sich hierdurch die mögliche Sturzhöhe vergrößern würde.

Eine dynamische Überlast kann das Seil beschädigen. Wenn das Seil des ASAP LOCK belastet ist, muss der Anwender ein anderes Sicherheitsseil benutzen.

Einsatz an schrägen Flächen:

Achtung: Wenn der Anwender nur langsam nach unten rutscht, z. B. an einem Dach mit geringer Neigung, kann es passieren, dass das ASAP LOCK nicht sofort blockiert. Denken Sie daran, das Seil mit einem Bremsknoten zu versehen, wenn das Risiko besteht, dass der Anwender auf ein Hindernis aufschlägt.

8. Sturzraum

Der Sturzraum ist die minimale Strecke unterhalb des Anwenders, damit er während des Sturzes auf kein Hindernis aufschlagen kann.

Beim Sturzraum werden folgende Faktoren berücksichtigt:

- Die Sturzhöhe.
- Die Auffangstrecke des ASAP LOCK.
- Die Aufreißlänge des Falldämpfers.
- Die durchschnittliche Größe des Anwenders.
- Eine Sicherheitsreserve von 1 m.

Die Seildehnung (E) variiert entsprechend der Situation und muss bei der Berechnung des Sturzraums berücksichtigt werden. Weitere Informationen finden Sie in den technischen Tipps zum ASAP LOCK auf Petzl.com.

Die angegebenen Werte basieren auf theoretischen Schätzungen und mit einer starren Last durchgeführten Sturztests.

Bei einem Auffangsystem muss die Länge der Verbindungselemente berücksichtigt werden, da diese die Sturzhöhe beeinflusst.

9. Reinigung, Wartung

Vermeiden Sie das Eindringen von Flüssigkeit in den Mechanismus des Sperrrads. Das Reinigen der Sperrradzähne mit einem Lösungsmittel wird nicht empfohlen, ist jedoch möglich, wenn Sie die Zähne vorsichtig mit einem Pinsel säubern und darauf achten, dass kein Lösungsmittel in den Mechanismus fließt.

10. Zusätzliche Informationen

Das Produkt entspricht der PSA-Verordnung (EU) 2016/425. Die EU-Konformitätserklärung ist auf Petzl.com verfügbar.

- Der Anwender muss für eventuelle Schwierigkeiten, die während der Anwendung dieses Produkts auftreten können, Rettungsmöglichkeiten planen.
- Der Anschlagpunkt des Systems sollte oberhalb der Position des Anwenders errichtet werden und den Anforderungen der Norm EN 795 entsprechen. Die Mindestbruchlast des Anschlagpunktes muss 12 kN betragen.
- In einem Auffangsystem ist vor jeder Benutzung sicherzustellen, dass genügend Sturzraum unter dem Anwender vorhanden ist, sodass er im Falle eines Sturzes nicht auf den Boden oder auf ein Hindernis schlägt.
- Achten Sie darauf, dass der Anschlagpunkt richtig platziert ist, um das Risiko und die Höhe eines Sturzes zu reduzieren.
- In einem Auffangsystem ist zum Halten des Körpers ausschließlich ein Auffanggurt zulässig.
- Werden mehrere Ausrüstungsgegenstände zusammen verwendet, kann es zu gefährlichen Situationen kommen, wenn die Sicherheitsfunktion eines Gegenstands durch einen anderen Ausrüstungsgegenstand behindert wird.
- ACHTUNG – GEFAHR: Achten Sie darauf, dass die Produkte nicht an rauen Materialien oder scharfkantigen Gegenständen reiben.
- Anwender müssen für Aktivitäten in der Höhe gesundheitlich in guter Verfassung sein. WARNUNG: Das regungslose Hängen in einem Gurt kann zu schweren Verletzungen oder sogar Tod führen (Hängetrauma).
- Die Gebrauchsanleitungen für jeden Ausrüstungsgegenstand, der zusammen mit diesem Produkt verwendet wird, müssen unbedingt befolgt werden.
- Die Gebrauchsanleitungen müssen allen Anwendern dieser Ausrüstung in Landessprache zur Verfügung gestellt werden.
- Bewahren Sie die Gebrauchsanleitung sorgfältig in einem Ordner als künftige Referenz aus, nachdem Sie sie von der Ausrüstung entfernt haben.
- Vergewissern Sie sich, dass die Markierungen auf dem Produkt lesbar sind.

Aussondern von Ausrüstung:

ACHTUNG: Außergewöhnliche Umstände können die Aussonderung eines Produkts nach einer einmaligen Anwendung erforderlich machen (Art und Intensität der Benutzung, Anwendungsbereich: aggressive Umgebungen, Meeresklima, scharfe Kanten, extreme Temperaturen, Chemikalien usw.).

In folgenden Fällen muss ein Produkt ausgesondert werden:

- Seine Lebensdauer wurde überschritten.
- Es wurde einem schweren Sturz oder einer schweren Belastung ausgesetzt.
- Das Produkt fällt bei der PSA-Überprüfung durch. Sie bezweifeln seine Zuverlässigkeit.
- Die vollständige Gebrauchsgeschichte ist nicht bekannt (z. B. ist eine Produktmarkierung unleserlich).
- Das Produkt ist veraltet (Änderung der gesetzlichen Bestimmungen, der Normen oder der technischen Vorschriften, Inkompatibilität mit anderen Ausrüstungsgegenständen usw.).
- Zerstören und entsorgen Sie diese Produkte, um ihren weiteren Gebrauch zu verhindern.

Zeichenerklärungen:

A. Unbegrenzte Lebensdauer – B. Temperaturbeständigkeit – C. Vorsichtsmaßnahmen – D. Reinigung/Desinfektion – E. Trocknung – F. Lagerung/Transport – G. Pflege – H. Änderungen/Reparaturen (außerhalb der Petzl-Betriebsstätten nicht zulässig, ausgenommen Ersatzteile) – I. Fragen/Kontakt

3 Jahre Garantie

Auf Material- und Fabrikationsfehler: Von der Garantie ausgeschlossen sind: normale Abnutzung, Oxidation, Modifikationen oder Nachbesserungen, unsachgemäße Lagerung, unsachgemäße Wartung, Nachlässigkeit und Anwendungen, für die das Produkt nicht bestimmt ist.

Warnhinweise

1. Unmittelbare Verletzungs- oder Lebensgefahr.
2. Potenzielles Unfall- oder Verletzungsrisiko.
3. Wichtige Information über die Funktionsweise

oder die Leistungsangaben Ihres Produkts. 4. Inkompatibilität zwischen Ausrüstungsgegenständen.

Rückverfolgbarkeit und Markierung

a. Entspricht den Anforderungen der PSA-Verordnung. Benannte Stelle für die EU-Baumusterprüfung – b. Nummer der notifizierten Stelle für die Produktionskontrolle dieser PSA – c. Rückverfolgbarkeit: Data Matrix – d. Seilkompatibilität – e. Individuelle Nummer – f. Herstellungsjahr – g. Herstellungsmonat – h. Nummer der Fertigungsreihe – i. Individuelle Produktnummer – j. Normen – k. Lesen Sie die Gebrauchsanleitung aufmerksam durch – l. Modell-Identifizierung – m. Maximale Arbeitslast – n. ANSI/ASSP Zertifizierungsstelle – o. Adresse des Herstellers

Questa nota informativa spiega come utilizzare correttamente il dispositivo. Solo alcune tecniche e utilizzi sono presentati.

I segnali di attenzione vi informano di alcuni potenziali pericoli legati all'utilizzo del dispositivo, ma è impossibile descriverli tutti. Prendete visione degli aggiornamenti e delle informazioni supplementari sul sito Petzl.com.

Voi siete responsabili della considerazione di ogni avviso e dell'utilizzo corretto del dispositivo. L'uso improprio di questo dispositivo causa rischi aggiuntivi. Contattare Petzl in caso di dubbi o difficoltà di comprensione.

1. Campo di applicazione

Dispositivo di protezione individuale (DPI) contro le cadute dall'alto.

ASAP LOCK: anticaduta di tipo guidato su corda con funzione di bloccaggio EN 12841 tipo A: dispositivo di regolazione su corda per una linea di sicurezza.

Dispositivo di autoassicurazione per un sistema di accesso su corda, da utilizzare insieme ad un dispositivo di progressione di tipo B o C.

EN 353-2: anticaduta di tipo guidato per supporto di assicurazione flessibile.

Dispositivo di assicurazione principale in un sistema di arresto caduta.

Questo prodotto non deve essere sollecitato oltre i suoi limiti o in qualsiasi altra situazione differente da quella per cui è destinato.

Responsabilità

ATTENZIONE

Le attività che comportano l'utilizzo di questo dispositivo sono per natura pericolose. Voi siete responsabili delle vostre azioni, delle vostre decisioni e della vostra sicurezza.

Prima di utilizzare questo dispositivo, occorre:

- Leggere e comprendere tutte le istruzioni d'uso.
- Ricevere una formazione adeguata sul suo utilizzo.
- Acquisire familiarità con il dispositivo, imparare a conoscerne le prestazioni e i limiti.
- Comprendere e accettare i rischi indotti.

Il mancato rispetto di una sola di queste avvertenze può essere la causa di ferite gravi o mortali.

Questo prodotto deve essere utilizzato esclusivamente da persone competenti e addestrate o sottoposte al controllo visivo diretto di una persona competente e addestrata.

Voi siete responsabili delle vostre azioni, delle vostre decisioni e della vostra sicurezza e ve ne assumete le conseguenze. Se non siete in grado di assumervi questa responsabilità, o se non avete compreso le istruzioni d'uso, non utilizzare questo dispositivo.

2. Nomenclatura

(1) Corpo, (2) Maniglia, (3) Vite, (4) Asse di collegamento, (5) Spessore, (6) Fermi di blocco e sblocco, (7) Braccio, (8) Asse del braccio, (9) Rotella bloccante, (10) Pulsante di bloccaggio, (11) STRING.

Materiali principali: lega di alluminio (corpo, levetta), acciaio inossidabile (rotella, maniglia), poliestere, poliammide (corde).

3. Controllo, punti da verificare

La vostra sicurezza è legata all'integrità della vostra attrezzatura.

Petzl raccomanda un controllo approfondito come minimo ogni 12 mesi da parte di una persona competente (in funzione della normativa in vigore nel vostro paese e delle vostre condizioni d'uso). Attenzione, l'intensità di utilizzo può comportare un controllo più frequente del DPI. Rispettate le procedure descritte sul sito Petzl.com. Registrate i risultati nella scheda di vita del vostro DPI: tipo, modello, dati del fabbricante, numero di serie o numero individuale; date: fabbricazione, acquisto, primo utilizzo, successive verifiche periodiche; difetti, osservazioni; nome e firma del controllore.

Prima di ogni utilizzo

ASAP LOCK: verificare la corretta installazione dell'assorbitore sulla maniglia e il serraggio della vite.

Verificare l'assenza di fessurazioni, segni, deformazioni, usura, corrosione (su corpo, rotella, levetta, maniglia). Verificare il serraggio della vite (installazione corretta, assenza di gioco...).

Verificare lo stato dei fermi e l'efficacia della loro molla di richiamo.

Verificare la rotazione della levetta intorno all'asse e l'efficacia della molla di richiamo. Verificare la pulizia della rotella e l'usura dei denti. Attenzione, se uno o più denti mancano, non utilizzare più l'ASAP LOCK.

Se i denti sono sporchi, consultare il paragrafo Pulizia, manutenzione. Verificare che la rotazione della rotella avvenga senza contraccolpi, con un giro completo nei due sensi. Corda: verificare lo stato della corda secondo le indicazioni del fabbricante. La corda deve essere scartata se ha arrestato una caduta, se l'anima appare deformata, o se la calza è rovinata o macchiata.

Durante l'utilizzo

È importante controllare regolarmente lo stato del prodotto e dei suoi collegamenti con gli altri dispositivi del sistema. Assicurarsi del corretto posizionamento dei dispositivi gli uni rispetto agli altri.

Attenzione ai corpi estranei che possono ostacolare l'appoggio della rotella bloccante sulla corda e la sua rotazione. Proteggere l'ASAP LOCK dalle proiezioni durante il lavoro (vernice, cemento...). Assicurarsi che la rotella bloccante sia sempre attiva sulla corda.

4. Compatibilità

Verificare la compatibilità di questo prodotto con gli altri elementi del sistema nella vostra applicazione (compatibilità = buona interazione funzionale).

Gli elementi utilizzati con l'ASAP LOCK devono essere conformi alle norme in vigore nel vostro paese (esempio imbracature EN 361 in Europa...).

Imbracatura:

Collegare l'assorbitore di energia dell'ASAP LOCK al punto di attacco anticaduta dell'imbracatura.

Cordino assorbitore di energia:

Utilizzare l'ASAP LOCK esclusivamente con gli assorbitori di energia Petzl compatibili:

- ASAP'SORBER 20 e 40.
- ASAP'SORBER AXESS.

L'assorbitore di energia non deve essere prolungato (massimo un connettore: lunghezza max 12 cm).

Corda, utilizzo EN 12841 tipo A:

Utilizzare l'ASAP LOCK con corde semistatiche (anima + calza) EN 1891 tipo A da 10 a 13 mm di diametro.

Corde testate al momento della certificazione UE EN 12841 tipo A:

- Petzl CLUB 10 mm.
- Teufelberger KM III 13 mm.

Corda, utilizzo EN 353-2:

Utilizzare l'ASAP LOCK esclusivamente con le corde testate al momento della

certificazione UE EN 353-2: 2002:

- Petzl PARALLELE 10,5 mm.
- Petzl AXIS 11 mm.
- Petzl ASAP'AXIS 11 mm.

5. Principio di funzionamento

A velocità moderata, la ruota bloccante gira liberamente nei due sensi. In caso di movimento rapido verso il basso, la rotazione della rotella bloccante si ferma, la corda viene bloccata stringendola tra la rotella e il corpo.

Funzione di bloccaggio: la funzione bloccante integrata consente all'utilizzatore di arrestare il dispositivo per ridurre l'altezza della caduta.

6. Installazione e test di funzionamento dell'ASAP LOCK

Preparazione:

Utilizzare esclusivamente la vite di serie dell'ASAP LOCK. Applicare una goccia di frena filetto sulla vite prima del montaggio.

Installare l'assorbitore di energia e richiudere la maniglia. Stringere, verificare il corretto posizionamento dell'asse e il serraggio della vite.

Per garantire le buone prestazioni del dispositivo, la vite deve essere installata correttamente e serrata alla coppia indicata. Soltanto l'utilizzo di una chiave dinamometrica consente di verificare che la coppia di serraggio ottenuta sia corretta.

Collegamento all'imbracatura:

Collegamento frequente: utilizzare un connettore EN 362 con ghiera di bloccaggio TRIACT-LOCK con un sistema di posizionamento sull'asse maggiore (STRING, CAPTIV...).

Collegamento semi permanente: utilizzare un connettore semipermanente, chiuso con un attrezzo (RING OPEN, SWIVEL OPEN, maglia rapida...).

Installazione: aprire i fermi per posizionare la corda nel corpo, richiudere i fermi per attivare la rotella bloccante sulla corda.

Attenzione, l'ASAP LOCK è direzionale, blocca in un solo senso. Pericolo di morte se l'ASAP LOCK è posizionato alla rovescia sulla corda.

Effettuare un test di funzionamento ad ogni utilizzo.

Sbloccaggio: dopo il test di funzionamento, sbloccare la rotella per uno scorrimento normale sulla corda.

Funzione di bloccaggio: utilizzare il pulsante di bloccaggio della rotella per impedire lo scorrimento dell'ASAP LOCK sulla corda verso il basso. Attenzione, in caso di sospensione accidentale sull'ASAP LOCK bloccato, lo sbloccaggio non può avvenire sotto carico.

7. Precauzioni d'uso

Possibilità di realizzare un fermo di arresto realizzando un nodo sulla corda.

Controllare regolarmente il corretto scorrimento della corda nell'ASAP LOCK, durante la progressione, per assicurarsi che non si creino laschi di corda che potrebbero aumentare l'altezza potenziale della caduta.

Un sovraccarico dinamico può danneggiare la corda. Se la corda dell'ASAP LOCK è sotto carico, l'utilizzatore deve munirsi di un altro supporto di sicurezza.

Utilizzo su piano inclinato:

Attenzione, in caso di scivolamento a bassa velocità su un tetto poco inclinato, per esempio, l'ASAP LOCK potrebbe non azionarsi immediatamente. Assicurarsi di realizzare un nodo di arresto sulla corda qualora vi sia il rischio di urtare un ostacolo.

8. Tirante d'aria

Il tirante d'aria è l'altezza libera minima sotto l'utilizzatore, affinché non urti ostacoli in caso di caduta.

Il tirante d'aria prende in considerazione:

- L'altezza della caduta.
- La distanza di arresto dell'ASAP LOCK.
- La lunghezza dell'assorbitore di energia dopo lacerazione.
- L'altezza media dell'utilizzatore.
- Un margine di sicurezza di 1 m.

L'elasticità della corda (E) varia a seconda della situazione e deve essere aggiunta al calcolo del tirante d'aria.

Per maggiori informazioni, consultare i consigli tecnici ASAP LOCK sul sito Petzl.com. I valori presentati si basano su stime teoriche e test di caduta di massa rigida.

In un sistema di arresto caduta, tenere conto della lunghezza dei connettori che può influire sull'altezza di caduta.

9. Pulizia, manutenzione

Evitare l'introduzione di liquido nel meccanismo della rotella bloccante.

Per la pulizia dei denti della rotella, l'utilizzo di solventi non è consigliato, ma è possibile se applicato accuratamente con un pennello, per evitare sgocciolature nel meccanismo.

10. Informazioni supplementari

Questo prodotto è conforme al regolamento (UE) 2016/425 relativo ai dispositivi di protezione individuale. La dichiarazione di conformità UE è disponibile sul sito Petzl.com.

- Prevedere i mezzi di soccorso necessari per intervenire rapidamente in caso di difficoltà.
- L'ancoraggio del sistema deve essere preferibilmente situato al di sopra della posizione dell'utilizzatore e deve rispondere ai requisiti della norma EN 795 (resistenza minima 12 kN).
- In un sistema di arresto caduta, è fondamentale verificare lo spazio libero richiesto sotto l'utilizzatore, prima di ogni utilizzo, per evitare la collisione con il suolo o un ostacolo in caso di caduta.
- Assicurarsi che il punto di ancoraggio sia posizionato correttamente, per ridurre il rischio e l'altezza di caduta.
- Un'imbracatura anticaduta è l'unico dispositivo di presa del corpo che sia consentito utilizzare in un sistema di arresto caduta.
- Un pericolo può sopraggiungere al momento dell'utilizzo di più dispositivi in cui la funzione di sicurezza di uno dei dispositivi può essere compromessa dalla funzione di sicurezza di un altro dispositivo.
- ATTENZIONE PERICOLO, verificare che i prodotti non sfregino contro materiali abrasivi o parti taglienti.
- Gli utilizzatori devono avere l'idoneità sanitaria per le attività in quota. ATTENZIONE, la sospensione inerte nell'imbracatura può generare gravi disturbi fisiologici o la morte.
- Devono essere rispettate le istruzioni d'uso indicate nelle note informative di ogni dispositivo associato a questo prodotto.
- Le istruzioni d'uso di questo dispositivo devono essere fornite all'utilizzatore e redatte nella lingua del paese in cui il prodotto viene utilizzato.
- Conservare le istruzioni d'uso in un archivio permanente per poterle consultare dopo averle rimosse dal dispositivo.
- Assicurarsi che le marcature sul prodotto siano leggibili.

Eliminazione:

ATTENZIONE, un evento eccezionale può comportare l'eliminazione del prodotto dopo un solo utilizzo (tipo ed intensità di utilizzo, ambiente di utilizzo: ambienti aggressivi, ambienti marini, parti taglienti, temperature estreme, prodotti chimici...).

Il prodotto deve essere eliminato quando:

- Ha superato la sua durata di vita prevista.
- Ha subito una caduta o uno sforzo notevoli.
- Il risultato dei controlli del prodotto non è soddisfacente. Si ha un dubbio sulla sua affidabilità.
- Non si conosce l'intera storia del suo utilizzo (per esempio, una marcatura prodotto illeggibile).
- Quando il suo utilizzo è obsoleto (evoluzione delle leggi, delle normative, delle tecniche o incompatibilità con altri dispositivi...).
- Distruggere i prodotti scartati per evitarne un futuro utilizzo.

Pittogrammi:

A. Durata illimitata - B. Temperature tollerate - C. Precauzioni d'uso - D. Pulizia/disinfezione - E. Asciugatura - F. Stoccaggio/trasporto - G. Manutenzione - H. Modifiche/riparazioni (proibite al di fuori degli stabilimenti Petzl salvo pezzi di ricambio) - I. Domande/contatto

Garanzia 3 anni

Contro ogni difetto di materiale o di fabbricazione. Sono esclusi: usura normale, ossidazione, modifiche o ritocchi, cattiva conservazione, manutenzione impropria, negligenze, utilizzi ai quali questo prodotto non è destinato.

Segnali di attenzione

1. Situazione che presenta un rischio imminente di lesione grave o mortale. 2. Esposizione a un rischio potenziale d'incidente o lesione. 3. Informazione importante sul funzionamento o le performance del vostro prodotto. 4. Incompatibilità materiale.

Tracciabilità e marcatura

a. Conforme ai requisiti del regolamento DPI. Ente riconosciuto che interviene per l'esame UE di tipo - b. Numero dell'organismo notificato per il controllo della produzione di questo DPI - c. Tracciabilità: datamatrix - d. Compatibilità corde - e. Numero individuale - f. Anno di fabbricazione - g. Mese di fabbricazione - h. Numero lotto - i. Identificativo individuale - j. Norme - k. Leggere attentamente l'istruzione tecnica - l. Identificazione del modello - m. Carico nominale massimo - n. Ente di certificazione ANSI/ASSP - o. Indirizzo del fabbricante

Este folleto explica cómo utilizar correctamente su equipo. Solo se presentan algunas utilidades y técnicas.

Las señales de advertencia le informan de algunos peligros potenciales relacionados con la utilización de su equipo, pero es imposible describirlos todos. Infórmese de las actualizaciones y de la información complementaria en Petzl.com.

Usted es responsable de tener en cuenta cada una de las advertencias y de utilizar correctamente su equipo. Cualquier mala utilización de este equipo originará peligros adicionales. Contacte con Petzl si tiene dudas o dificultades de comprensión.

1. Campo de aplicación

Equipo de protección individual (EPI) contra las caídas de altura.

ASAP LOCK: anticaídas deslizante para cuerda con función de bloqueo

EN 12841 tipo A: dispositivo de regulación de cuerda para la línea de seguridad.

Aparato de seguridad para un sistema de acceso mediante cuerda, a utilizar conjuntamente con un dispositivo de progresión de tipo B o C.

EN 353-2: anticaídas deslizante sobre línea de aseguramiento flexible. Aparato de aseguramiento principal en un sistema anticaídas.

Este producto no debe ser solicitado más allá de sus límites o en cualquier otra situación para la que no esté previsto.

Responsabilidad

ATENCIÓN

Las actividades que implican la utilización de este equipo son por naturaleza peligrosas.

Usted es responsable de sus actos, de sus decisiones y de su seguridad.

Antes de utilizar este equipo, debe:

- Leer y comprender todas las instrucciones de utilización.
- Formarse específicamente en el uso de este equipo.
- Familiarizarse con su equipo y aprender a conocer sus prestaciones y sus limitaciones.
- Comprender y aceptar los riesgos derivados.

El no respeto de una sola de estas advertencias puede ser la causa de lesiones graves o mortales.

Este producto sólo debe ser utilizado por personas competentes y responsables, o que estén bajo el control visual directo de una persona competente y responsable. Usted es responsable de sus actos, de sus decisiones y de su seguridad y asume las consecuencias de los mismos. Si usted no está dispuesto a asumir esta responsabilidad o si no ha comprendido bien las instrucciones de utilización, no utilice este equipo.

2. Nomenclatura

(1) Cuerpo, (2) Manilla, (3) Tornillo, (4) Eje de conexión, (5) Casquillo, (6) Topes, (7) Brazo, (8) Eje del brazo, (9) Rueda bloqueadora, (10) Botón de bloqueo, (11) STRING. Materiales principales: aleación de aluminio (cuerpo y brazo), acero inoxidable (rueda y manilla), poliéster y poliamida (cuerdas).

3. Control, puntos a verificar

Su seguridad está vinculada a la integridad de su equipo.

Petzl aconseja que una persona competente realice una revisión en profundidad al menos cada 12 meses (en función de la legislación en vigor en su país y de las condiciones de utilización). Atención: la intensidad de su utilización le puede llevar a revisar su EPI con más frecuencia. Respete los modos operativos descritos en Petzl.com. Registre los resultados en la ficha de revisión del EPI: tipo, modelo, nombre y dirección del fabricante, número de serie o número individual, fechas: fabricación, compra, primera utilización, próximos controles periódicos, defectos, observaciones, nombre y firma del inspector.

Antes de cualquier utilización

ASAP LOCK: compruebe la correcta instalación del absorbedor en la manilla y el apriete del tornillo.

Compruebe la ausencia de fisuras, marcas, deformación, desgaste y corrosión (en el cuerpo, rueda, brazo y manilla). Compruebe el apretado del tornillo (instalación correcta, ausencia de holgura...).

Compruebe el estado de los topes y la eficacia de su muelle de retorno.

Compruebe que el brazo pivota alrededor del eje así como la eficacia del muelle de retorno. Compruebe la limpieza de la rueda y el desgaste de los dientes. Atención: si faltan uno o varios dientes, deje de utilizar el ASAP LOCK.

Si los dientes están sucios, consulte el apartado Mantenimiento y limpieza. Compruebe que, durante una vuelta completa en los dos sentidos, la rotación de la rueda se produce sin brusquedad.

Cuerda: compruebe el estado de la cuerda según las indicaciones del fabricante. La cuerda debe desecharse si ha detenido una caída, si el alma parece deformada o si la funda está dañada o manchada.

Durante la utilización

Es importante controlar regularmente el estado del producto y de sus conexiones con los demás equipos del sistema. Asegúrese del correcto posicionamiento de los equipos entre sí.

Atención a los objetos extraños que puedan obstaculizar el apoyo de la rueda bloqueadora sobre la cuerda y su rotación. Proteja el ASAP LOCK de las salpicaduras durante el trabajo (pintura, cemento...). Asegúrese de que la rueda bloqueadora siempre esté en contacto con la cuerda.

4. Compatibilidad

Compruebe la compatibilidad de este producto con los demás elementos del sistema en su aplicación (compatibilidad = interacción funcional correcta).

Los elementos utilizados con el ASAP LOCK deben ser conformes con las normas en vigor en su país (ejemplo, arneses EN 361 en Europa...).

Arnés:

Conecte el absorbedor de energía del ASAP LOCK al punto de enganche anticaídas del arnés.

Elemento de amarre absorbedor de energía:

Utilice el ASAP LOCK únicamente con los absorbedores de energía Petzl compatibles: - ASAP SORBER 20 y 40. - ASAP SORBER AXESS.

El absorbedor de energía no se debe alargar (como máximo un conector: longitud 12 cm máximo).

Cuerda, utilización EN 12841 tipo A:

Utilice el ASAP LOCK con cuerdas semiestáticas (alma + funda) EN 1891 tipo A de 10 a 13 mm de diámetro.

Cuerdas ensayadas para obtener la certificación UE EN 12841 tipo A:

- Petzl CLUB 10 mm.
- Teufelberger KM III 13 mm.

Cuerda, utilización EN 353-2:

Utilice el ASAP LOCK únicamente con las cuerdas ensayadas para obtener la certificación UE EN 353-2: 2002:

- Petzl PARALLEL 10,5 mm.
- Petzl AXIS 11 mm.
- Petzl ASAP AXIS 11 mm.

5. Principio de funcionamiento

A velocidad moderada, la rueda bloqueadora gira libremente en los dos sentidos. Debido a un movimiento rápido hacia abajo, la rotación de la rueda bloqueadora se detiene, y la cuerda queda bloqueada por pinzamiento entre la rueda y el cuerpo.

Función de bloqueo: la función de bloqueo integrada permite al usuario inmovilizar el aparato para reducir la altura de la caída.

6. Colocación y prueba de funcionamiento del ASAP LOCK

Preparación:

Utilice únicamente el tornillo de origen del ASAP LOCK. Aplique fijatornillos en el tornillo antes del montaje.

Instale el absorbedor de energía y cierre de nuevo la manilla. Apriete y compruebe la correcta colocación del eje y el apriete del tornillo.

Con el fin de asegurar el funcionamiento correcto de su aparato, el tornillo debe estar instalado correctamente y apretado con el par indicado. Solo la utilización de una llave dinamométrica permite comprobar que el par de apriete obtenido sea correcto.

Conexión al arnés:

Conexión frecuente: utilice un conector EN 362 con bloqueo de seguridad TRIACT-LOCK con un sistema de sujeción en el eje mayor (STRING, CAPTIV...).

Conexión semipermanente: utilice un conector semipermanente, cerrado con un útil (RING OPEN, SWIVEL OPEN, maillón...).

Instalación: abra los topes para posicionar la cuerda en el cuerpo, vuelva a cerrar los topes para que la rueda bloqueadora contacte con la cuerda.

Atención: el ASAP LOCK es direccional, bloquea en un sólo sentido. Peligro de muerte si el ASAP LOCK está colocado al revés en la cuerda.

Efectúe una prueba de funcionamiento cada vez que lo instale.

Desbloqueo: después de la prueba de funcionamiento, desbloquee la rueda mediante un deslizamiento normal por la cuerda.

Función de bloqueo: utilice el botón de bloqueo de la rueda para impedir que el ASAP LOCK descienda por la cuerda. Atención: en caso de suspensión accidental sobre el ASAP LOCK bloqueado, el desbloqueo no puede realizarse bajo carga.

7. Precauciones de utilización

Posibilidad de realizar un tope de detención realizando un nudo en la cuerda.

Compruebe regularmente la correcta circulación de la cuerda en el ASAP LOCK, durante su progresión, para asegurarse de no crear una comba en la cuerda que podría aumentar la altura de la caída potencial.

Una sobrecarga dinámica puede deteriorar la cuerda. Si la cuerda del ASAP LOCK está cargada, el usuario debe proveerse de otro soporte de seguridad.

Utilización en plano inclinado:

Atención: en caso de resbalón con poca velocidad en una cubierta con poca pendiente, por ejemplo, el ASAP LOCK puede no activarse inmediatamente.

Asegúrese de realizar un nudo de detención en la cuerda en caso de riesgo de golpear contra un obstáculo.

8. Altura libre

La altura libre es la altura de seguridad mínima, por debajo del usuario, para que no choque contra un obstáculo en caso de caída.

La altura libre tiene en cuenta:

- La altura de la caída.
- La distancia de parada del ASAP LOCK.
- La longitud de desgarrar del absorbedor de energía.
- La altura media del usuario.
- Un margen de seguridad de 1 m.

La elasticidad de la cuerda (E) varía según la situación y debe ser añadida al cálculo de la altura libre.

Para más información, consulte los consejos técnicos del ASAP LOCK en Petzl.com. Los valores presentados se basan en estimaciones teóricas y en los ensayos de caída de una masa rígida.

En un sistema anticaídas, debe tener en cuenta la longitud de los conectores, ya que influye en la altura de la caída.

9. Mantenimiento y limpieza

Evite cualquier introducción de líquido en el mecanismo de la rueda bloqueadora.

Para la limpieza de los dientes de la rueda, no se recomienda utilizar disolvente, pero se puede aplicar con precaución, con un pincel, para evitar filtraciones en el mecanismo.

10. Información complementaria

Este producto es conforme al Reglamento (UE) 2016/425 relativo a los equipos de protección individual. La declaración de conformidad UE está disponible en Petzl.com.

- Prevea los medios de rescate necesarios para intervenir rápidamente en caso de dificultades.

- El anclaje del sistema tiene que estar situado, preferentemente, por encima de la posición del usuario y debe cumplir con las exigencias de la norma EN 795 (resistencia mínima 12 kN).

- En un sistema anticaídas y antes de cualquier utilización, es esencial comprobar la altura libre requerida por debajo del usuario para evitar cualquier colisión con el suelo o con un obstáculo en caso de caída.

- Asegúrese de que el punto de anclaje esté colocado correctamente para así limitar el riesgo y la altura de la caída.

- Un arnés anticaídas es el único dispositivo de presión del cuerpo que está permitido utilizar en un sistema anticaídas.

- Un peligro puede sobrevenir cuando se utilizan varios equipos en los que la función de seguridad de uno de los equipos puede verse afectada por la función de seguridad de otro equipo.

- ATENCIÓN PELIGRO: procure que sus productos no rocen con materiales abrasivos o piezas cortantes.

- Los usuarios deben ser aptos desde el punto de vista médico para las actividades en altura. ATENCIÓN: estar suspendido e inerte en un arnés puede provocar problemas fisiológicos graves o la muerte.

- Deben ser respetadas las instrucciones de utilización definidas en las fichas técnicas de cada equipo asociado a este producto.

- Las instrucciones de utilización deben entregarse al usuario de este equipo en el idioma del país de utilización.

- Conserve las instrucciones de utilización archivadas permanentemente para poder consultarlas tras haberlas retirado de su equipo.

- Asegúrese de la legibilidad de los marcados en el producto.

Dar de baja:

ATENCIÓN: un suceso excepcional puede llevarle a dar de baja un producto después de una sola utilización (tipo e intensidad de utilización, entorno de utilización: ambientes agresivos, ambientes marinos, aristas cortantes, temperaturas extremas, productos químicos...).

Un producto debe darse de baja cuando:

- Ha superado su vida útil.
- Ha sufrido una caída o un esfuerzo importante.
- El resultado de las revisiones del producto no es satisfactorio. Duda de su fiabilidad.
- No conoce el historial completo de utilización (por ejemplo, un marcado en el producto ilegible).
- Cuando su utilización es obsoleta (evolución legislativa, normativa, técnica o incompatibilidad con otros equipos...).

Destruya estos productos para evitar una utilización futura.

Pictogramas:

A. Vida útil ilimitada - B. Temperaturas toleradas - C. Precauciones de utilización - D. Limpieza/desinfección - E. Secado - F. Almacenamiento/transporte - G. Mantenimiento - H. Modificaciones/repares prohibidas fuera de los talleres de Petzl, excepto las piezas de recambio - I. Preguntas/contacto

Garantía 3 años

Contra cualquier defecto del material o de fabricación. Se excluye: el desgaste normal, la oxidación, las modificaciones o retoques, el almacenamiento incorrecto, el mantenimiento incorrecto, las negligencias y las utilidades para las que este producto no está destinado.

Señales de advertencia

1. Situación que presenta un riesgo inminente de lesión grave o mortal. 2. Exposición a un riesgo potencial de incidente o de lesión. 3. Información importante sobre el funcionamiento o las prestaciones de su producto. 4. Incompatibilidad material.

Trazabilidad y marcado

a. Conforme a los requisitos del Reglamento EPI. Organismo notificado para el examen UE de tipo - b. Número del organismo notificado para el control de la producción de este EPI - c. Trazabilidad: datamatrix - d. Compatibilidad de las cuerdas - e.

Número individual - f. Año de fabricación - g. Mes de fabricación - h. Número de lote - i. Identificador individual - j. Normas - k. Lea atentamente la ficha técnica - l.

Identificación del modelo - m. Carga nominal máxima - n. Organismo de certificación ANSI/ASSP - o. Dirección del fabricante

Esta notícia técnica explica como utilizar correctamente o seu equipamento. Somente algumas das utilizações e técnicas são apresentadas.

Os avisos de alerta informam de alguns perigos potenciais ligados à utilização do equipamento, porém é impossível descrevê-los todos. Tome conhecimento das últimas actualizações e informações complementares em Petzl.com.

É responsável por tornar conhecimento de cada alerta e pela utilização correcta do seu equipamento. Qualquer má utilização deste equipamento pode originar perigos adicionais. Contacte a Petzl se tiver dúvidas ou dificuldades de compreensão.

1. Campo de aplicação

Equipamento de protecção individual (EPI) contra quedas em altura.

ASAP LOCK: antiequedas móvel em corda com função de bloqueio

EN 12841 tipo A: dispositivo de ajuste de corda para suporte de segurança. Aparelho de contra-segurança para sistema de acesso em cordas, a utilizar conjuntamente com um dispositivo de progressão do tipo B ou C.

EN 353-2: antiequedas móvel para suporte de segurança flexível. Aparelho de segurança principal num sistema de travamento de quedas.

Este produto não deve ser utilizado para além dos seus limites ou em qualquer outra situação para a qual não tenha sido previsto.

Responsabilidade

ATENÇÃO

As actividades que implicam a utilização deste produto são por natureza perigosas.

Você é responsável pelos seus actos, pelas suas decisões e pela sua segurança.

Antes de utilizar este equipamento, deve:

- Ler e compreender todas as instruções de utilização.
- Formar-se especificamente para a utilização deste equipamento.
- Familiarizar-se com o seu equipamento, aprender a conhecer as suas performances e limitações.
- Compreender e aceitar os riscos inerentes.

O desrespeito de um só destes avisos poderá causar ferimentos graves ou mortais.

Este produto não deve ser utilizado senão por pessoas competentes e responsáveis, ou colocado sob o controlo visual directo de uma pessoa competente e responsável. Você é responsável pelos seus actos, pelas suas decisões, pela sua segurança e assume as consequências. Se você não se sentir apto a assumir essa responsabilidade, ou se não entendeu bem as instruções de utilização, não utilize este equipamento.

2. Nomenclatura

(1) Corpo, (2) Manilha, (3) Parafuso, (4) Eixo de conexão, (5) Espaçador, (6) Patilhas de segurança, (7) Braço, (8) Eixo do braço, (9) Tambor bloqueador, (10) Botão de bloqueio, (11) STRING.

Materiais principais: liga de alumínio (corpo, braço), aço inoxidável (tambor, manilha), políéster, poliamida (cordas).

3. Inspecção, pontos a verificar

A sua segurança está ligada à integridade do seu equipamento.

A Petzl aconselha uma verificação aprofundada, por uma pessoa competente, no mínimo a cada 12 meses (em função da legislação em vigor no seu país e das condições de utilização). Atenção, uma utilização intensa pode levá-lo a verificar com maior frequência o seu EPI. Respeite os modos de operação descritos em Petzl.com. Registe os resultados na ficha de inspecção do seu EPI: tipo, modelo, coordenadas do fabricante, número de série ou número individual, datas: de fabrico, aquisição, primeira utilização, próximas inspecções periódicas, defeitos, observações, nome e assinatura do controlador.

Antes de qualquer utilização

ASAP LOCK: certifique-se sobre a boa instalação do absorvedor na manilha e o fecho do parafuso.

Verifique a ausência de fissuras, marcas, deformações, desgaste, corrosão (no corpo, roldana, braço e manilha). Verificar o aperto do parafuso (instalação correcta, sem folga...).

Verifique o estado da patilha de segurança e a eficácia da sua mola de retorno.

Verifique a rotação do braço em torno do eixo e a eficácia da mola de retorno.

Verifique a limpeza do tambor e o desgaste dos dentes. Atenção, se um ou mais dentes estiverem ausentes, não utilize o ASAP LOCK.

Se os dentes estiverem sujos, consulte o parágrafo de Limpeza, manutenção. Verifique que a rotação do tambor se faz sem solavancos, numa volta completa nos dois sentidos.

Corda: verifique o estado da corda de acordo com as indicações do fabricante. A corda deve ser descartada se tiver sofrido uma queda, se a alma parecer deformada ou se a capa estiver danificada ou manchada.

Durante a utilização

É importante controlar regularmente o estado do produto e as suas conexões com os outros equipamentos do sistema. Assegure-se do posicionamento correcto dos equipamentos uns em relação aos outros.

Cuidado com os objectos estranhos que possam impedir o apoio do tambor

bloqueador na corda e a sua rotação. Proteja o seu ASAP LOCK das projeções de material durante o trabalho (tinta, cimento...). Assegure-se que o tambor bloqueador esteja sempre em contacto com a corda.

4. Compatibilidade

Verifique a compatibilidade deste produto com os outros elementos do sistema na sua aplicação (compatibilidade = boa interação funcional).

Os elementos utilizados com o seu ASAP LOCK devem estar conformes com as normas em vigor no seu país (exemplo anexas EN 361 na Europa...).

Arnês:

Conecte o absorvedor de energia do seu ASAP LOCK ao ponto de fixação anti quedas do seu arnês.

Longe absorvedora de energia:

Utilize o ASAP LOCK unicamente com os absorvedores de energia Petzl compatíveis:

- ASAP[®]SORBER 20 e 40.

- ASAP[®]SORBER AXESS.

O absorvedor de energia não deve ser aumentado (no máximo um conector:

comprimento de 12 cm no máximo).

Corda, utilização EN 12841 tipo A:

Utilize o ASAP LOCK com cordas semi-elásticas (alma + capa) EN 1891 tipo A de 10 a 13 mm de diâmetro.

Cordas testadas durante a certificação UE EN 12841 tipo A:

- Petzl CLUB 10 mm.

- Teufelberger KM III 13 mm.

Corda, utilização EN 353-2:

Utilize o ASAP LOCK unicamente com as cordas testadas durante a certificação UE EN 353-2: 2002:

- Petzl PARALLEL 10.5 mm.

- Petzl AXIS 11 mm.

- Petzl ASAP[®]AXIS 11 mm.

5. Princípio de funcionamento

A uma velocidade moderada, o tambor bloqueador gira livremente nos dois sentidos. Durante um movimento rápido para baixo, a rotação do tambor bloqueador é travada, a corda é bloqueada pelo entalamento entre o tambor e o corpo.

Função de bloqueio: a função de bloqueio integrado permite ao utilizador imobilizar o aparelho no intuito de reduzir a altura da queda.

6. Montagem e teste de funcionamento do ASAP LOCK

Preparação:

Utilize unicamente o parafuso de origem do seu ASAP LOCK. Aplique cola trava-rosca no seu parafuso antes da montagem.

Instale o absorvedor de energia e volte a fechar a manilha. Aperte, verifique o bom posicionamento do eixo e do aperto do parafuso.

Para assegurar o bom desempenho do seu aparelho, o parafuso deve estar instalado

correctamente e apertado com o torque indicado. Apenas com a utilização de uma chave dinamométrica pode verificar se o torque obtido é o correcto.

Conexão ao arnês:

Conexão frequente: utilize um conector EN 362 com segurança TRIACT-LOCK com um sistema de posicionamento ao longo do seu eixo maior (STRING, CAPTIV...).

Conexão semi-permanente: utilize um conector semi-permanente, fechado com uma ferramenta (RING OPEN, SWIVEL OPEN, maillon rapide...).

Instalação: abra a patilha de segurança para posicionar a corda no corpo, volte a fechar a patilha de segurança para que o tambor bloqueador possa trabalhar sobre a corda.

Atenção, o ASAP LOCK é direccional, bloqueia só num sentido. Perigo de morte se o ASAP LOCK for posicionado ao contrário na corda.

Efectue um teste de funcionamento em cada instalação.

Desbloqueio: após o teste de funcionamento, desbloqueie o tambor para um deslizamento normal na corda.

Função de bloqueio: utilize o botão de bloqueio do tambor bloqueador para impedir o deslizamento do ASAP LOCK na corda para baixo. Atenção, em caso de suspensão accidental no ASAP LOCK bloqueado, o desbloqueamento não pode ser efectuado sob carga.

7. Precauções de utilização

Possibilidade de realizar um limitador de curso realizando um nó na corda.

Verifique regularmente o bom deslizamento da corda no ASAP LOCK, durante a sua progressão, para se assegurar que não cria uma folga na corda que poderia aumentar a altura de queda potencial.

Uma sobrecarga dinâmica pode danificar a corda. Se a corda do ASAP LOCK estiver carregada, o utilizador deve munir-se doutro suporte de segurança.

Utilização num plano inclinado:

Atenção, se escorregar a fraca velocidade num telhado pouco inclinado, por exemplo, o ASAP LOCK pode não activar imediatamente. Queira realizar um nó de travamento em caso de risco de bater num obstáculo.

8. Zona livre desimpedida

A zona livre desimpedida é a altura mínima sob o utilizador, para que não embata em nenhum obstáculo em caso de queda.

A zona livre desimpedida de queda leva em conta:

- A altura da queda.

- A distância de travamento do ASAP LOCK.

- O comprimento do absorvedor de energia após deflagrada a ruptura.

- A altura média do utilizador.

- Uma margem de segurança de 1 m.

A elasticidade da corda (E) varia de acordo com a situação e deve ser adicionada no cálculo da zona livre desimpedida.

Para mais informações: consulte os conselhos técnicos ASAP LOCK em Petzl.com. Os valores apresentados são baseados em estimativas teóricas e em testes de queda de peso rígido.

No sistema antiequedas, leve em conta o comprimento dos conectores que influencia a altura da queda.

9. Limpeza, manutenção

Evite qualquer introdução de líquido no mecanismo do tambor bloqueador.

Para a limpeza dos dentes do tambor, a utilização de solventes não é recomendada, mas é possível aplicar com precauções, com um pincel, para evitar que escorra para o mecanismo.

10. Informações complementares

Este produto está conforme o regulamento (UE) 2016/425 relativamente aos equipamentos de protecção individual. A declaração de conformidade UE está disponível em Petzl.com.

- Preveja os meios de resgate necessários para intervir rapidamente em caso de dificuldades.

- A amarração do sistema deve estar de preferência situada acima da posição do utilizador e responder às exigências EN 795 (resistência mínima 12 kN).

- Num sistema antiequedas, é essencial verificar o espaço livre necessário sob o utilizador, antes de cada utilização, afim de evitar qualquer colisão com o solo ou com um obstáculo, em caso de queda.

- Certifique-se que o ponto de amarração esteja correctamente posicionado, afim de limitar o risco e a altura de queda.

- Um arnês antiequedas é o único dispositivo de preensão do corpo que é permitido utilizar num sistema antiequedas.

- Pode ocorrer uma situação perigosa quando se utilizam vários equipamentos em que a função de segurança de um dos equipamentos pode ser afectada pela função de segurança de outro equipamento.

- ATENÇÃO PERIGO, verifique que os produtos não sejam sujeitos a atritos com materiais abrasivos ou peças cortantes.

- Os utilizadores devem estar clinicamente aptos para as actividades em altura. ATENÇÃO, estar suspenso e inerte num arnês pode desencadear perturbações fisiológicas graves ou a morte.

- As instruções de utilização definidas nos informativos de cada equipamento associado a este produto devem ser respeitadas.

- As instruções de utilização devem ser fornecidas ao utilizador deste equipamento no idioma do país de utilização.

- Guarde as instruções de utilização num dossier permanente para poder consultá-las depois de as ter retirado do seu equipamento.

- Assegure-se da legibilidade das marcações no produto.

Descartar um equipamento:

ATENÇÃO, uma ocorrência excepcional pode levar ao descarte de um produto após uma só utilização (tipo e intensidade de utilização, ambiente de utilização: ambientes agressivos, ambientes marinhos, arestas cortantes, temperaturas extremas, produtos químicos...).

Um produto deve ser descartado quando:

- Ultrapassou o seu tempo de vida útil.

- Foi sujeito a uma queda ou a um esforço importante.

- O resultado das verificações do produto não for satisfatório. Tiver uma dúvida sobre a sua fiabilidade.

- Não conhece o seu histórico de utilização completo (por exemplo, uma marcação de um produto ilegível).

- Quando a sua utilização for obsoleta (evolução legislativa, normativa, técnica ou incompatibilidade com outros equipamentos...).

Destrua esses produtos para evitar uma futura utilização.

Pictogramas:

A. Duração de vida ilimitada - B. Temperaturas toleradas - C. Precauções de utilização - D. Limpeza/desinfecção - E. Secagem - F. Armazenamento/transporte - G. Manutenção - H. Modificações/reparações (interditas fora das oficinas Petzl salvo peças sobresselentes) - I. Questões/contacto

Garantia 3 anos

Contra qualquer defeito de material ou fabrico. Estão excluídos: desgaste normal, oxidação, modificações ou retoques, mau armazenamento, má manutenção, negligências, utilizações para as quais este produto não está destinado.

Avisos de alerta

1. Situação que apresenta risco iminente de ferimento grave ou mortal. 2. Exposição a um risco potencial de incidente ou ferimento. 3. Informação importante sobre o funcionamento ou as performances do seu produto. 4. Incompatibilidade de materiais.

Rastreio e marcações

a. Conforme às exigências do regulamento EPI. Organismo notificado interveniente para o exame UE de tipo - b. Número do organismo notificado para o controlo de produção deste EPI - c. Rastreio: datamatrix - d. Compatibilidade cordas - e. Número individual - f. Ano de fabrico - g. Mês de fabrico - h. Número de lote - i. Identificador individual - j. Normas - k. Ler atentamente a informação técnica - l. Identificação do modelo - m. Carga nominal máxima - n. Organismo de certificação ANSI/ASSP - o.

Endereço do fabricante

In deze bijsluiter wordt uitgelegd hoe u uw materiaal juist moet gebruiken. Er komen hierin slechts enkele technieken en toepassingen aan bod. De waarschuwingborden geven u bepaalde mogelijke gevaren aan rond het gebruik van uw materiaal, maar we kunnen hier uiteraard niet alles behandelen. Lees daarom de nieuwste updates en aanvullende info op Petzl.com. U bent zelf verantwoordelijk om met elke waarschuwing rekening te houden en uw materiaal juist te gebruiken. Elk verkeerd gebruik van dit materiaal zal aan de oorsprong liggen van bijkomende gevaren. Neem bij twijfel of onduidelijkheden contact op met Petzl.

1. Toepassingsveld

Persoonlijk beschermingsmiddel (PBM) tegen hoogtevallen.

ASAP LOCK: mobiele antivalbeveiliging op touw met blokkeerfunctie

EN 12841 type A: regelapparaat voor veiligheidsstouwen. Bijkomend verzekeringsapparaat voor toegangssysteem op touwen, te gebruiken in combinatie met een voortbewegingsapparaat type B of C. EN 353-2: mobiele antivalbeveiliging voor flexibele valbeveiliging. Belangrijkste zekeringssystemen in een valstopstelsel. Dit product mag niet méér belast worden dan toegelaten en mag niet gebruikt worden in situaties waarvoor het niet bedoeld is.

Verantwoordelijkheid

LET OP

De activiteiten die het gebruik van deze uitrusting vereisen, zijn van nature gevaarlijk.

U staat zelf in voor uw daden, beslissingen en veiligheid.

Voordat u deze uitrusting gebruikt, moet u:

- Alle gebruiksinstructies lezen en begrijpen.
- Een aangepaste training volgen voor het gebruik van deze uitrusting.
- Zich vertrouwd maken met uw uitrusting, en de prestaties en beperkingen ervan leren kennen.

- De inherente risico's begrijpen en aanvaarden.

Het niet-respecteren van een van deze waarschuwingen kan leiden tot ernstige of dodelijke verwondingen.

Dit product mag enkel gebruikt worden door (personen die onder direct visueel toezicht staan van) bevoegde en beraden personen.

U staat zelf in voor uw daden, beslissingen en veiligheid, en neemt dan ook persoonlijk de gevolgen op zich. Indien u niet in staat bent om deze verantwoordelijkheid op u te nemen of de gebruiksinstructies niet goed begrepen hebt, gebruik deze uitrusting dan niet.

2. Terminologie van de onderdelen

(1) Body, (2) Verbindingsarm, (3) Schroef, (4) Verbindingsas, (5) Tussenstuk, (6) Pallen, (7) Arm, (8) Arm-as, (9) Blokkeerschijf, (10) Blokkeerknop, (11) STRING.

Voornaamste materialen: aluminiumlegering (body, arm), roestvrij staal (schijf, verbindingsarm), polyester, polyamide (touwen).

3. Check: te controleren punten

Uw veiligheid is afhankelijk van uw volledige uitrusting.

Petzl beveelt op zijn minst een grondige 12-maandelijkse controle door een bevoegd persoon aan (conform de geldende normen in uw land en de omstandigheden waarin u het product gebruikt). Let op: een intensiever gebruik kan ervoor zorgen dat u uw PBM vaker moet controleren. Leef de gebruiksregels na zoals vermeld op Petzl.com. Vermeld de resultaten op de fiche van uw PBM: type, model, gegevens van de fabrikant, serienummer of individueel nummer, data van fabricage, aankoop, eerste ingebruikneming, volgende periodieke nazichten; gebreken, opmerkingen, naam en handtekening van de controleur.

Vóór elk gebruik

ASAP LOCK: controleer of de absorber goed geïnstalleerd is op de verbindingsarm en of de schroef stevig vast zit.

Controleer op afwezigheid van scheuren, vlekken, vervormingen, slijtage, corrosie (op de body, schijf, arm, verbindingsarm). Controleer dat de schroef goed aangedraaid is (juiste plaatsing, geen speling ...)

Controleer de staat van de kammen en de werking van de terugslagveer.

Controleer of de arm goed rond de as draait en of de terugslagveer goed werkt.

Controleer de schijf op netheid en de tanden op slijtage. Let op: als er een of meer tanden ontbreken, gebruik de ASAP LOCK dan niet meer.

Ga in het geval van vervulde tanden naar het hoofdstuk Reiniging, onderhoud.

Controleer of de schijf mooi gelijkmatig draait, over een volledige toer in beide richtingen.

Touw: controleer de staat van het touw conform de richtlijnen van de fabrikant. Het touw moet afgekeurd worden als hij een val heeft afgeremd, als de kern aangetast blijkt of als de mantel beschadigd of bevuild is.

Tijdens het gebruik

Het is belangrijk om regelmatig de staat van het product te controleren, alsook zijn verbindingen met de andere onderdelen van het systeem. Zorg ervoor dat alle elementen goed geplaatst zijn ten opzichte van elkaar.

Let op voor vreemde elementen die de steun van de blokkeerschijf op het touw en de rotatie ervan kunnen belemmeren. Bescherm uw ASAP LOCK tegen projecties tijdens het werken (verf, cement ...). Zorg ervoor dat de blokkeerschijf altijd op het touw grijpt.

4. Verenigbaarheid

Gelieve na te zien of dit product compatibel is met de andere elementen van het systeem in uw toepassing (compatibiliteit = een goede functionele interactie).

De elementen die u samen met uw ASAP LOCK gebruikt, moeten voldoen aan de normen die van kracht zijn in uw land (bv. gordel EN 361 in Europa).

Gordel:

Verbind de energieabsorber van uw ASAP LOCK met het antivalbindpunt van uw gordel.

Leeflijn met energieabsorber:

Gebruik de ASAP LOCK enkel met de compatibele energieabsorbers van Petzl:

- ASAP SORBER 20 en 40.

- ASAP SORBER AXESS.

De energieabsorber mag niet verlend worden (maximaal één karabiner: lengte maximaal 12 cm).

Touw, gebruik EN 12841 type A:

Gebruik de ASAP LOCK met semistatische touwen (kern + mantel) EN 1891 type A met een diameter van 10 tot 13 mm.

Touwen getest voor de EU EN 12841 type A certificering:

- Petzl CLUB 10 mm.

- Teufelberger KM III 13 mm.

Touw, gebruik EN 353-2:

Gebruik de ASAP LOCK enkel met de touwen die voor de EU EN 353-2: 2002

certificatie getest werden:

- Petzl PARALLEL 10,5 mm.

- Petzl AXIS 11 mm.

- Petzl ASAP AXIS 11 mm.

5. Werkingsprincipe

Op een gematigde snelheid draait de blokkeerschijf vrij in beide richtingen. Bij een snelle beweging naar beneden wordt de rotatie van de blokkeerschijf gestopt: het touw wordt vastgeklemd tussen de schijf en body, en wordt geblokkeerd.

Blokkeerfunctie: met de geïntegreerde blokkeerfunctie kan de gebruiker het apparaat immobiliseren om de hoogte van de val te beperken.

6. Installatie en werkingstest van de ASAP LOCK

Vorbereiding:

Gebruik enkel de originele schroef van uw ASAP LOCK. Voorzie uw schroef van

remdraad voordat u hem begint te monteren.

Installeer de energieabsorber en sluit de verbindingsarm. Span aan en controleer of de as goed gepositioneerd is en of de schroef stevig vast zit.

Voor een juiste prestatie van uw apparaat moet de schroef juist geplaatst zijn en op de vermelde kracht aangespannen zijn. U kunt de aanspanningskracht enkel met een dynamometrische sleutel controleren.

Verbinding met de gordel:

Frequente verbinding: gebruik een karabiner EN 362 met TRIACT-LOCK vergrendeling

met een positioneringssysteem in de richting van zijn lange as (STRING, CAPTIV ...). Semipermanente verbinding: gebruik een semipermanente karabiner die met een tool gesloten wordt (RING OPEN, SWIVEL OPEN, snelschakel ...).

Installatie: open de pallen om het touw in de body te plaatsen en sluit ze zodat de blokkeerschijf in het touw kan grijpen.

Let op: de ASAP LOCK is directioneel, hij blokkeert slechts in één richting. Er is levensgevaar als u de ASAP LOCK in de verkeerde richting op het touw aanbrengt.

Voer bij elke installatie een werkingstest uit.

Deblokkering: deblokkeer de schijf na de werkingstest zodat hij weer normaal op het touw glijdt.

Blokkeerfunctie: gebruik de blokkeerknop van de schijf om te verhinderen dat de ASAP LOCK naar beneden op het touw schuift. Let op: als u per ongeluk op de geblokkeerde ASAP LOCK hangt, is het niet mogelijk om het apparaat te deblokkeren onder spanning.

7. Gebruiksvoorschriften

Mogelijkheid om een stoppal te maken door een knoop in het touw te leggen. Ga tijdens uw vooruitgang regelmatig na of het touw goed in de ASAP LOCK glijdt zodat u zeker bent dat u geen lus met overtollig touw creëert, die de hoogte van een mogelijke val zou kunnen vergroten.

Een dynamische overbelasting kan het touw beschadigen. Als het touw van de ASAP LOCK al belast wordt, moet de gebruiker een ander veiligheidssysteem voorzien.

Gebruik op een hellend vlak:

Let op: wanneer u traag van bv. een niet zo hellend dak glijdt, is het mogelijk dat de ASAP LOCK niet onmiddellijk geactiveerd wordt. Leg daarom een stopknoop in het touw wanneer het risico bestaat dat u tegen iets aan botst.

8. Tirant d'air

De tirant d'air is de minimale ruimte die onder de gebruiker vrij moet blijven om elke botsing met een hindernis bij een val te vermijden.

Bij de berekening van de tirant d'air moet u rekening houden met:

- De hoogte van de val.
- De stopafstand van de ASAP LOCK.
- De uitschuuringslengte van de energieabsorber.
- De gemiddelde grootte van de gebruiker.
- Een veiligheidsmarge van 1 m.

De elasticiteit van het touw (E) varieert naargelang de situatie en moet bijgeteld worden in uw berekening van de tirant d'air.

Ga voor meer info naar de technische tips over de ASAP LOCK op Petzl.com.

De opgegeven waarden zijn gebaseerd op theoretische schattingen en valtests met stijve massa's.

Houd bij een valstopstelsel rekening met de lengte van de karabiners, want die beïnvloedt de valhoogte.

9. Reiniging, onderhoud

Vermijd dat er enige vloeistof in het mechanisme van de blokkeerschijf binnendringt. Voor de reiniging van de tanden van de schijf is het gebruik van een solvent niet aangeraden, maar u kunt het eventueel wel heel voorzichtig met een penseel aanbrengen zodat het niet in het mechanisme sijpelt.

10. Extra informatie

Dit product is conform de verordening (EU) 2016/425 betreffende persoonlijke beschermingsmiddelen. De EU-conformiteitsverklaring is beschikbaar op Petzl.com.

- Voorzie de nodige reddingsmogelijkheden om snel te kunnen reageren bij eventuele moeilijkheden.

- De verankering van het systeem bevindt zich bij voorkeur boven de positie van de gebruiker en moet voldoen aan de vereisten van de norm EN 795 (minimale weerstand van 12 kN).

- In een valstopstelsel is het van essentieel belang dat u vóór elk gebruik nagaat dat er onder de gebruiker de nodige vrije ruimte is, zodat elke botsing met de grond of een hindernis bij een val vermeden wordt.

- Zorg voor de juiste positionering van het verankeringspunt om het risico op en de hoogte van een val te beperken.

- In een valstopstelsel is enkel het gebruik van een antivalgordel toegelaten als verbinding naar het lichaam.

- Er kan zich een gevaar voordoen tijdens het gebruik van meerdere uitrustingen waarbij de veiligheidsfunctie van een van de apparaten kan beïnvloed worden door de veiligheidsfunctie van een ander apparaat.

- LET OP - GEVAAR: zie erop toe dat uw producten niet schuren over ruwe oppervlakken of scherpe randen.

- De gebruikers moeten medisch geschikt zijn voor activiteiten op hoogte. LET OP: onbeweeglijk hangen in een gordel kan ernstige fysiologische letsels of de dood veroorzaken.

- De gebruiksinstructies, bepaald in de bijsluiter van elke uitrusting geassocieerd met dit product, moeten worden gerespecteerd.

- De gebruiksinstructies moeten geleverd worden aan de gebruiker van deze uitrusting in de taal van het land van gebruik.

- Houd de gebruiksinstructies in een permanente map bij, zodat u deze later nog kunt raadplegen wanneer u ze van uw materiaal verwijderd hebt.

- Zorg ervoor dat de markeringen op het product goed leesbaar zijn.

Af schrijven:

LET OP: een uitzonderlijk voorval kan u ertoe brengen het product af te schrijven na één enkel gebruik (type en intensiteit van gebruik, gebruiksomgeving: agressieve milieu's, zeewater, scherpe randen, extreme temperaturen, chemische producten ...).

Een product moet worden afgeschreven wanneer:

- De levensduur overschreden is.
- Het een belangrijke val of belasting heeft ondergaan.
- Het resultaat van de controles van het product geen voldoening geeft. U twijfelt aan de betrouwbaarheid ervan.
- U zijn volledige gebruikshistoriek niet kent (bv. een onleesbare markering op het product).
- Het product in onbruik is geraakt (wijziging van de wetgeving, normen of technieken, onverenigbaarheid met de andere delen van de uitrusting ...).

Vernietig deze afgeschreven producten om een verder gebruik te vermijden.

Pictogrammen:

A. Onbeperkte levensduur - B. Toegelaten temperatuur - C. Gebruiksvoorschriften - D. Reiniging/desinfectie - E. Droging - F. Berging/transport - G. Onderhoud - H. Veranderingen/herstellingen (verboden buiten de Petzl ateliers, behalve voor vervangstukken) - I. Vragen/contact

3 jaar garantie

Voor fabricage- of materiaalfouten. Met uitzondering van: normale slijtage, oxidatie, veranderingen of aanpassingen, slechte berging, slecht onderhoud, nalatigheid of toepassingen waarvoor dit product niet bestemd is.

Waarschuwingborden

1. Situatie die een dreigend risico op een ernstige of dodelijke verwonding inhoudt.
2. Blootstelling aan een mogelijk risico op een incident of verwonding.
3. Belangrijke informatie over de werking of de prestaties van uw product.
4. Niet compatibel met ander materiaal.

Markering en tracering

a. Conform de vereisten van de verordening betreffende PBM's. Erkend keuringsorganisme dat zich uitspreekt over het EU type-examen - b. Nummer van de bevoegde instantie die de productie van dit PBM controleert - c. Tracering: datamatrix - d. Compatibiliteit touwen - e. Individueel nummer - f. Fabricagejaar - g. Fabricagejaar - h. Lotnummer - i. Individuele identificatie - j. Normen - k. Lees aandachtig de technische bijsluiter - l. Identificatie van het model - m. Maximale nominale last - n. Keuringsorganisme ANS/ASSP - o. Adres van de fabrikant

DK

Brugsanvisningen indeholder forklaringer på, hvordan udstyret anvendes korrekt. Kun enkelte anvendelser og teknikker er beskrevet.

Advarselskiltene informerer dig om nogle potentielle risici, som er forbundet med anvendelsen af udstyret, men det er umuligt at beskrive dem alle. Du kan finde opdateringer og flere oplysninger på Petzl.com.

Du er selv ansvarlig for at tage højde for alle advarslerne og anvende udstyret korrekt. En forkert anvendelse af udstyret kan forårsage yderligere risici. Kontakt Petzl, hvis du er i tvivl eller har svært ved at forstå brugsanvisningen.

1. Anvendelsesområde

Personligt værnemiddel (PV) anvendt til faldsikring.

ASAP LOCK: Mobil faldsikring til reb med låsefunktion

EN 12841 type A: Reguleringsanordning til sikkerhedsreb. Ekstra sikkerhedsudstyr til erhvervsiklating, som skal anvendes sammen med en klatreanordning af type B eller C. EN 353-2: Glidesystem med en fleksibel ankerline. Hovedkomponent i et faldsikringsystem.

Produktet må ikke overbelastes eller bruges til andre formål end det, produktet er bestemt til.

Ansvar

ADVARSEL

De aktiviteter, som indebærer anvendelse af dette udstyr, er forbundet med risici og er dermed farlige. Du er ansvarlig for dine egne handlinger, beslutninger og sikkerhed.

For anvendelse af dette udstyr, skal du:

- Læse og forstå alle instruktionerne i brugsanvisningen.
- Få specifik træning i korrekt anvendelse af udstyret.
- Blive bekendt med udstyret, dets ydeevne og begrænsninger.
- Forstå og acceptere risikoen forbundet med udstyret.

Manglende overholdelse af én eller flere af disse advarsler kan resultere i alvorlige kvæstelser eller dødsfald.

Udstyret bør kun benyttes af kompetente og erfarne personer, eller under direkte opsyn af en kompetent og erfarne person.

Du er ansvarlig for dine handlinger, beslutninger og sikkerhed, og du må påtage dig ansvaret for konsekvenserne heraf. Du må ikke bruge udstyret, hvis du ikke er i stand til at påtage dig dette ansvar, eller hvis du ikke forstår hele brugsanvisningen.

2. Fortegnelse over delene

(1) Ramme, (2) Gaffel, (3) Skrue, (4) Fastgørelsesbolt, (5) afstandsskiver, (6) Sikkerhedsstopper, (7) Arm, (8) Armens aksel, (9) Låsehjul, (10) Låseknop, (11) STRING. Hovedmaterialer: aluminiumslegering (ramme, arm), rustfrit stål (låsehjul, gaffel), polyester, polyamid (reb).

3. Kontrolpunkter

Din sikkerhed afhænger af, at udstyret er fuldstændig funktionsdygtigt.

Petzl anbefaler, at udstyret efterses indgående af en kompetent person mindst én gang hver 12. måned (i overensstemmelse med reglerne gældende i dit land og din anvendelse af produktet). Advarsel: Afhængig af brugens omfang kan du være nødt til at kontrollere dit personlige værnemiddel hyppigere. Fremgangsmåder beskrevet på Petzl.com bør overholdes. Registrer resultaterne i logbogen for dit personlige værnemiddel (PV): Udstyrstype, model, oplysninger om producenten, serienummer eller individuelt nummer, dato for: fremstilling, køb, første anvendelse, næste regelmæssige kontrolundersøgelser, fejl, bemærkninger, inspektørens navn og underskrift.

For enhver anvendelse

ASAP LOCK: Kontroller, at falddæmperen er fastgjort korrekt på gaffen, og at skruen er spændt tilstrækkeligt.

Kontroller, at der ikke er revner, mærker, deformationer, slitagespor og korrosion på ramme, låsehjul, arm og gaffel. Kontroller, at skruen er spændt ordentligt (korrekt montering, ingen slør, osv.).

Kontroller, at sikkerhedsstopperne er i god stand, og at deres returfeder fungerer effektivt.

Kontroller, at armen drejer rundt om akslen, og at returfederen fungerer effektivt. Kontroller, at låsehjulet er rent, og at tænderne ikke er nedslidte. Advarsel: Anvend ikke ASAP LOCK, hvis én eller flere af tænderne mangler.

Hvis tænderne er beskadjete, se afsnit om rengøring og vedligeholdelse. Kontroller, at låsehjulet kan rotere en hel omgang i begge retninger uden at stoppe.

Reb: Kontroller rebets tilstand i overensstemmelse med producentens instrukser. Reb skal skiftes ud, hvis det har standset et fald, kernen ser beskadiget ud, og strampen er ødelagt eller plettet.

Under anvendelsen

Det er vigtigt, at produktets tilstand og forbindelser til andet udstyr fra sikringssystemet kontrolleres regelmæssigt. Kontroller, at delene i udstyret sidder rigtigt i forhold til hinanden.

Hold det fri for fremmedlegemer, som kan forhindre, at låsehjulet kan støtte på rebet og køre rundt. Beskyt ASAP LOCK mod sprøjt (maling, cement, osv.) under arbejdet. Tjek, at låsehjulet altid er i kontakt med rebet.

4. Kompatibilitet

Kontroller, at produktet er foreneligt med det øvrige udstyr fra sikringsystemet for den valgte aktivitet (forenelighed = de benyttede værnemidler fungerer godt indbyrdes).

Det udstyr, som anvendes sammen med ASAP LOCK, skal opfylde de gældende standarder i dit land (f.eks. EN 361 selver i Europa).

Sele:

Fastgør ASAP LOCK falddæmperen til selet ved faldsikrings fastgørelsespunkt.

Sikkerhedsline med falddæmper:

Brug ASAP LOCK udelukkende med kompatible Petzl falddæmpere:

- ASAP[®]SORBER 20 og 40.
- ASAP[®]SORBER AXESS.

Falddæmperen må ikke forlænges (kun ét forbindelsesled: længde på maks. 12 cm).

Anvendelse af reb i henhold til EN 12841 type A:

Anvend ASAP LOCK med EN 1891 type A semistatiske 10-13 mm reb (kerne + strømpe).

Reb, som er testet ved certificering i henhold til EU EN 12841 type A:

- Petzl CLUB 10 mm.
- Teufelberger KM III 13 mm.

Anvendelse af reb i henhold til EN 353-2:

Brug udelukkende ASAP LOCK med reb, som er testet ved certificering i henhold til EU EN 353-2: 2002:

- Petzl PARALLEL 10,5 mm.
- Petzl AXIS 11 mm.
- Petzl ASAP[®]AXIS 11 mm.

5. Arbejdsprincip

Ved moderat hastighed roterer låsehjulet frit i begge retninger. Ved en hastig nedadgående bevægelse vil låsehjulets rotation stoppe: Rebet er klæmt mellem låsehjulet og rammen.

Låsefunktion: Med den indbyggede låsefunktion kan brugeren blokere udstyret for at reducere faldlængden.

6. Montering og funktionstest af ASAP LOCK

Forberedelse:

Anvend udelukkende originalskruen fra ASAP LOCK. Brug låsevæske på skruen før montering.

Monter falddæmperen og lås gaffen. Spænd skruen og kontroller, at akslen er i korrekt position og at skruen er spændt ordentligt.

For at sikre udstyrets ydeevne skal skruen monteres korrekt og være fastspændt efter det angivne tilspændingsmoment. Anvend en momentnøgle for at kontrollere, at det opnåede tilspændingsmoment er korrekt.

Fastgørelse til selet:

For regelmæssig forbindelse: Anvend en EN 362 TRIACT-LOCK låselig karabin med et positioneringssystem i længderetningen (type STRING, CAPTIV, osv.)

For delvis permanent fastgørelse: Anvend et semi-permanent forbindelsesled, som lukkes med et værktøj (RING OPEN, SWIVEL OPEN, skrueløst, eller lignende).

Montering: Åbn sikkerhedsstopperne, sæt rebet ind i rammen, og luk derefter sikkerhedsstopperne, således at låsehjulet er i kontakt med rebet.

Vær opmærksom på, at ASAP LOCK er retringsbestemt. Den låser kun i én retning. Det er livsfarligt, hvis ASAP LOCK placeres omvendt på rebet.

Udfør en funktionstest ved hver montering.

Frigørelse: Når funktionstesten er udført, skal låsehjulet frigøres, så det kan bevæge sig frit på rebet.

Låsefunktion: Brug hjulets låseknop for at forhindre ASAP LOCK i at bevæge sig ned ad rebet. Advarsel: I tilfælde hvor man bliver hængende i en låst ASAP LOCK, kan denne ikke låses op, mens den er under belastning.

7. Forholdsregler for brug

Mulighed for at lave en stopklods ved at binde en knude på rebet.

Kontroller jævnligt, at rebet glider fint gennem ASAP LOCK mens du klatrer, så du undgår, at der kommer slæk i rebet og at faldhøjden herved øges.

Dynamisk overbelastning kan beskadige rebet. Hvis rebet i ASAP LOCK er belastet, skal brugeren have et ekstra sikkerhedsreb tilgængelig.

Anvendelse på en skråning:

Advarsel: Ved langsom glidning på tage, som ikke er særlig stejle, kan det ske, at ASAP LOCK ikke straks udløses. Bind en stopknode på rebet, hvis der er en risiko for at støde imod en forhindring.

8. Frihøjde

Frihøjde er den minimale frie højde mellem faldsikringsystemet og forhindringer/ underlaget under brugeren, som kræves for at forhindre brugeren i at støde imod forhindringer/underlaget i tilfælde af fald.

Frihøjden tager hensyn til:

- Faldlængde.
- ASAP LOCK stolplængde.
- Længden på faldsæmperens afrevne søm.
- Brugers gennemsnitlige højde.
- En sikkerhedsmargin på 1 m.

Elasticiteten i rebet (E) kan variere afhængig af situationen og skal tages i betragtning, når du beregner frihøjden.

Du kan finde mere information i ASAP LOCK teknisk vejledning på Petzl.com.

De angivne værdier er baseret på teoretiske beregninger og faldtest, som er gennemført med en fast masse.

I et faldsikringsystem skal længden på forbindelsesledene, som har en betydning for faldlængden, tages i betragtning.

9. Rengøring, vedligeholdelse

Udgå, at der kommer væske ind i låsehjulets mekanisme.

Der kan ikke anbefales at rengøre låsehjulets tænder med et opløsningsmiddel. Hvis du dog gør det, skal du smøre det forsigtigt med en pensel, for at udgå, at opløsningsmidlet løber ind i selve mekanismen.

10. Supplerende oplysninger

Dette produkt er i overensstemmelse med forordning (EU) 2016/425 om personlige værnemidler. EU-overensstemmelseserklæringen er tilgængelig på Petzl.com.

- Du skal have de nødvendige retningsmidler til rådighed og hurtigt kunne gribe ind, hvis der opstår vanskeligheder.

- Sikringssystemets ankerpunkt bør helst befinde sig over brugeren og skal være i overensstemmelse med EN 795 (minimumsbrudstyrke på 12 kN).

- I et faldsikringsystem er det vigtigt at sikre sig, at der for enhver anvendelse er tilstrækkeligt frirum under brugeren for at forhindre, at brugeren kolliderer med jorden eller en forhindring i tilfælde af fald.

- Sorg altid for, at ankerpunktet er placeret korrekt for at begrænse risici og faldlængde. En faldsikringssele er det eneste tilladte værnemiddel, som må bruges til at optage fald i et faldsikringsystem.

- Der kan opstå fare ved at bruge flere værnemidler, hvor det ene værnemiddels sikkerhedsfunktion påvirker det andet værnemiddels sikkerhedsfunktion.

- ADVARSEL - FARE: Du skal sikre dig, at udstyret ikke gnider mod slidende overflader eller skarpe kanter.

- Brugerne skal være erklæret raske og egnet til aktiviteter i højden. ADVARSEL: At hænge bevidstløs i en sele kan medføre alvorlige fysiske skader eller i værste tilfælde døden.

- Instruktionerne i brugsanvisningen for hvert udstyr, som supplerer produktet, skal følges.

- Der skal vedlægges en brugsanvisning af produktet i det sprog der tales i det land, hvor produktet anvendes.

- Opbevar brugsanvisningen et permanent sted for at kunne læse den, når den er blevet fjernet fra udstyret.

- Kontroller, at mærkningerne på produktet er læselige.

Kassering af udstyr:

ADVARSEL: I særlige tilfælde kan du være nødsaget til at kassere produktet efter kun én enkelt anvendelse, afhængig af produktets type og anvendelsen af produktet, samt det miljø, hvori produktet anvendes (ætsende miljø, havmiljø), eller som følge af skarpe kanter, ekstreme temperaturer, kemiske produkter, m.m.

Kassér øjeblikkeligt produktet, hvis:

- Dets levetid er udløbet.
- Det har været udsat for et stort fald eller belastning.
- Resultaterne af inspektionen ikke er tilfredsstillende. Du er i tvivl om produktets pålidelighed.
- Du kender ikke udstyrets tidligere anvendelser til fulde (f.eks. en ulæselig produktmærkning).
- Når udstyret vurderes som ikke længere anvendeligt (som følge af ændringer i lovgivningen, standarder, teknikker eller inkompatibilitet med andet udstyr, osv.). Skaf dig af med kasseret udstyr for at undgå yderligere anvendelse.

Piktogrammer:

A. Levetid: ubegrænset - B. Tilladelige temperaturer - C. Sædvanlige forholdsregler - D. Rensning/desinfektion - E. Tørring - F. Opbevaring/transport - G. Vedligeholdelse - H. Ændringer/reparationer (skal udføres af Petzl udtagen udskiftning af reservedele) - I. Spørgsmål/kontakt

3-års garanti

Imod alle defekter i materialer og fremstilling. Garantien dækker ikke: normal slitage, oxidering, ændringer, udbedringer, forkert opbevaring, dårlig vedligeholdelse og anvendelser, som produktet ikke er bestemt til.

Advarselsskilte

1. Situation med overhængende risiko, som kan føre til dødsfald eller alvorlige kvæstelser.
2. Potentielt faresituation, som kan føre til mindre alvorlige kvæstelser.
3. Vigtig information om produktets funktion og ydeevne.
4. Inkompatibilitet.

Sporbarhed og mærkning

- a. Opfylder kravene i PV-forordningen. Bemyndiget organ, som udfører EU-typeafprøving
- b. Identifikationsnummer for det bemyndigede organ, som kontrollerer produktionen af dette PV
- c. Sporbarhed: datamatrix
- d. Rebskompatibilitet
- e. Individuelt nummer
- f. Fremstillingsår
- g. Fremstillingsmåned
- h. Batchnummer
- i. Individuel reference
- j. Standarder
- k. Læs brugsanvisningen grundigt
- l. Modelreference
- m. Nominel maksimal belastning
- n. Certificeringsorgan ANSI/ASSP
- o. Producentens adresse

SE

Dessa instruktioner förklarar hur du använder din utrustning korrekt. Endast vissa tekniker och användningsområden är beskrivna.

Varningssymbolerna ger information om några potentiella risker relaterade till användning av utrustningen, det är omöjligt att beskriva alla. Gå in på Petzl.com för uppdateringar och ytterligare information.

Du är själv ansvarig för att besöka varje varning och använda utrustningen korrekt. Felanvändning av denna utrustning skapar ytterligare faror. Kontakta Petzl om du är osäker på eller har svårt att förstå dessa instruktioner.

1. Användningsområden

Personlig skyddsutrustning (PPE) som används vid risk för fall från hög höjd.

ASAP LOCK: mobilt fallskydd för rep, med låsfunktion

EN 12841 typ A: redskap för repjustering på säkerhetsrep. Backup-anordning för reparatessystem, att användas ihop med en anordning av typ B eller C för klättring. EN 353-2: mobilt fallskydd inklusive en flexibel säkerhetslina. Primär säkringsanordning i ett fallskyddssystem.

Denna produkt får inte belastas över sin hållfasthetsgräns eller användas till ändamål den inte är avsedd för.

Ansvar

VARNING

Aktiviteter där denna typ av utrustning används är alltid riskfyllda. Du ansvarar själv för dina egna handlingar, dina beslut och din säkerhet.

Innan du använder denna utrustning måste du

- läsa och förstå samtliga användarinstruktioner
- få särskild övning i hur utrustningen ska användas
- lära känna utrustningens egenskaper och begränsningar
- förstå och godta befintliga risker.

Om dessa varningar ignoreras kan det medföra allvarliga skador eller dödsfall.

Denna produkt får endast användas av kompetenta och ansvarfulla personer eller av personer som övervakas av en kompetent och ansvarfull person. Du ansvarar själv för dina egna handlingar, dina beslut och din säkerhet och är medveten om konsekvenserna av dessa. Använd inte produkten om du inte kan eller har möjlighet att ta detta ansvar eller denna risk, eller inte förstår någon av dessa instruktioner.

2. Utrustningens delar

(1) Ram, (2) Klyka, (3) Skruv, (4) Inkopplingsprint, (5) Avståndsbricka, (6) Säkerhetsspärrar, (7) Arm, (8) Armavel, (9) Låshjul, (10) Låsknapp, (11) STRING. Huvudsakliga material: aluminiumlegering (ram, arm), rostfritt stål (låshjul, klyka), polyester, nylon (rep).

3. Inspektion och punkter att kontrollera

Din säkerhet är beroende av skicket på din utrustning. Petzl rekommenderar en utförlig inspektion utförd av en kompetent person minst var 12:e månad (beroende på aktuell lagstiftning i det land där utrustningen används samt under vilka förhållanden den används). VARNING: Din frekvens på användningen kan påverka ditt behov av att inspektera din personliga skyddsutrustning (PPE) mer frekvent. Följ anvisningarna beskrivna på Petzl.com. Dokumentera resultaten i formuläret för PPE-inspektion: typ, modell, tillverkarens kontaktuppgifter, serienummer eller individuellt nummer, datum för tillverkning, inköp, första användning och nästa kontroll samt problem, kommentarer, kontrollantens namn och signatur.

Före varje användningstillfälle

ASAP LOCK: kontrollera att falldämparen är korrekt installerad i klykan, och att skruven är ordentligt åtdragen.

Kontrollera att det inte finns några sprickor, skårar, deformationer, slitage, rost (på ramen, hjulet, armen, klykan). Kontrollera att skruven är ordentligt åtdragen (korrekt montering, avsaknad av glapp osv.).

Kontrollera skicket på säkerhetsspärrarna och att deras fjädrar fungerar.

Kontrollera att armen sig rör runt axeln, och att fjädern fungerar korrekt. Kontrollera att låshjulet är rent och att tänderna inte är nednötta. Varning: om det fattas tändar, använd inte din ASAP LOCK.

Om tänderna är smutsiga, se avsnittet om underhåll och rengöring. Kontrollera att låshjulet roterar friktionsfritt ett helt varv åt båda håll.

Repet: verifiera skicket på repet enligt tillverkarens instruktioner. Repet ska kasseras om det varit inblandat i ett fall, om kärnan verkar vara deformationad, eller om manteln är skadad eller fläckad.

Under användning

Det är viktigt att regelbundet kontrollera produktens skick och dess förbindelsepunkter med andra delar i utrustningen. Se till att de olika delarna i utrustningen är korrekt placerade i förhållande till varandra.

Var uppmärksam på främmande föremål som kan hindra låshjulet från att komma i kontakt med repet, eller att snurra. Skydda din ASAP LOCK från stänk när du arbetar (färg, cement osv.). Se till att låshjulet alltid har kontakt med repet.

4. Kompatibilitet

Kontrollera att denna produkt är kompatibel med andra delar i det system som används (kompatibel = fungerar bra ihop). Utrustning som används tillsammans med ASAP LOCK måste följa de standarder som finns i det land den används (t.ex. EN 361 selar i Europa osv.).

Sele:

Koppla in ASAP LOCK falldämparen i fallskyddspunkten på selen.

Falldämpande släng:

Använd ASAP LOCK enbart med kompatibla Petzl falldämpare:

- ASAP[®]SORBER 20 och 40.

- ASAP[®]SORBER AXESS.

Falldämparen får inte förlängas (max en karbin: 12 cm maximum längd).

Rep, EN 12841 typ A användning:

Använd ASAP LOCK med 10-13 mm EN 1891 typ A semistatiska rep med kärmantelkonstruktion.

Rep testade under EU EN 12841-certifieringen (typ A):

- Petzl CLUB 10 mm.

- Teufelberger KM III 13 mm.

Rep, EN 353-2 användning:

Använd endast ASAP LOCK med de rep som testats under certifieringen av EU EN 353-2: 2002:

- Petzl PARALLEL 10,5 mm.

- Petzl AXIS 11 mm.

- Petzl ASAP[®]AXIS 11 mm.

5. Funktionsprincip

Vid måttliga hastigheter rör sig låshjulet fritt i båda riktningar. En snabb nedåtgående rörelse stoppar låshjulets rotation och repet blockeras genom att klämmas fast mellan hjulet och ramen.

Låsfunktion: Den inbyggda låsfunktionen gör att användaren kan låsa fast utrustningen och begränsa fallhöjden.

6. Installation av ASAP LOCK samt funktionstest

Förberedelse:

Använd endast ASAP LOCK originalskruv. Använd gängläsvätska på skruven innan montering.

Installera falldämparen och stäng klykan. Dra åt, kontrollera att axeln har korrekt position och skruven är ordentligt åtdragen.

För att utrustningen ska fungera som den ska måste skruven monteras korrekt och dras åt till angivet vridmoment. Det enda sättet att kontrollera korrekt vridmoment är att använda en momentnyckel.

Inkoppling i selen:

Inkoppling som används ofta: använd TRIACT-LOCK EN 362 karbin med systemet som hjälper positionera karbinen så att den används längst huvudaxel (STRING, CAPTIV osv.).

Semi-permanent inkoppling: använd semi-permanent karbin, som stängs med verktyg (RING OPEN, SWIVEL OPEN, snabbblänk osv.).

Installation: öppna säkerhetsspärrarna för att placera repet i anordning, lås spärrar för att låshjulet ska få kontakt med repet.

Varning: ASAP LOCK låser endast i en riktning. Dödsfara om ASAP LOCK har

monterats upp och ner på repet.

Utför ett funktionstest för varje installation.

Uppläsning: efter funktionstestet, läs upp hjulet så att redskapet kan glida på repet normalt.

Låsfunktion: använd hjulets låsknapp för att förhindra ASAP LOCK från att röra sig nedåt på repet. Varning: i händelse av oavsiktlig upphängning i en låst ASAP LOCK, kan den inte låsas upp när den är belastad.

7. Försiktighetsåtgärder vid användning

Du kan knyta en knut på repet för att begränsa rörelseområdet.

Under fortskridande kontrollera regelbundet att repet glider genom ASAP LOCK korrekt för att undvika slack som kan öka längden på ett eventuellt fall.

En dynamisk överbelastning kan skada repet. Användaren måste ha ett annat back-up system om ASAP LOCK repet är belastat.

Användning på sluttande underlag:

VARNING: Om du till exempel glider långsamt längs ett tak med liten vinkel aktiveras kanske inte ASAP LOCK omedelbart. Se till att knyta en stoppknut på repet om det finns risk att du slår emot ett hinder.

8. Frihöjd

Frihöjd är det fria utrymme nedanför användaren som krävs för att hindra användaren från att komma i kontakt med ett hinder i händelse av ett fall.

Frihöjd tar hänsyn till

- falllängden

- stoppskräckan för ASAP LOCK

- längden på den upprivna falldämparen

- medellängden för en användare

- en säkerhetsmarginal på 1 meter.

Repets elasticitet (E) varierar med situationen och måste läggas till i beräkningen av frihöjd.

Mer information finns i den tekniska rådgivningen för ASAP LOCK på Petzl.com. De värden som presenteras är baserade på teoretiska uppskattningar samt falltest med en vikt.

I ett fallskyddssystem måste du ta hänsyn till längden på eventuella karbiner som kan påverka falllängden.

9. Rengöring, underhåll

Undvik att få in vätska i läsmekanismen.

För rengöring av tänderna på låshjulet bör man undvika lösningsmedel. Dock är det möjligt om man använder en borste och är noga med att det inte kommer in lösningsmedel i läsmekanismen.

10. Ytterligare information

Denna produkt uppfyller kraven i EU:s förordning 2016/425 om personlig skyddsutrustning. EU-försäkrån om överensstämmelse finns på Petzl.com.

- Du måste ha en räddningsplan och medel för att snabbt genomföra den om problem skulle uppstå vid användning av denna utrustning.

- Systemets förankringspunkt bör helst vara ovanför användaren och ska uppfylla kraven i standarden EN 795 (minsta hållfasthet 12 kN).

- I ett fallskyddssystem är det viktigt att kontrollera den erforderliga frihöjden under användaren före varje användningstillfälle, för att undvika kollision med marken eller ett hinder vid ett eventuellt fall.

- Se till att förankringspunkten är korrekt placerad för att minska risken för och längden av ett fall.

- En fallskyddssele är den enda tillåtna utrustningen för att stötta kroppen i ett fallskyddssystem.

- När flera olika utrustningsdelar används ihop kan en farlig situation uppstå när ena delens säkerhetsfunktion påverkas av säkerhetsfunktionen hos en annan del.

- VARNING – FARA: Se till att produkterna inte skrapar mot skrovliga eller vassa ytor.

- Användarna måste vara friska och i skick att utföra aktiviteter på hög höjd. VARNING:

Att hänga fritt i sele utan att röra på sig kan leda till allvariga skador eller dödsfall.

- Användarinstruktionerna för varje del i utrustningen som används ihop med denna produkt måste följas.

- Användarinstruktioner för denna utrustning måste finnas tillgängliga på det språk som talas i det land där produkten ska användas.

- Förvara användarinstruktionerna i ett permanent referensarkiv efter att de har avlägsnats från utrustningen.

- Se till att märkningarna på produkten är läsbara.

När produkten inte längre ska användas:

VARNING: I extremfall kan produkten behöva kasseras efter ett enda användningstillfälle, beroende på hur och var den använts och vad den utsatts för (tuffa miljöer, havsmiljöer, vassa kanter, extrema temperaturer, kemikalier, osv.).

Produkten måste kasseras när

- den har nått gränsen för sin livslängd

- den har blivit utsatt för ett större fall eller kraftig belastning

- den inte klarar inspektionen och du tvivlar på dess skick

- du inte helt och hållet känner till dess historia (t.ex. på grund av oläsliga produktmärkning)

- den blir omöden pga ändringar i lagstiftningen, nya standarder eller ny teknik eller är inkompatibel med annan utrustning.

Förstör dessa produkter för att undvika framtida bruk.

Ikoner:

A. Obegränsad livslängd - B. Godkända temperaturer - C. Försiktighetsåtgärder vid användning - D. Rengöring/desinfektion - E. Torkning - F. Förvaring/transport - G. Underhåll - H. Ändringar/reparationer (ej tillåtna utanför Petzls lokaler, undantaget reservdelar) - I. Frågor/kontakt

3 års garanti

Mot alla material- och tillverkningsfel. Undantag: normalt slitage, rost, modifieringar eller ändringar, felaktig förvaring, bristande underhåll, försumlighet eller felaktig användning.

Varningssymboler

1. Situation som påvisar en överhängande risk för allvarlig skada eller dödsfall. 2. Exponering för möjlig risk för olycka eller skada. 3. Viktig information gällande produktens funktion eller prestation. 4. Inkompatibilitet av utrustning.

Spårbarhet och märkningar

a. Uppfyller kraven i PPE-förordningen. Testorgan som utför EU-typtest - b. Nummer på testorgan som utför produktionskontroll av denna PPE - c. Spårbarhet: datamatrix - d. Repkompatibilitet - e. Serienummer - f. Tillverkningsår - g. Tillverkningsmånad - h. Batchnummer - i. Individuell identifiering - j. Standarder - k. Läs användarinstruktionerna noga - l. Modellbeteckning - m. Nominell max belastning - n. ANSI/ASSP certifieringsorgan - o. Tillverkarens adress

Näissä käyttöohjeissa kerrotaan, miten varusteita käytetään oikein. Vain jotkin tekniikat ja käyttötavat on esitelty.

Varolusymbolit antavat tietoa jostakin varusteiden käyttöön liittyvistä vaaroista, mutta on mahdollotonta mainita niitä kaikkia. Tarkista päivitykset ja lisätiedot osoitteesta Petzl.com.

Olet itse vastuussa siitä, että huomioit varoitukset ja käytät varusteita oikein. Tämän varusteen väärinkäyttö lisää vaaratilanteiden mahdollisuutta. Ota yhteyttä Petzliin, jos olet epävarma jostakin asiasta tai jos et täysin ymmärrä näitä ohjeita.

1. Käyttötarkoitus

Korkealta putoamiselta suojaukseen käytettävä henkilökohtainen suojavaruste (henkilönsuojain).

ASAP LOCK: putoamisen pysäyttävä köysitarrain lukitustoiminnolla

EN 12841 tyyppi A: köydensäätoalate turvaköydelle. Varmistuslaite köyden varassa työskentelyyn, käytettäväksi yhdessä B- tai C-tyypin etenemislaiten kanssa.

EN 353-2: Putoamisen pysäyttävä köysitarrain, johon sisältyy joustava turvaköysi.

Ensisijainen varmistuslaite putoamisen pysäyttävään järjestelmään.

Tätä tuotetta ei saa kuormittaa yli sen kestokyvyn, eikä sitä saa käyttää mihinkään muuhun tarkoitukseen kuin siihen, mihin se on suunniteltu.

Vastuu

VAROITUS

Toiminta, jossa tätä varustetta käytetään, on luonteeltaan vaarallista. Olet vastuussa omista teoistasi, päätöksistäsi ja turvallisuudestasi.

Ennen tämän varusteen käyttämistä sinun pitää:

- lukea ja ymmärtää kaikki käyttöohjeet
- hankkia sen käyttöä varten erikoiskoulutus
- tutustua sen käyttökelpoisuuteen ja rajoituksiin
- ymmärtää ja hyväksyä tähän liittyvät riskit.

Näiden varoitusten huomiotta jättäminen saattaa johtaa vakavaan loukkaantumiseen tai kuolemaan.

Tätä tuotetta saavat käyttää vain pätevät ja vastuulliset henkilöt tai henkilöt, jotka ovat pätevän ja vastuullisen henkilön välittömän valvonnan ja silmäläpiden alaisia. Olet vastuussa omista teoistasi, päätöksistäsi sekä turvallisuudestasi ja kannat vastuun tekojesi seurauksista. Jos et ole kykenevä tai oikeutettu ottamaan tätä vastuuta tai et ymmärrä täysin näitä ohjeita, älä käytä tätä varustetta.

2. Osaluettelo

(1) Runko, (2) Liitosvarsi, (3) Ruuvi, (4) Kiinnitystappi, (5) Välikappale, (6) Turvasalvat, (7) Kampi, (8) Liitosvarren akseli, (9) Lukkiutuva rissa, (10) Lukituspainike, (11) STRING. Päämateriaalit: alumiiniseos (runko, kampi), ruostumaton teräs (lukkiutuva rissa, metallikiinnitin) polyesteri, nalon (köydet).

3. Tarkastuskohteet

Varusteitesi luotettavuus vaikuttaa turvallisuuteesi.

Petzl suosittelee, että asiantuntija tarkastaa varusteet perusteellisesti vähintään kerran vuodessa (riippuen käyttömaan säädöksistä sekä käyttöolosuhteista). VAROITUS: käytön rasittavuudesta riippuen voi olla tarpeen tarkastaa henkilönsuojaimesi tätä useammin. Noudata osoitteessa Petzl.com annettuja ohjeita. Kirjaa tulokset henkilönsuojaimen tarkastuslomakkeeseen: tyyppi, malli, valmistajan yhteyshiedot, sarja- tai yksilönumero; valmistuksen, oston, ensimmäisen käyttökerran ja seuraavan määrääkaistarkastuksen päivämäärät; ongelmat, kommentit, tarkastajan nimi ja allekirjoitus.

Ennen jokaista käyttöö

ASAP LOCK: varmista että nykyksenvaimennin on oikein kiinnitetty liitosvarteen ja että ruuvi on kumolla kiinni.

Varmista että rungossa, rissassa, kammessa tai liitosvarressa ei ole halkeamia, naarmuja, väärntymä tai kulumis- tai syöpmysjälkiä. Varmista, että ruuvi on pitävästi ja tiukasti kiinni (oikea asennus, ei välystä...).

Tarkasta turvasalpojen kunto ja niiden jousien toimivuus.

Varmista että kampi liikkuu akselin ympäri ja että jousi toimii. Varmista, että lukkiutuva rissa on puhdas ja sen hampaat eivät ole kuluneet. Varoitus: jos yksi tai useampi hammaa puuttuu, älä käytä ASAP LOCK-laitetta.

Jos hampaat ovat likaiset, katso ohjeet kohdasta Puhdistus, huolto. Varmista, että lukkiutuva rissa pyörii hyvin pyörittämällä sitä täyden kierroksen molempiin suuntiin. Köysi: tarkasta köyden kunto valmistajan ohjeiden mukaisesti. Köysi tulee poistaa käytöstä, mikäli sen varaan on pudottu, ydin vaikuttaa epämüodustuneelta tai mantteli on vahingoittunut tai likaantunut.

Käytön aikana

Tuotteen kunto ja kiinnittyminen järjestelmän muihin osiin on tärkeää tarkastaa säännöllisin väliajoin. Varmista, että kaikki varusteet ovat oikeassa asennossa toisiinsa nähden.

Varo ulkopuolisia esineitä, jotka voivat estää lukkiutuvaa rissaa pyörimästä tai painumista köyttä vasten. Suojaa ASAP LOCK roskelta työskennellessäsi (maali, sementti...). Varmista että lukkiutuva rissa on aina köydessä kiinni.

4. Yhteensopivuus

Varmista, että tuote on yhteensopiva muiden järjestelmäsi osien kanssa (yhteensopivus = hyvä toimivuus yhdessä käytettyinä).

ASAP LOCKin kanssa käytettävien varusteiden tulee noudattaa kunkin maan sen hetkisiä standardeja (esim. EN 361 -valjaat Euroopassa).

Valjaat:

Kiinnitä ASAP LOCKin nykyksenvaimennin valjaiden putoamisen pysäyttävän järjestelmän kiinnityspisteeseen.

Nykyksenvaimennin:

Käytä ASAP LOCKia vain yhteensopivien Petzl-nykyksenvaimentimien kanssa:

- ASAP’SORBER 20 ja 40.
- ASAP’SORBER AXESS.

Nykyksen vaimenninta ei saa pidentää (enintään yksi (enintään 12 cm pituinen) sulkurengas kussakin päässä).

Köysi, EN 12841 tyyppi A käyttö:

Käytä ASAP LOCKin kanssa 10-13 mm:n paksuisia, EN 1891 tyyppi A -vaatimukset täyttäviä vähäjoustoisia ydinköysiä.

EU EN 12841 tyyppi A -sertifioinnin yhteydessä testatut köydet:

- Petzl CLUB 10 mm.
- Teufelberger KM III 13 mm.

Köysi, EN 353-2 käyttö:

Käytä ASAP LOCKia vain EU EN 353-2: 2002 -sertifioinnin yhteydessä testattujen köysien kanssa:

- Petzl PARALLEL 10.5 mm.
- Petzl AXIS 11 mm.
- Petzl ASAP’AXIS 11 mm.

5. Toimintaperiaate

Lukkiutuva pyörä pyörii hiljaisessa vauhdissa vapaasti molempiin suuntiin. Lukkiutuvan rissan pyöriminen pysähtyy, kun liikutaan nopeasti alaspäin; köysi jää kiinni puristuessaan rissan ja rungon väliin.

Lukitustoiminto: integroituu lukitustoiminto, jonka ansiosta käyttäjä pystyy pysäyttämään laitteen ja siten vähentämään putoamismatkaa.

6. ASAP LOCK-asennus ja toiminnan testaus

Valmistelu:

Käytä vain ASAP LOCK’in alkuperäistä ruuvia. Laita ruuviliuketta ruuviin ennen kasaamista.

Asenna nykyksenvaimennin ja sulje metallikiinnitin. Kiristä ja tarkasta akselin asento sekä ruuviin kireys.

Varusteen asianmukaisen suorituskyvyn varmistamiseksi ruuvi pitää asentaa oikein ja kiristää ilmoitettuun momenttiin. Ainoastaan momenttiavaimella pystytään varmistamaan, että kiristysmomentti on oikea.

Liittäminen valjaisiin:

Toistuva kiinnittäminen: käytä lukkiutuvaa TRIACT LOCK EN 362 –kiinnintä, jossa oleva järjestelmä auttaa pitämään sen pituussuuntaan kuormitettuna (STRING, CAPTIV...).

Pitkäaikainen kiinnitys: käytä pitkäaikaiseen kiinnitykseen tarkoitettua työkalulla suljettavaa kiinnintä (RING OPEN, SWIVEL OPEN, pikalenkki...).

Asennus: avaa turvasalvat ja aseta köysi runkoon, sulje salvat ja kiinnitä lukkiutuva

rissa köyteen.

Varoitus: ASAP LOCK on suunnattava laite ja lukkiuu vain yhteen suuntaan.

Kuolemanvaara mikäli ASAP LOCK asetetaan ylösalaisin köydelle.

Testaa toiminta ennen jokaista asennusta.

Avaaminen: avaa rissan lukitus toiminnan testaamisen jälkeen niin, että laite pääsee liukumaan normaalisti köydessä.

Lukitustoiminto: käytä rissan lukituspainiketta estääksesi ASAP LOCKia liikkumasta alaspäin köydessä. Varoitus: mikäli ASAP LOCK kuormittuu vahingossa sen ollessa lukkiutuneena, lukitusta ei voi avata sen ollessa kuormitettuna.

7. Varoitoimenpiteet

Stimalla solmu köyteen voidaan luoda kulun pysäyttävä kohta.

Tarkista edetessäsi säännöllisesti, että köysi liukuu hyvin ASAP LOCKin läpi. Näin vältty suuren köysivaran kasaantumiselta, mikä voisi kasvattaa putoamisetaisyyden pituutta.

Dynaaminen ylikuormitus voi vahingoittaa köyttä. Mikäli ASAP LOCKin köysi on kuormitettu, käyttäjän saatavalla pitää olla toinen turvaköysi.

Käyttö kaltevalla tasolla:

VAROITUS: jos liukuminen on hidasta esimerkiksi lievästi kaltevalla katolla, ASAP LOCK ei välttämättä aktivoiduu välittömästi. Käytä ehdottomasti pidäkесolmua köydessä, jos on olemassa riski osumisesta johonkin esteeseen.

8. Turvaetäisyys

Turvaetäisyys tarkoittaa käyttäjän alla olevaa minimimäärää tyhjää tilaa, joka estää käyttäjää osumasta maahan tai rakenteisiin putoamistilanteessa.

Turvaetäisyys ottaa huomioon:

- putoamismatka
- ASAP LOCKin pysähtymisetaisyyden
- nykyksenvaimentimen repeytymispituuden
- työntekijän keskimääräisen pituuden
- 1 metrin turvavaran.

Köyden joustavuus (E) vaihtelee tilanteen mukaan, mikä tulee ottaa huomioon turvaetäisyyttä laskiessa.

Lisätietoa on ASAP LOCK-tarraimen teknisissä neuvoissa osoitteessa Petzl.com.

Esitetyt ovat perustuvat teoreettisiin arvioihin ja kiinteällä massalla tehtyihin pudotustesteihin.

Putoamisen pysäyttävässä järjestelmässä tulee ottaa huomioon sulkurenkaiden pituus, joka vaikuttaa putoamisetaisyyteen.

9. Puhdistus, huolto

Vältä sitä, että lukkiutuvan rissan mekanismiin pääsee nestettä.

Luottimen käyttöä ei suositella lukkiutuvan rissan hampaiden puhdistamiseen. Sitä voi kuitenkin käyttää, mikäli levittää sitä sudilla ja pitää huolta siitä, ettei luotinta pääse mekanismiin.

10. Lisätietoa

Tämä tuote täyttää henkilönsuojainasetuksen (EU) 2016/425 vaatimukset. EU-vaatimustenmukaisuusvakuutus on saatavilla osoitteessa Petzl.com.

– Sinulla on oltava pelastussuunnitelma ja nopeasti toteutettavat pelastuskeinot siltä varalta, että varusteiden käytön aikana ilmaantuu ongelmia.

– Järjestelmän ankkuripisteen tulee mieluiten sijaita käyttäjän yläpuolella, ja sen tulee täyttää EN 795 -standardin vaatimukset (12 kN:n minimikestävyys).

– Putoamisen pysäyttävää järjestelmää käytettäessä on erityisen tärkeää tarkastaa ennen jokaista käyttökertaa, että käyttäjän alla on riittävä turvaetäisyys, jotta käyttäjä ei putoamistilanteessa iskeydy maahan tai muihun esteeseen.

– Varmista, että ankkuripisteellä on asianmukainen sijainti vähentääksesi putoamisriskiä ja minimoidaksesi putoamismatkan

– Putoamissuojainvaljaat ovat ainoa hyväksytyt väline kehon tukemiseen putoamisen pysäyttävässä järjestelmässä.

– Kun useita varusteita käytetään yhdessä, yhden varusteen turvatoiminto saattaa häiritä toisen varusteen turvatoimintoa, mikä voi johtaa vaaratilanteeseen.

– VAROITUS – VAARA: Varmista, etteivät tuoteesi pääse hankaamaan kuluttavia tai teräviä pintoja vastaan.

– Käyttäjien täytyy soveltua lääketieteellisen kuntosaa puolesta toimimaan korkealla.

VAROITUS: pitkäaikainen valjaiden varassa roikkuminen saattaa johtaa vakavaan loukkaantumiseen tai kuolemaan.

– Kaikkien tämän tuotteen kanssa käytettävien varusteiden tuotekohtaisia käyttöohjeita on noudatettava.

– Tämän varusteen käyttäjille on annettava käyttöohjeet sen maan kielellä, jossa varustetta käytetään.

– Säilytä käyttöohjeet pysyvässä kansiossa, jossa ne ovat aina saatavilla, kun olet ottanut ne pois varusteista.

– Varmista, että tuotteen merkinnät ovat luettavissa.

Milloin varusteet poistetaan käytöstä:

VAROITUS: poikkeustapauksissa saatat joutua poistamaan tuotteen käytöstä yhden ainoan käyttökerran jälkeen. Tämä riippuu käytön rasittavuudesta ja käyttöolosuhteista (ankarat olosuhteet, merialuepäristö, terävät reunat, äärimmäiset lämpötilat, kemikaalit tms.).

Tuote on poistettava käytöstä, kun:

- sen käyttöikä on umpeutunut
- se on altistunut rajulle pudotukselle tai raskaalle kuormitukselle
- se ei läpäise tarkastusta tai sinulla on pienikin epäily sen luotettavuudesta
- et tunne sen käyttöhistoriaa täysin (esim. lukukevottomat tuotteen merkinnät)
- se vanhenee lainsäädännön, standardien, tekniikoiden tms. muuttumisen vuoksi tai se ei enää ole yhteensopiva muiden varusteiden kanssa.

Tuhoa käytöstä poistetut varusteet, jottei kukaan käytä niitä enää.

Kuvakkeet:

A. Rajoittamaton käyttöikä - B. Hyväksytyt käyttölämpötilat - C. Käytön varoimetel - D. Puhdistaminen/desinfointi - E. Kuivaaminen - F. Säilytys/ kuljetus - G. Huolto - H. Muutokset/korjaukset (kielletty muiden kuin Petzlin toimesta, ei koske varosia) - I. Kysymykset/yhteydenotto

3 vuoden takuu

Kattaa kaikki materiaali- ja valmistusvialt. Takuuseen eivät kuulu normaali kuluminen, happettuminen, varusteeseen tehdyt muutokset, virheellinen säilytys, huono huoltaminen ja välittämättömyyden tai sellaisen käytön aiheuttamat vauriot, johon tuotetta ei ole suunniteltu.

Varoitussymbolit

1. Tilanne, jossa on vakava loukkaantumisen tai kuoleman vaara. 2. Onnettomuus- tai loukkaantumisvaara. 3. Tärkeää tietoa tuotteen toiminnasta tai suorituskyvystä. 4. Tuotteiden yhteensopimattomuus.

Jäljitettävyys ja merkinnät

a. Vastaa henkilönsuojaimelle asetettuja vaatimuksia. EU-tyyppitarkastuksen suorittajaksi ilmoitettu laitos - b. Tämän henkilönsuojaimen tuotannon valvojaksi ilmoitetun laitoksen tunnistenumero - c. Jäljitettävyys: tietomatriisi - d. Köyden yhteensopivuus - e. Sarjanumero - f. Valmistusvuosi - g. Valmistuskuukausi - h. Eränumero - i. Yksilöllinen tunniste - j. Standardit - k. Lue käyttöohjeet huolellisesti - l. Mallin tunnistekoodi - m. Suurin nimelliskuormitus - n. ANSI/ASSP-sertifioinnin suorittava taho - o. Valmistajan osoite

NO

Denne bruksanvisningen forklarer hvordan du bruker utstyret på korrekt måte. Kun enkelte teknikker og bruksmetoder er beskrevet.

Advarselssymbolene gir informasjon om enkelte potensielle farer som er forbundet med bruk av utstyret, men det er umulig å beskrive alle potensielle farer. Oppdateringer og tilleggsinformasjon finner du på Petzl.com.

Du er selv ansvarlig for å forstå og ta hensyn til disse advarelsene, og for å bruke utstyret på korrekt måte. Feil bruk av utstyret vil medføre ytterligere risiko. Kontakt Petzl dersom du er i tvil, eller dersom du ikke forstår disse bruksanvisningene.

1. Bruksområde

Personlig verneutstyr (PVU) for beskyttelse mot fall fra høyden.

ASAP LOCK: løpebrems for tau, med låsefunksjon

EN 12841 type A: justeringsanordning for sikringstau. Ekstra sikring for arbeid i tau som skal brukes sammen med progresjonsprodukter av type B eller C.

EN 353-2: mobil løpebrems inkludert fleksibelt sikringstau. Hovedelement i et fallsikringsystem.

Produktet må ikke brukes utover dets begrensninger eller i andre situasjoner som det ikke er beregnet for.

Ansvar

ADVARSEL

Aktiviteter som involverer bruk av dette produktet, er farlige.

Du er selv ansvarlig for dine egne handlinger og avgjørelser, og din egen sikkerhet.

For du tar i bruk utstyret, må du:

- Lese og forstå alle bruksanvisningene.
- Sorge for å få spesifikk opplæring i hvordan produktet skal brukes.
- Gjøre deg kjent med produktets muligheter og begrensninger.
- Forstå og akseptere risikoen i aktiviteter som involverer bruk av produktet.

Manglende respekt for bare ett av disse punktene kan medføre alvorlig personskade eller død.

Dette produktet skal kun brukes av kompetente og ansvarlige personer, eller under direkte tilsyn av en kompetent og ansvarlig person.

Du er selv ansvarlig for dine egne handlinger, avgjørelser og din egen sikkerhet, og du tar selv på deg ansvaret for dette. Dersom du ikke er i stand til å ta på deg dette ansvaret eller dersom du ikke forstår bruksanvisningene, skal du ikke bruke utstyret.

2. Liste over deler

(1) Ramme, (2) Festearm, (3) Skrue, (4) Festebolt, (5) Avstandsstykke, (6) Sikkerhetsstoppere, (7) Arm, (8) Bolt til arm, (9) Låsehjul, (10) Låsknapp, (11) STRING. Hovedmaterialer: aluminiumslegering (ramme og arm), rustfritt stål (låsehjul og festearm), polyester, nylon (tau).

3. Kontrollpunkter

Din sikkerhet avhenger av at utstyret du bruker er i god stand.

Petzl anbefaler at en grundig kontroll blir gjort av en kompetent person minst én gang årlig (avhengig av gjeldende regelverk i ditt land og hvordan du bruker utstyret).

ADVARSEL: Avhengig av bruksintensitet bør du vurdere å utføre inspeksjon av ditt PVU oftere. Følg prosedyrene som er beskrevet på

Petzl.com. For resultatene inn i et PVU-kontrollskjema: utstyrstype, modell, navn og kontaktinformasjon på produsent, serie- eller uniknummer, datoer: produksjonsdato, kjøpsdato, dato for når produktet ble tatt i bruk, dato for neste periodiske kontroll; problemer, kommentarer, kontrollørens navn og signatur.

For bruk

ASAP LOCK påse på falldemperen er riktig installert på festearmen og at låsekruen er skikkelig strammet.

Kontroller at det ikke er sprekker, hakk, deformering, slitasje eller korrosjon på rammen, låsehjulet, armen eller festearmen. Sorg for at skruen er tilstrekkelig strammet (at den er korrekt montert, at det ikke er slark osv.).

Kontroller tilstanden til sikkerhetsstoppene, og kontroller at returfjærene fungerer.

Påse at armen roterer fritt rundt boltten og at returfjæren fungerer som de skal. Påse at låsehjulet er rent og at tennene ikke er slitte. Advarsel: ASAP LOCK må ikke brukes dersom én eller flere av tennene mangler.

Dersom tennene er skitne, må de rengjøres i henhold til instruksjonene i avsnittet om rengjøring og vedlikehold. Påse at låsehjulet roterer fritt en hel gang i begge retninger. Tau: Kontroller at tauet er i god stand. Følg produsentens anvisninger for hvordan du kontrollerer tauet. Tauet må kasseres dersom det har vært utsatt for et fall, dersom kjernen virker skadet eller strømpen har skader eller flekker.

Under bruk

Det er viktig å jevnlig kontrollere at produktet fungerer som det skal, og at produktets koblinger til andre elementer i systemet fungerer. Forsikre deg om at alle elementene er riktig posisjonert i forhold til hverandre.

Vær oppmerksom på fremmedelementer som kan hindre låsehjulet i å komme i kontakt med tauet, eller som kan hindre det i å rotere. Beskytt ASAP LOCK mot sprut fra maling, sement osv. under arbeidet. Sorg for at låsehjulet alltid er i kontakt med tauet.

4. Kompatibilitet

Kontroller at produktet er kompatibelt med de andre elementene i systemet (kompatibilitet = at produktet fungerer som det skal sammen med de andre elementene). Utstyr som brukes sammen med ASAP LOCK må være godkjent i henhold til standarder som gjelder i ditt land (f.eks. seler som er godkjente i henhold til EN 361 i Europa).

Sele:

Koble falldemperen på ASAP LOCK til et festepunkt på selen som er beregnet for fallsikring.

Falldempende forbindelseline:

ASAP LOCK skal kun brukes sammen med kompatible Petzl-falldempere:

- ASAP SORBER 20 og 40.

- ASAP SORBER AXESS.

Falldemperen må ikke forlenges (et koblingsstykke på 12 cm er maksimum).

Tau, bruk i henhold til EN 12841 type A:

Bruk ASAP LOCK med semistatiske 10-13 mm tau (kjerne + strømpe) som er godkjente i henhold til kravene i EN 1891 type A.

Tau som er testet under sertifisering etter EU EN 12841 type A:

- Petzl Club 10 mm.

- Teufelberger KM III 13 mm.

Bruk av EN 353-2 tau:

Bruk ASAP LOCK kun sammen med tauene som er testet under sertifisering etter EU EN 353-2: 2002:

- Petzl PARALLEL 10,5 mm.

- Petzl AXIS 11 mm.

- Petzl ASAP AXIS 11 mm.

5. Slik fungerer produktet

Ved moderat fart vil låsehjulet rotere fritt i begge retninger. En rask bevegelse nedover vil føre til at låsehjulet låser. Tauet blokkeres ved at det klemmes mellom hjulet og rammen på løpebremsen.

Låsefunksjon: den integrerte låsefunksjonen gjør det mulig for brukeren å redusere lengden på et eventuelt fall.

6. Klargjøring av ASAP LOCK og funksjonstest

Forberedelser:

Bruk kun originalskruen til ASAP LOCK. Bruk gjengelim på skruen for du skrur den på. Installer falldemperen og skru til skruen. Stram til og sjekk at bolten er riktig posisjonert og at skruen er korrekt strammet til.

For å sikre at produktet fungerer optimalt må skruen være korrekt montert og strammet med det momentet som er oppgitt. Bruk av momentnøkkel er den eneste måten å sikre at skruen blir strammet med riktig moment.

Tilkobling til selen:

Jevnlig inspeksjon: Bruk et TRIACT-LOCK EN 362 låsbart koblingsstykke med et system som holder den posisjonert i den langsgående aksen (STRING, CAPTIV...).

For delvis permanent tilkobling: Bruk et semi-permanent koblingsstykke lukket med et verktøy (RING OPEN, SWIVEL OPEN, hurtigkoblingsstykke osv.).

Installasjon: Åpne sikkerhetsstopperen, plasser tauet og lukk sikkerhetsstopperen for å engasjere låsehjulet på tauet.

Advarsel: ASAP LOCK er en retningsbestemt løpebrems og blokkerer tauet kun i én

retning. Det medfører livsfare dersom ASAP LOCK er posisjonert i feil retning.

Gjør en funksjonstest for hver gangs bruk.

For å løse en blokkering: Etter funksjonstesten løses hjulet slik at det kan skil langs tauet på normal måte.

Låsefunksjon: Bruk låseknappen for å hindre ASAP LOCK i å bevege seg nedover på tauet. Advarsel: I tilfeller der en låst ASAP LOCK blir utsatt for belastning kan den ikke låses opp mens den er belastet.

7. Forholdsregler for bruk

Det må være mulig å lage en stoppknute på tauet.

Sjekk regelmessig at tauet skliir som det skal gjennom ASAP LOCK, slik at du unngår at det blir slakk i tauet, som igjen kan øke fallpotensialet.

Dynamisk overbelastning kan skade tauet. Dersom tauet til ASAP LOCK er belastet, må brukeren ha et ekstra sikringstau tilgjengelig.

Bruk i helinger:

ADVARSEL: Ved sakte utglidning, for eksempel på tak med slak helning, vil ikke ASAP LOCK nødvendigvis aktiveres med en gang. Husk å knytte en stoppknute på tauet dersom det er risiko for å sammenstøt med et hinder.

8. Klaring

Klaring er den minste tilstrekkelige avstanden under brukeren som kreves for å hindre at brukeren treffer bakken eller strukturer ved et eventuelt fall.

Klaring tar hensyn til:

- Lengden på fallet.
 - Stopplengden for ASAP LOCK.
 - Lengden på raknebandet på falldemperen.
 - Gjennomsnittlig høyde på brukeren.
 - En sikkerhetsmargin på 1 meter.
- Elastisiteten i tauet (E) vil variere avhengig av situasjonen og må tas i betraktning når du beregner klaringen.

For mer informasjon og tekniske råd og tips om ASAP LOCK, gå til Petzl.com. Verdien som er oppgitt her er basert på teoretiske beregninger og falltester som er gjort med fast masse.

I et fallsikringsystem må lengden på koblingsstykkene som brukes og som har betydning for fallengden, tas i betraktning.

9. Rengjøring og vedlikehold

Unngå at det kommer væske inn i låsehjulets mekanisme.

Det er ikke anbefalt å rengjøre låsehjulets tennar med løsemidler. Hvis du imidlertid bruker en børste, kan du likevel bruke dette, men vær forsiktig så det ikke kommer løsemidler inn i selve mekanismen.

10. Tilleggsinformasjon

Dette produktet er godkjent i henhold til kravene i EU-regulativ 2016/425 for personlig verneutstyr. EU-samsvarserklæringen er tilgjengelig på Petzl.com.

Når du bruker dette utstyret må du ha en regningsplan, og mulighet til å iverksette denne raskt.

Systemets forankringspunkt bør fortrinnsvis være over posisjonen til brukeren og bør være i henhold til kravene i EN 795 (bruddstyrke på minimum 12 kN).

Ved bruk av fallsikringsystemer må det alltid være tilstrekkelig klaring under brukeren for å unngå sammenstøt med bakken eller andre strukturer ved et eventuelt fall.

Sorg for at forankringen er korrekt plassert for å redusere risikoen for, og lengden på, et eventuelt fall.

Kun godkjente fallsikringsseleer kan brukes i et falloppfangende system.

Ved bruk av flere utstyr samtidig kan farlige situasjoner oppstå dersom sikkerhetsfunksjonen i ett utstyr påvirker sikkerhetsfunksjoner på annet utstyr.

ADVARSEL - FARE: Påse at produkter ikke gnisser mot materialer med slipeeffekt eller skarpe kanter.

Brukere må være i medisinsk forsvarlig stand til å drive med aktivitet i høyden.

ADVARSEL: Det å henge ubevegelig i en sele kan medføre personskade eller død.

Bruksanvisningene for alt utstyr som brukes sammen med dette produktet, må følges.

Bruksanvisningene må leveres på språket som benyttes i brukslandet.

Oppbevar bruksanvisningene på et fast sted etter de fjernes fra produktene, slik at de er tilgjengelige ved behov.

Påse at produktets merking er synlige og leselige.

Når skal utstyret kasseres:

ADVARSEL: Spesielle hendelser kan begrense produktets levetid til kun én gangs bruk, avhengig av type bruk, hvor ofte det brukes og miljøet det utsettes for. Eksempler på dette er eksponering for barskt klima, saltvann, skarpe kanter, ekstreme temperaturer, kjemiske produkter osv.

Et produkt må kasseres når:

- Det har passert den tiltenkte levetiden.
 - Det har tatt et kraftig fall eller stor belastning.
 - Det ikke blir godkjent i kontroll, eller du er i tvil om det er pålitelig.
 - Du ikke kjenner produktets fullstendige historie (f.eks. uleselig produktmerking).
 - Det blir foreldet på grunn av utvikling og endring av lovtekster, standarder, bruksteknikker, og når det blir inkompatibelt med annet utstyr osv.
- Destruer disse produktene for å hindre videre bruk.

Symboler:

A. Ubegrenset levetid - B. Temperaturbegrensninger - C. Forholdsregler for bruk - D. Rengjøring/desinfeksjon - E. Tøking - F. Oppbevaring/transport - G. Vedlikehold - H. Modifikasjoner/reparasjoner (som ikke er godkjent av Petzl er forbudt, med unntak av utbyttbare deler) - I. Spørsmål/kontakt oss

3 års garanti

På alle materielle feil og fabrikkasjonsfeil. Følgende dekkes ikke av garantien: normal slitasje, oksidering, endringer eller modifikasjoner, feil lagring, dårlig vedlikehold eller annen bruk enn det produktet er beregnet for.

Advarselssymboler

1. Situasjonen skaper overhengende fare for alvorlig personskade eller død. 2. Eksponering for potensiell ulykke eller personskade. 3. Viktig informasjon om produktets funksjon og virkemåte. 4. Utstyret er ikke kompatibelt.

Sporbarhet og merking

a. Er godkjent i henhold til PVU-direktivet. Teknisk kontrollorgan som utfører EU-typegodkjenningen - b. Nummer på det tekniske kontrollorganet som godkjenner produksjonsprosessen av dette PVU - c. Sporbarhet: identifikasjonsmåte - d. Taukompatibilitet - e. Serienummer - f. Produksjonsår - g. Produksjonsmåned - h. Batch-nummer - i. Individuelt identifikasjonsnummer - j. Standarder - k. Les bruksanvisningen grundig - l. Modellidentifikasjon - m. Nominell maksimal belastning - n. ANSI/ASSP kontrollorgan for sertifisering - o. Produsentens adresse

Niniejsza instrukcja przedstawia prawidłowy sposób używania waszego sprzętu. Zaprezentowane zostały niektóre techniki i sposoby użycia. Symbole trapezowe ostrzegają przed niektórymi niebezpieczeństwami związanymi z użyciem waszego sprzętu, ale nie jest możliwe wymienienie wszystkich zagrożeń. Należy sprawdzić uaktualnienia instrukcji oraz dodatkowe informacje na Petzl.com. Użytkownik ponosi odpowiedzialność za stosowanie się do każdego ostrzeżenia oraz do prawidłowego użycia swojego sprzętu. Każde złe użycie tego sprzętu będzie prowadziło do powstania dodatkowych zagrożeń. W razie wątpliwości lub trudności zrozumieniu instrukcji należy się skontaktować z Petzl.

1. Zastosowanie

Środek Chroniony Indywidualnej (ŚOI) chroniący przed upadkiem z wysokości.

ASAP LOCK: przesuwany przyrząd autoasekuracyjny z funkcją blokady

EN 12841 typ A: urządzenie regulacyjne dla linii asekuracyjnej. Przyrząd do autoasekuracji do systemu dostępu linowego, do użycia jednocześnie z przyrządem do przemieszczania się typu B lub C.

EN 353-2: urządzenie samozaciskowe z giętką prowadnicą. Główny przyrząd asekuracyjny w systemie zatrzymywania upadków.

Produkt ten może być poddawany obciążeniom przekraczającym jego wytrzymałość oraz stosowany do innych celów niż te, do których został przewidziany.

2. Odpowiedzialność

UWAGA

Wszelkie działania wymagające użycia tego produktu są z samej swej natury niebezpieczne.

Użytkownik ponosi odpowiedzialność za swoje działania, decyzje i bezpieczeństwo.

Przed użyciem produktu należy:

- Przeczytać i zrozumieć wszystkie instrukcje użytkownika.
- Zdobyć odpowiednie przeszkolenie dla prawidłowego użycia tego produktu.
- Zapoznać się z produktem, z jego parametrami i ograniczeniami.
- Zrozumieć i zaakceptować potencjalne niebezpieczeństwo.

Nieprzestrzeżenie lub zlekceważenie któregokolwiek z powyższych ostrzeżeń może prowadzić do poważnych uszkodzeń ciała lub do śmierci.

Produkt ten może być używany jedynie przez osoby kompetentne i odpowiedzialne lub pod bezpośrednią kontrolą takich osób.

Użytkownik ponosi odpowiedzialność za swoje działania, decyzje, bezpieczeństwo i odpowiada za konsekwencje. Jeżeli nie zamierza lub nie jest w stanie takiej odpowiedzialności i ryzyka podjąć, nie rozumiał instrukcji użytkownika, nie powinien posługiwać się tym sprzętem.

2. Oznaczenia części

(1) Obudowa, (2) Element łączący, (3) Śruba, (4) Oś łącząca, (5) Rozpórka, (6) Zapadki, (7) Ramię, (8) Oś obrotu ramienia, (9) Kółko blokujące, (10) Przycisk blokady, (11) STRING.

Materiały podstawowe: stop aluminium (obudowa, ramię), stal nierdzewna (kółko blokujące, element łączący), poliamid, poliester (liny).

3. Kontrola, miejsca do sprawdzenia

Wasze bezpieczeństwo jest związane z niezawodnością sprzętu.

Petzl zaleca przeprowadzanie dogłębnej kontroli przynajmniej raz na 12 miesięcy, przez osobę kompetentną (w zależności od prawodawstwa w waszym kraju oraz waszych warunków użytkowania). Uwaga: przy intensywnym użytkowaniu należy częściej wykonywać kontrolę waszego ŚOI. Należy przestrzegać procedur opisanych na Petzl.com. Na karcie kontrolnej waszego ŚOI należy zapisać rezultaty kontroli: typ sprzętu, model, nazwa i adres producenta lub dostawcy, numer seryjny lub indywidualny, daty: produkcji, zakupu, pierwszego użycia, następnych kontroli, wady, uwagi, nazwisko i podpis kontrolera.

Przed każdym użyciem

ASAP LOCK: sprawdzić prawidłowe założenie absorbera na element łączący i dobre zakręcenie śruby.

Sprawdzić brak śladów deformacji, zużycia, pęknięć, śladów uderzeń, korozji (na korpusie, kółku blokującym, ramieniu, elemencie łączącym). Sprawdzić dokręcenie śruby (prawidłowe założenie, brak luzu itd.).

Sprawdzić stan zapadki i sprawne działanie ich sprężyn.

Sprawdzić obrót ramienia wokół osi oraz skuteczność sprężyny. Sprawdzić czy kółko blokujące jest czyste i nieuszkodzone. Uwaga: jeżeli w kółku blokującym brakuje jednego lub więcej zębów, nie używać więcej tego ASAP LOCK.

Jeśli zęby są zabrudzone sprawdzić paragraf o czyszczeniu i konserwacji. Sprawdzić czy kółko blokujące obraca się swobodnie, w obu kierunkach. Lina: sprawdzić linę zgodnie z instrukcją producenta. Lina powinna być wycofana, jeśli zatrzymała upadek, jeśli uszkodzony jest rdzeń lub opłot albo jeśli była w kontakcie z produktami chemicznymi, które są dla niej szkodliwe.

Podczas użytkowania

Należy regularnie kontrolować stan produktu i jego połączenie z pozostałymi elementami systemu. Upewnić się co do prawidłowej pozycji elementów wyposażenia względem siebie.

Uwaga na obce przedmioty mogące zakłócić działanie kółka blokującego. Podczas pracy chronić przyrząd ASAP LOCK przed zanieczyszczeniami (farba, cement itd.). Upewnić się czy kółko blokujące jest cały czas w kontakcie z liną.

4. Kompatybilność

Należy sprawdzić kompatybilność tego produktu z pozostałymi elementami systemu w określonym zastosowaniu (kompatybilność = prawidłowe wzajemne funkcjonowanie).

Elementy wyposażenia używane z waszym przyrządem ASAP LOCK muszą być zgodne z obowiązującymi normami (na przykład łączniki EN 361 w Europie).

Upstrząż:

Wpiąć absorber energii waszego przyrządu ASAP LOCK, do punktu wpinania uprząży chroniącego przed upadkiem wysokości.

Lonża z absorberem energii:

Przyrząd ASAP LOCK należy używać wyłącznie z kompatybilnymi absorberami energii Petzl:

- ASAP[®]SORBER 20 i 40.

- ASAP[®]SORBER ACCESS.

Absorber energii nie może być przedłużony (maksymalnie o długość łącznika: maksymalnie 12 cm długości).

Lina, użycie EN 12841 typ A:

Przyrząd ASAP LOCK należy używać z linami półstatycznymi o średnicy od 10 do 13 mm (rdzeń + opłot) EN 1891 typ A.

Liny testowane podczas certyfikacji UE EN 12841 typ A:

- Petzl CLUB 10 mm.

- Teufelberger KM III 13 mm.

Lina, użycie EN 353-2:

Przyrząd ASAP LOCK należy używać wyłącznie z linami testowanymi podczas certyfikacji UE EN 353-2: 2002:

- Petzl PARALLEL 10,5 mm.

- Petzl AXIS 11 mm.

- Petzl ASAP[®]AXIS 11 mm.

5. Zasada działania

Przy umiarowanej prędkości rolka blokująca swobodnie obraca się w obie strony. Podczas szybkiego ruchu w dół, obrót kółka blokującego zostaje zatrzymany, a lina blokuje się przez zaciśnięcie między kółkiem blokującym a korpusem przyrządu. Funkcja blokująca: funkcja blokady pozwala użytkownikowi na unieruchomienie przyrządu, by zmniejszyć wysokość upadku.

6. Założenie i test działania ASAP LOCK

Przygotowanie:

Używać wyłącznie oryginalnej śruby z waszego ASAP LOCK. Przed montażem należy nałożyć środek zabezpieczający gwinty przed odkręcaniem.

Założyć absorber i zamknąć element łączący. Zakręcić, sprawdzić prawidłowe ułożenie osi i zakręcenie śruby.

Dla zapewnienia prawidłowych parametrów przyrządu, śruba musi być prawidłowo założona i dokręcona wskazanym momentem. Wyłącznie użycie klucza dynamometrycznego pozwala na kontrolę prawidłowego momentu dokręcania.

Wpęcie do uprząży:

Częste wpinanie: używać łącznika EN 362 z blokadą TRIACT-LOCK, z systemem utrzymującym w osi podłużnej (STRING, CAPTIV itd.).

Wpęcie tymczasowe: używać łącznika zamykanego narzędziem (RING OPEN, SWIVEL OPEN, mailon rapide itd.).

Instalacja: otworzyć zapadki, by wprowadzić linę do obudowy, zamknąć zapadki, by kółko blokujące uchwyciło linę.

Uwaga: ASAP LOCK jest przyrządem, który blokuje się tylko w jednym kierunku.

Niebezpieczeństwo śmierci, jeśli ASAP LOCK zostanie wpięty na linę odwrotnie.

Przy każdorazowym założeniu należy wykonać test działania.

Odblokowanie: po wykonaniu testu działania należy odblokować kółko blokujące by mogło swobodnie przesuwać się po linie.

Funkcja blokująca: użyć przycisku blokady, by uniemożliwić przesuwanie się przyrządu ASAP LOCK w dół liny. Uwaga: w razie przypadkowego zawiśnięcia na zablokowanym przyrządzie ASAP LOCK, nie da się go odblokować pod obciążeniem.

7. Środki ostrożności podczas użytkowania

Podczas wiązania węzła na linie istnieje możliwość zrobienia ogranicznika.

Należy regularnie sprawdzać dobre przemieszczanie się przyrządu ASAP LOCK, by upewnić się, że nie powstanie pętla z luzu, która mogłaby zwiększyć wysokość potencjalnego upadku.

Dynamiczne obciążenie może uszkodzić linę. Jeżeli lina ASAP LOCK jest obciążona,

użytkownik musi zapewnić sobie dodatkowe środki bezpieczeństwa.

Użycie na powierzchni ukośnej:

Uwaga: podczas ślizgania się z małą prędkością, na dachu o niewielki pochyleniu, ASAP LOCK może nie zadziałać natychmiastowo. Należy zawiązać węzeł na linie w razie wystąpienia ryzyka uderzenia o przeszkodę.

8. Wolna przestrzeń

Wolna przestrzeń jest to minimalna wymagana odległość pod użytkownikiem, by nie uderzył o przeszkodę w razie upadku.

Kalkulacja wolnej przestrzeni uwzględnia:

- Wysokość upadku.
- Drogę zatrzymania przyrządu ASAP LOCK.
- Długość po rozdarciu absorbera energii.
- Średni wzrost użytkownika.
- Margines bezpieczeństwa 1 m.

Wydłużenie liny (E) zależy od sytuacji i musi być uwzględnione w waszych obliczeniach wolnej przestrzeni.

Więcej informacji w poradach technicznych ASAP LOCK na stronie Petzl.com.

Przedstawione wartości opierają się na teoretycznych szacunkach oraz testach odpadnięć z masą sztywną.

W systemie zatrzymywania upadków należy uwzględnić długość łączników, która ma wpływ na wysokość upadku.

9. Czyszczenie, konserwacja

Chronić mechanizm rolki blokującej przed dostaniem się do wnętrza jakiegokolwiek cieczy.

Użycie rozpuszczalnika do czyszczenia zębów rolki blokującej nie jest zalecane, niemniej możliwe jest ostrożne jego użycie przy pomocy pędzelka, tak by uniknąć zachłapania mechanizmu.

10. Dodatkowe informacje

Ten produkt jest zgodny z rozporządzeniem (UE) 2016/425 w sprawie środków ochrony indywidualnej. Deklaracja zgodności UE jest dostępna na Petzl.com.

- Należy przewidzieć odpowiednie sposoby ratownictwa do szybkiej interwencji w razie trudności.

- Punkt stanowiskowy powinien znajdować się nad użytkownikiem i spełniać wymagania normy EN 795 (wytrzymałość minimum 12 kN).

- W systemie chroniącym przed upadkiem z wysokości, przed każdym użyciem, niezbędne jest sprawdzenie wymaganej wolnej przestrzeni pod użytkownikiem, by w razie upadku uniknąć uderzenia o ziemię lub przeszkodę.

- Sprawdzić czy punkt stanowiskowy jest prawidłowo osadzony, aby zmniejszyć ryzyko i wysokość odpadnięcia.

- Uprząż chroniąca przed upadkiem z wysokości jest jedynym urządzeniem obejmującym ciało, które jest dozwolone do użycia w systemie chroniącym przed upadkiem z wysokości.

- Niebezpieczeństwo: podczas użycia wielu elementów wyposażenia, poszczególne przyrządy mogą nawzajem zakłócać prawidłowe, bezpieczne funkcjonowanie.

- UWAGA - NIEBEZPIECZEŃSTWO: należy zwracać uwagę by wasze produkty nie tarły o szorstkie czy ostre krawędzie.

- Nie uprawiać działalności wysokościowej, jeśli istnieje jakiegokolwiek medyczne przeciwwskazania. UWAGA: bezwładne wiszenie w uprząży może doprowadzić do poważnych zaburzeń fizjologicznych lub śmierci.

- Dołączone do produktu instrukcje użytkownika muszą być zawsze przestrzegane.

- Użytkownikowi muszą być dostarczone instrukcje obsługi w języku jakiego się używa w kraju użytkownika.

- Instrukcje obsługi należy zachować na stałe w dokumentacji, by móc je sprawdzić po odłączeniu od waszych produktów.

- Upewnić się co do widoczności oznaczeń na produkcie.

Użyłacja:

UWAGA: w wyjątkowych okolicznościach może się zdarzyć, że jednorazowe użycie sprzętu spowoduje jego zniszczenie (rodzaj i intensywność użytkowania, środowisko użytkownika: środowiska agresywne, środowiska morskie, ostre krawędzie, ekstremalne temperatury, substancje chemiczne itd.).

Produkt musi zostać wycofany jeżeli:

- Przekroczył swoją żywotność.

- Zaliczył poważny upadek (lub obciążenie).

- Rezultat kontroli nie jest satysfakcjonujący. Istnieje jakiegokolwiek podejrzenia co do jego niezawodności.

- Nie jest znana pełna historia użytkownika (na przykład oznaczenie produktu jest nieczytelne).

- Jeśli jest przestarzały (rozwoj prawny, normatywny lub niekompatybilność z innym wyposażeniem itd.).

Należy zniszczyć wycofane produkty, by uniknąć ich przypadkowego użycia.

Piktogramy:

A. Czas życia nieilimitowany - B. Tolerowane temperatury - C. Środki ostrożności podczas użytkowania - D. Czyszczenie/dezynfekcja - E. Suszenie - F. Przechowywanie/transport - G. Konserwacja - H. Modyfikacje lub naprawy, wykonywane poza fabrykami Petzl, są zabronione (nie dotyczy części zamiennych) - I. Pytania/kontakt

Gwarancja 3 lata

Dotyczy wszelkich wad materiałowych i produkcyjnych. Gwarancji nie podlegają produkty: noszące cechy normalnego zużycia, zardzewiałe, przerabiane i modyfikowane, nieprawidłowo przechowywane, uszkodzone w wyniku wypadków, zaniedbań i zastosowań niezgodnych z przeznaczeniem.

Znaki ostrzegawcze

1. Sytuacja grożąca nieuchronnym ryzykiem poważnego obrażenia lub śmierci. 2. Narażenie na potencjalne ryzyko incydentu lub zranienia. 3. Ważna informacja na temat działania lub parametrów waszego produktu. 4. Niekompatybilność sprzętowa.

Identyfikacja i oznaczenia

a. Zgodny z wymaganiami rozporządzenia ŚOI. Jednostka notyfikowana do zastosowania procedury weryfikacji UE - b. Numer jednostki notyfikowanej kontrolującej produkcję tego ŚOI - c. Identyfikacja: datamatrix - d. Kompatybilność z linami - e. Numer indywidualny - f. Rok produkcji - g. Miesiąc produkcji - h.

Numer partii - i. Identyfikator - j. Normy - k. Przeczytać uważnie instrukcję obsługi - l. Identyfikacja modelu - m. Maksymalne obciążenie nominalne - n. Jednostka certyfikująca ANS/ASSP - o. Adres producenta

本書では、製品の正しい使用方法を説明しています。技術や使用方法については、いくつかの例のみを掲載しています。製品の使用に関連する危険については、警告のマークが付いています。ただし、製品の使用に関連する危険の全てをここに網羅することはできません。最新の情報や、その他の補足情報等は Petzl.com で参照できますので、定期的に確認してください。警告および注意事項に留意し、製品を正しく使用する事は、ユーザーの責任です。本製品の誤った使用は危険を増加させます。疑問点や不明な点は(株)アルテリア (TEL 04-2968-3733) にご相談ください。

1.用途

本製品は墜落からの保護を目的として使用する個人用保護具 (PPE) です。

ASAP LOCK: ロック機能付ロープ用モバイルフォールアラスター

EN 12841 type A: バックアップロープ用モバイルフォールアラスターです。ロープアクセスシステムにおけるバックアップ器具で、タイプ B の登高器やタイプ C の下降器と合わせて使用します。EN 353-2: プレキシブルアンカーラインを含むモバイルフォールアラスターです。フォールアラレストシステムにおいて使用する確保器具です。本製品の限界を超えるような使用をしないでください。また、本来の用途以外での使用はしないでください。

責任

警告

この製品を使用する活動には危険が伴います。ユーザー各自が自身の行為、判断、および安全の確保についてその責任を負うこととします。

使用する前に必ず:
- 取扱説明書をよく読み、理解してください
- この製品を正しく使用するための適切な指導を受けてください
- この製品の機能とその限界について理解してください
- この製品を使用する活動に伴う危険について理解してください
これらの注意事項を無視または軽視すると、重度の傷害や死につながる場合があります。

この製品は使用方法を熟知していて責任能力のある人、あるいはそれらの人から目の届く範囲で直接指導を受けられるのみ使用してください。ユーザー各自が自身の行為、判断、および安全の確保について責任を負い、またそれによって生じる結果についても責任を負うこととします。各自で責任がとれない場合や、その立場にない場合、また取扱説明書の内容を理解できない場合は、この製品を使用しないでください。

2.各部の名称

(1) フレーム、(2) コネクションアーム、(3) ネジ、(4) 接続ピン、(5) スペーサー、(6) セーフティキャッチ、(7) アーム、(8) アームの軸、(9) ジャミングローラー、(10) ロックボタン、(11) STRING
主な素材: アルミニウム合金 (フレーム、アーム)、ステンレススチール (ジャミングローラー、コネクションアーム)、ポリエステル、ナイロン (ロープ)

3.点検のポイント

器具の状態は、ユーザーの安全に大きく関係します。ベツルは、十分な知識を持つ適任者による詳細点検を、少なくとも12ヶ月ごとに行うことをお勧めします (国や地域における法規や、使用状態によっても変わります)。警告: 使用頻度によっては、より頻繁に個人用保護具 (PPE) を点検する必要があります。Petzl.com で説明されている方法に従って点検してください。個人用保護具 (PPE) の点検結果を点検フォームに記録してください: 種類、モデル、製造者の連絡先、個別番号、製造日、購入日、初回使用時の日付、次回点検予定日、問題点、コメント、点検者の名前および署名。

毎回、使用前に

ASAP LOCK: アプソーパーがコネクションアームに正しく接続されていることおよびネジが適切に締められていることを確認してください。フレームおよびジャミングローラー、アーム、コネクションアームに、亀裂、傷、変形、摩耗、腐食がないことを確認してください。ネジがしっかりと締まっていることを確認してください (正しく取り付けられ、ゆるみがないこと等)。セーフティキャッチの状態を確認し、スプリングが正しく機能することを確認してください。アームが軸を中心に動くことおよびスプリングが正しく機能することを確認してください。ジャミングローラーが汚れていないこと、および歯がすり減っていないことを確認してください。警告: 歯が1つでも欠けている場合は、ASAP LOCK を使用しないでください。歯が汚れている場合は、メンテナンスとクリーニングの項を確認してください。ジャミングローラーを両方向に1回転させ、スムーズに回転することを確認してください。ロープ: 製造元の取扱説明に従ってロープの状態を確認してください。一度墜落を止めたロープは使用しないでください。またロープの芯が損傷している、あるいは外皮に損傷やしみがあるロープは使用しないでください。

使用中の注意点

この製品および併用する器具 (連結している場合は連結部を含む) に常に注意を払い、状態を確認してください。全ての構成器具が正しくセットされていることを確認してください。異物により、ジャミングローラーとロープの接触やジャミングローラーの回転が妨げられないように注意してください。作業中は、ASAP LOCK を液体の飛散 (塗料、セメント等) から保護してください。ジャミングローラーが常にロープに接触していることを確認してください。

4.適合性

この製品がシステムの中のその他の器具と併用できることを確認してください (併用できる = 相互の機能を妨げない)。ASAP LOCK と併用する器具は、使用する国における最新の規格に適合していなければなりません (例: ヨーロッパにおけるハーネスの規格 EN 361 等)。

ハーネス:

ASAP LOCK に取り付けられたエネルギーアプソーパーは、ハーネスのフォールアラレストアタッチメントポイントに連結してください。

エネルギーアプソーパー付ランヤード:

ASAP LOCK は必ず併用可能なベツル製エネルギーアプソーパーと併用してください:
- ASAP SORBER 20 および 40
- ASAP SORBER AXESS
エネルギーアプソーパーを延長して使用しないでください (コネクタ 1 個の長さが許容限度です: 最長 12 cm)。

ロープ (EN 12841 Type A 適合の使用):

ASAP LOCK には、EN 1891 Type A に適合した直径 10~13 mm のセミステティックロープを使用してください。EU EN 12841 タイプ A の認証試験で使用されたロープ:
- Petzl CLUB 10 mm
- Teufelberger KM III 13 mm

ロープ (EN 353-2 適合の使用):

ASAP LOCK には、EU EN 353-2:2002 の認証試験で使用された以下のロープのみを使用してください:
- Petzl PARALLEL 10.5 mm
- Petzl AXIS 11 mm
- Petzl ASAP AXIS 11 mm

5.機能の原理

適度な速度の場合、ジャミングローラーは両方向に回転します。速い速度で下方に動くと、ジャミングローラーの回転が止まります。ロープをジャミングローラーとフレームの間に挟んでロックします。ロック機能: ロック機能が付いているため、動かないように固定して墜落距離を短くできます。

6.ASAP LOCK のセット方法と機能の確認

準備:
ASAP LOCK に付属のネジのみを使用してください。ネジを取り付ける前にネジロック剤を付けてください。エネルギーアプソーパーをセットし、コネクションアームを閉じてください。ネジを締め、正しい位置に入っていることおよびしっかりと締められていることを確認してください。器具が正しく機能するには、ネジを正しく取り付け、指定のトルクで締める必要があります。トルクレンチの使用によってのみ、トルク値が正しいことを確認することができます。

ハーネスへの接続:
頻繁に付け外しをする場合: EN 362 に適合の TRIACT-LOCK を採用したロックングカラビナを使用し、コネクタを正しい位置に維持するためのシステム (STRING, CAPTIV 等) を使用してください。長期閉鎖する場合は、閉鎖に工具が必要なコネクタ (RING OPEN, SWIVEL OPEN, クイックリンク等) を使用してください。

ロープへのセット: セーフティキャッチを開き、ロープをフレーム内に通します。セーフティキャッチを閉じ、ジャミングローラーをロープに当てます。

警告: ASAP LOCK には使用できる方向があり、1 方向の動きに対してのみロックします。ASAP LOCK を上下逆向きにセットすると死につながる危険があります。毎回セットする度に機能確認を行ってください。ロックの解除: 機能確認をした後はロックを解除し、ロープ上を移動する元の状態に戻してください。

ロック機能: ジャミングローラーに付いているロックボタンを使うと、ASAP LOCK がロープ上で下に動かないようにロックすることができます。警告: ASAP LOCK が荷重された状態ではロックボタンを解除することはできません。

7.使用上の注意

ロープに結び目を作って、ストッパーノットとすることができます。移動中は、ロープが ASAP LOCK の中をスムーズにスライドしていることを常に確認し、ロープにたるみができないように注意してください。たるみができると潜在的な墜落距離が長くなる可能性があります。

動的に過度な荷重がかかると、ロープが損傷する可能性があります。ASAP LOCK のセットされたロープに荷重がかかっている場合、ユーザーは別のバックアップ用ロープを用意する必要があります。

緩傾斜地での使用:

警告: 傾斜の緩い屋根でゆっくりと滑り落ちた場合などにおいては、ASAP LOCK は直ちに作動しないことがあります。障害物に衝突する危険がある場合は、必ずロープにストッパーノットを設定してください。

8.クリアランス

クリアランスとは、墜落時に障害物と接触することを防ぐため、ユーザーの下に最低限確保されるべき空間のことを言います。クリアランスの計算には以下の要素が含まれます:

- 墜落の距離
- ASAP LOCK がロックするまでの距離
- エネルギーアプソーパーの伸長
- ユーザーの身長
- 安全マージン: 1 m

ロープの伸び (E) は、状況によって変わります。これもクリアランスの計算に含まれるべきではありません。詳細については Petzl.com で ASAP LOCK の技術情報をご参照ください。ここでは、理論上の計算とおもりに使用した落下試験を基に算出した数値を紹介しています。フォールアラレストシステムでは、墜落距離に関係するコネクタの長さも考慮に入れてください。

9.メンテナンス、クリーニング

ジャミングローラーの内部に液体が入らないようにしてください。ジャミングローラーの歯を洗浄する際に、溶剤を使用することはお勧めしません。溶剤を使用する場合は、ブラシを使い、内部に溶剤が入らないように注意してください。

10.補足情報

本製品は個人用保護具に関する規則 (EU) 2016/425 に適合しています。EU 適合宣言書は Petzl.com で確認できます。
- ユーザーは、この製品の使用中に問題が生じた際にすみやかに対処できるよう、レスキュープランとそれに必要となる装備をあらかじめ用意しておく必要があります
- システム用のアンカーは、ユーザーの体より上にとるようにしてください。アンカーは、最低でも 12 kN の強度を持ち、EN 795 の要求

事項を満たしていなければなりません
- フォールアラレストシステムでは、墜落した際に地面や障害物に衝突することがないよう、毎回使用前に十分なクリアランスがユーザーの下に確保されていることを確認する必要があります
- 墜落距離を短くし、危険を少なくするため、アンカーが適切な位置に設置されていることを確認してください
- フォールアラレストシステムで身体のサポートに使用できるのは、フォールアラレストハーネスのみです
- 複数の器具を同時に使用する場合、1 つの器具の安全性が、別の器具の使用によって損なわれる場合があります
- 警告: 危険: 製品がざらざらした箇所や尖った箇所ですすれないように注意してください
- ユーザーは、高所での活動が行える良好な健康状態にあることが必要です。警告: ハーネスを着用して動きの取れない状態のまま吊り下げられると、重度の傷害や死に至る危険があります
- 併用する全ての用具の取扱説明書をよく読み、理解してください
- 取扱説明書は、製品と一緒にユーザーの手に届かなければなりません。また、取扱説明書は製品が使用される国の言語に訳されていないければなりません
- 取扱説明書は、用具から取り外した後も参照できるように、永久保存してください
- 製品に記載されたマーキングが読めなくならないように注意してください

廃棄基準:

警告: 極めて異様な状況においては、1 回の使用で損傷が生じ、その後使用不可能になる場合があります (劣悪な使用環境、海に近い環境での使用、鋭利な角との接触、極端な高/低温下での使用や保管、化学薬品との接触等)。以下のいずれかに該当する製品は以後使用しないでください:
- 耐用年数を経過した
- 大きな墜落を止めた、あるいは非常に大きな荷重がかかった
- 点検において使用不可と判断された。製品の状態に疑問がある
- 完全な使用履歴が分からない (例: 判読できない製品のマーキング)
- 該当する規格や法律の変更、新しい技術の発達、また他の器具との併用に適さない等の理由で、使用には適さないと判断された
このような製品は、以後使用することを避けるため廃棄してください。

アイコン:

A. 耐用年数 (特に設けていません) - B. 使用温度 - C. 使用上の注意 - D. クリーニング/消毒 - E. 乾燥 - F. 保管/持ち運び - G. メンテナンス - H. 改造/修理 (パーツの交換を除き、ベツルの施設外での製品の改造および修理を禁じます) - I. 問い合わせ

3 年保証

原材料および製造過程における全ての欠陥に対して適用されます。以下の場合は保証の対象外とします: 通常の磨耗や傷、酸化、改造や改変、不適切な保管方法、メンテナンスの不足、事故または過失による損傷、不適切または誤った使用方法による故障。

警告のマーク

1. 重傷または死につながるおそれがあります。2. 事故や怪れにつながる危険性があります。3. 製品の機能や性能に関する重要な情報です。4. してはいけない内容です。

トレーサビリティとマーキング

a. 個人用保護具の規格の要求事項に適合。EU 型式検定を行った公認認証機関 - b. この個人用保護具の製造を監査する公認機関の ID 番号 - c. トレーサビリティ: データマトリクスコード - d. ロープの適合性 - e. 個別番号 - f. 製造年 - g. 製造月 - h. ロープ番号 - i. 個体識別番号 - j. 規格 - k. 取扱説明書をよく読んでください - l. モデル名 - m. 最大使用荷重 - n. ANSI/ASSP 認証機関 - o. 製造者住所

Tyto pokyny vysvětlují, jak správně používat vaše vybavení. Popsány jsou pouze některé techniky a způsoby použití. Varující symboly upozorňují na některá potenciální nebezpečí spojená s použitím vašeho vybavení, ale není možné uvést všechny případy. Navštivte Petzl.com a sledujte aktualizace a doplňkové informace. Vaši odpovědnosti je věnovat pozornost každému upozornění a používat vaše vybavení správným způsobem. Jakékoliv nesprávné použití tohoto vybavení navýší nebezpečí. Máte-li jakékoli pochybnosti nebo obtíže s porozuměním návodu, kontaktujte firmu Petzl.

1. Rozsah použití

Osobní ochranný prostředek (OOP) používaný při ochraně proti pádu.

ASAP LOCK: pohyblivý zachycovač pádu pro poddajná zajišťovací vedení, s blokovací funkcí

EN 12841 typ A: nastavovací zařízení pro zajišťovací lano. Zajišťovací prostředek pro lanový přístup, používaný společně s výstupovými prostředky typu B nebo C. EN 353-2: Pohyblivý zachycovač pádu na poddajném vedení. Primárně se používá jako zajišťovací prostředek v systému zachycení pádu. Tento výrobek nesmí být používán přes limity své pevnosti, ani k jiným účelům, než pro které je určen.

Zodpovědnost

UPOZORNĚNÍ

Činnosti zahrnující používání tohoto výrobku jsou z podstaty nebezpečné.

Za své jednání, rozhodování a bezpečnost zodpovídáte sami.

Před použitím tohoto výrobku je nutné:

- Přečíst si a prostudovat celý návod k použití.
- Nacvičit správné používání výrobku.
- Seznámit se s možnostmi výrobku a s omezeními jeho použití.
- Pochopit a přijmout rizika spojená s jeho používáním.

Opomenutí či porušení některého z těchto pravidel může vést k vážnému poranění nebo smrti.

Tento výrobek smí používat pouze odborně způsobilá a odpovědná osoba, nebo osoba pod přímým vedením a dohledem těchto osob.

Za své činy, rozhodnutí a bezpečnost zodpovídáte sami a stejně jste si vědomi možných následků. Jestliže nejste schopni, nebo nejste v pozici tuto zodpovědnost přijmout, nebo pokud nerozumíte jakékoliv z těchto instrukcí, výrobek nepoužívejte.

2. Popis částí

(1) Tělo, (2) Táhlo, (3) Šroub, (4) Spojovací kolík, (5) Mezerník, (6) Bezpečnostní západky, (7) Rameno, (8) Osa ramena, (9) Blokovací kotouč, (10) Zajišťovací tlačítko, (11) STRING.

Hlavní materiály: hliníková slitina (tělo, rameno), nerezová ocel (blokovací kotouč, táhlo), polyester, polyamid (lano).

3. Prohlídka, kontrolní body

Vaše bezpečnost závisí na neporušenosti vašeho vybavení.

Petzl doporučuje hloubkové revize odborně způsobilou osobou nejméně jedenkrát za 12 měsíců (v závislosti na aktuální legislativě ve vaší zemi, a na podmínkách použití). UPOZORNĚNÍ: intenzita vašeho používání může způsobit to, že bude potřeba častěji provádět revize OOP. Postupujte dle kroků uvedených na Petzl.com. Výsledky revize zaznamenejte ve vašem formuláři pro revize OOP: typ, model, kontakt na výrobce, sériové nebo kusové číslo, datum: výroby, prodeje, prvního použití, další periodické revize; problémy, poznámky, jméno a podpis inspektora.

Před každým použitím

ASAP LOCK: zkontrolujte správnou instalaci tlumiče pádu na táhlu a řádné dotažení zajišťovacího šroubu. Proveďte, nejsou-li přítomny jakékoliv praskliny, vrypky, deformace, opotřebení, korozie (na těle, kotouči, ramenu, táhlu). Ujistěte se, že šroubek je bezpečně dotažen (správná instalace, bez vůle...).

Ověřte stav bezpečnostních západek a funkcí jejich vratné pružiny. Zkontrolujte, zda se rameno otáčí na ose, a vratná pružina správně funguje. Zkontrolujte, zda je blokovací kotouč čistý a hroty na něm nejsou opotřebené. POZOR: jestliže jeden nebo více hrotů chybí, ASAP LOCK nepoužívejte. Jestliže jsou hroty znečištěné, postupujte podle odstavce Čištění a údržba. Zkontrolujte, zda se blokovací kotouč hladce otáčí, proveďte jednu kompletní otáčku oběma směry.

Lano: zkontrolujte stav lana dle návodu k použití výrobce. Lano musí být vyřazeno po zachycení pádu pokud jádro vypadá, že je poškozené, nebo došlo k poškození opletu.

Během používání

Je důležité pravidelně kontrolovat stav výrobku a jeho spojení s ostatním vybavením v systému. Vždy se předvídejte, jsou-li všechny součásti vybavení v systému navzájem ve správné poloze.

Pozor na cizí předměty, které mohou zabránit blokovacímu kotouči v kontaktu s lanem, nebo jeho otáčení. ASAP LOCK chraňte při práci před postříkáním (barvou, betonem, atd.). Blokovací kotouč musí být neustále nasazen na laně.

4. Slučitelnost

Ověřte si slučitelnost tohoto výrobku s ostatními prvky vašeho systému při daném použití (slučitelnost = dobrá součinnost). Veškeré vybavení používané s prostředkem ASAP LOCK musí splňovat současně normy pro vaši zemi (např. EN 361 postroje pro Evropskou, atd.).

Postroj:

Váš tlumič pádu zachycovače ASAP LOCK připojte do přípojovacího bodu pro zachycení pádu na vašem postroji.

Spojovací prostředek s tlumičem pádu:

ASAP LOCK používejte pouze s kompatibilními tlumiči pádu Petzl: - ASAP SORBER 20 a 40, - ASAP SORBER AXESS.

Tlumič pádu nesmí být prodlužován (jedna spojka maximálně: maximální délka 12 cm).

Lano, EN 12841 použití typ A:

ASAP LOCK používejte s nízkopružným lanem s opláštěným jádrem o průměru 10-13 mm EN 1891 typ A.

Lana použitá při certifikačním testu EU EN 12841 typ A:

- Petzl CLUB 10 mm,
- Teufelberger KM III 13 mm.

Lano, použití dle EN 353-2:

ASAP LOCK používejte pouze s lany testovanými během certifikace EU EN 353-2: 2002: - Petzl PARALLEL 10,5 mm, - Petzl AXIS 11 mm, - Petzl ASAP AXIS 11 mm.

5. Funkce

Při běžné rychlosti se blokovací kotouč volně otáčí oběma směry. Při rychlém pohybu směrem dolů se blokovací kotouč přestane otáčet a lano se zablokuje stlačením mezi kotouč a stěnu těla.

Blokovací funkce: integrovaná zajišťovací funkce, která umožní uživateli zastavit pomůcku na laně a snížit tak délku pádu.

6. ASAP LOCK instalace a zkušební funkčnosti

Příprava:

Používejte pouze originální zajišťovací šroub pro ASAP LOCK. Před zašroubováním použijte lepidlo na závity. Nasaďte tlumič pádu a uzavřete táhlo. Dotáhněte, zkontrolujte polohu kolíku a dotažení šroubu.

Pro zajištění správné funkce vašeho zařízení musí být šroubek správně nainstalován a dotažen na uvedený točivý moment. Použití momentového klíče je jediný možný způsob, jak ověřit správnost točivého momentu.

Připojení k postroji:

Časté použití: použijte karabinu TRIACT-LOCK EN 362 s pojistkou zámkou, se systémem, který napomáhá udržovat karabinu v hlavní podélné ose (STRING, CAPTIV, atd.).

Dočasně-trvalé připojení k postroji: použijte systém dočasně-trvalého připojení pomocí nástroje (RING OPEN, SWIVEL OPEN, maticová spojka, atd.).

Instalace: otevřete bezpečnostní západky a lano umístěte do těla prostředku, odjistěte

západky a kotouč přitiskněte na lano.

Upozornění: ASAP LOCK je směrová pomůcka a blokuje pouze v jednom směru.

Nebezpečí smrti pokud je ASAP LOCK umístěn na laně obráceně.

Při každé instalaci proveďte zkušební funkčnosti.

Uvolnění: po provedení zkušební funkčnosti uvolněte kotouč, aby se normálně pohyboval po laně.

Blokovací funkce: použijte tlačítko blokovací funkce kotouče, která zabraňují pohybu zachycovače ASAP LOCK dolů po laně. Upozornění: v případě náhodného zavěšení do zablokování zachycovače ASAP LOCK ho netze odblokovat, pokud je stále zatížený.

7. Bezpečnostní opatření při použití

Možnost udlátat si zastávku při postupu uvázáním uzlu na laně.

Při výstupu pravidelně kontrolujte, zda lano správně klouže zachycovačem ASAP LOCK, abyste se vyvarovali prověšení lana, které by mohlo prodloužit délku případného pádu.

Dynamické přetížení může poškodit lano. Pokud je ASAP LOCK zatížen, musí mít uživatel k dispozici další zajišťovací systém.

Použití na šikmé ploše:

UPOZORNĚNÍ: v případě pomalého klouzání po málo nakloněné střeše, například, se ASAP LOCK nemusí aktivovat ihned. Pokud hrozí nebezpečí nárazu na překážku, nezapomeňte na laně uvázat zastavovací uzal.

8. Volná hloubka

Volná hloubka je minimální délka volného prostoru pod uživatelem, která ho chrání před nárazem na překážku v případě pádu.

U volné hloubky se počítá:

- Hmotnost uživatele.
 - Délka potřebná pro zastavení zachycovače ASAP LOCK.
 - Délka roztržení tlumiče energie pádu.
 - Průměrná výška uživatele.
 - Bezpečnostní přídatek 1 metr.
- Elastičita lana (E) závisí na dané situaci musí být přidána do výpočtu volné hloubky. Více informací naleznete v kapitole ASAP LOCK technical tips na Petzl.com. Použité hodnoty jsou založeny na teoretických předpokladech a na pádových zkouškách prováděných s pevným závažím.

V systému zachycení pádu počítejte s délkou jakýchkoliv spojek, které mohou mít vliv na délku pádu.

9. Údržba, čištění

Vyhnete se kontaktu jakékoliv kapaliny s mechanismem blokovacího kotouče.

Pro čištění hrotů kotouče nedoporučujeme používat rozpouštědlo, lze ho použít v případě, že se aplikuje kartáčem, v takovém případě dejte pozor, aby se rozpouštědlo nedostalo do mechanismu.

10. Doplňkové informace

Tento produkt splňuje Nařízení (EU) 2016/425 o osobních ochranných prostředcích. Prohlášení o shodě EU je dostupné na Petzl.com.

- Musíte mít zachránny plán a prostředky pro jeho rychlou realizaci v případě obtíží vzniklých při používání tohoto vybavení.

- Kovčící zařízení/bod by se měl přednostně nacházet nad polohou uživatele a měl by splňovat požadavky normy EN 795 (minimální pevnost 12 kN).

- V systému zachycení pádu je důležité před použitím zkontrolovat požadovanou volnou hloubku pod uživatelem, aby se v případě pádu předešlo nárazu na překážku, nebo na zem.

- Zkontrolujte správnou polohu kotvícího bodu, aby bylo minimalizováno nebezpečí a délka pádu.

- Zachycovací postroj je jediný povolený prostředek pro ochranu těla v systému zachycení pádu.

- Jestliže používáte různé části výstroje, může nastat nebezpečná situace, ve které je zabezpečovací funkce jedné součásti narušena funkcí jiné součásti výstroje.

- POZOR - NEBEZPEČÍ: vyvarujte se odíraní tohoto výrobku o drsné povrchy a ostré hrany.

- Uživatelé provádějící aktivity ve výškách a nad volnou hloubkou musí být v dobrém zdravotním stavu. UPOZORNĚNÍ: nehybné zavěšení v postroji může způsobit vážné zranění nebo smrt.

- Je nutné dodržovat pokyny pro použití každého prostředku, který je použit ve spojení s tímto produktem.

- Návod k použití musí být dodán uživateli v jazyce té země, ve které bude vybavení používáno,

- Návodky k použití si po odstranění z produktů uchovejte pro pozdější potřebu.

- Označení produktu udržujte čitelné.

Kdy vaše vybavení vyřadit:

UPOZORNĚNÍ: některé výjimečné situace mohou způsobit okamžité vyřazení výrobku již po prvním použití, to závisí na druhu, intenzitě a prostředí ve kterém je výrobek používán (znečištěné prostředí, mořské prostředí, ostré hrany, vysoké teploty, chemikálie...).

Výrobek musí být vyřazen pokud:

- Přesáhne dobu své životnosti.
- Byl vystaven těžkému pádu nebo velkému zatížení.
- Neprojde periodickou prohlídkou. Máte jakékoli pochybnosti o jeho spolehlivosti.
- Neznáte jeho úplnou historii používání (např. nečitelné označení produktu).
- Se stane zastaralý vzhledem k legislativě, normám, technikám nebo slučitelnosti s ostatním vybavením...

Takový produkt znehodnotte, abyste zamezili jeho dalšímu použití.

Piktogramy:

A. Neomezená životnost - B. Povolené teploty - C. Bezpečnostní opatření - D. Čištění/dezinfekce - E. Sušení - F. Skladování/transport - G. Údržba - H. Úpravy/opravy (zakázány mimo provozovny Petzl, kromě výměny náhradních dílů) - I. Dotazy/kontakt

3letá záruka

Na vady materiálu a vady vzniklé ve výrobě. Nevztahuje se na vady vzniklé: běžným opotřebením a roztržením, oxidací, úpravami nebo opravami, nesprávným skladováním, nedostatečnou údržbou, nedbalostí, nesprávným použitím.

Varovné symboly

1. Situace představující bezprostřední riziko vážného poranění nebo smrti. 2. Vystavení potenciálnímu riziku úrazu nebo poranění. 3. Důležitá informace týkající se fungování nebo chování vašeho výrobku. 4. Neslučitelnost vybavení.

Sledovatelnost a značení

a. Splňuje požadavky nařízení o OOP. Zkušebna provádějící certifikační zkoušky EU - b. Číslo označeného subjektu provádějícího kontrolu výroby tohoto OOP - c. Sledovatelnost: označení - d. Slučitelnost lan - e. Výrobní číslo - f. Rok výroby - g. Měsíc výroby - h. Sériové číslo - i. Individuální kontrola - j. Normy - k. Pozorně čtěte návod k používání - l. Identifikace typu - m. Maximální jmenovitá zátěž - n. Certifikační orgán ANS/ASSP - o. Adresa výrobce

V teh navodilih je razloženo, kako pravilno uporabljati svojo opremo. Opisane so samo nekatere tehnike in načini uporabe.

Opozorilni simboli vas opozarjajo o nekaterih možnih nevarnostih, ki so povezane z uporabo vaše opreme, vendar je nemogoče opisati vse. Za posodobitve in dodatne informacije preverjajte Petzl.com.

Odgovorni ste za upoštevanje vsakega opozorila in pravilno uporabo vaše opreme. Kakršna koli napačna uporaba te opreme pomeni dodatne nevarnosti. Če imate kakršna koli dvom ali težave z razumevanjem teh navodil, se obrnite na Petzl.

1. Področja uporabe

Osebná varovalna oprema (OVO), ki se uporablja za zaščito pred padci z višine.

ASAP LOCK: prenosni lovilec padca za vrh, s funkcijo zaklepanja

EN 12841 tip A: priprava za namestitvev na varovalno vrh. Rezervni pripomoček za dostop po vrvi, za uporabo s pripomočkom za napredovanje tipa B ali C.

EN 353-2: prenosni lovilec padca na gibljivih varnostnih vodilih. Primarna priprava za varovanje v sistemu za ustavljanje padca.

Tega izdelka ne smete uporabljati preko njegovih zmogljivosti ali za kateri koli drug namen, kot je zasnovan.

Odgovornost

OPOZORILO

Aktivnosti, pri katerih uporabljate ta izdelek, so same po sebi nevarne.

Sami ste odgovorni za svoja dejanja, odločitve in varnost.

Pred uporabo tega izdelka morate:

- prebrati in razumeti navodila za uporabo v celoti;
- ustrezno se usposobiti za njegovo uporabo;
- spoznati se z možnostmi in omejitvami izdelka;
- razumeti in sprejeti z uporabo izdelka povezano tveganje.

Neupoštevanje katerega koli od teh opozoril lahko povzroči resno poškodbo ali smrt.

Izdelek lahko uporabljajo le pristojne in odgovorne osebe ali tisti, ki so pod neposredno in vizualno kontrolo pristojne in odgovorne osebe.

Odgovorni ste za svoja dejanja, odločitve in varnost in prevzimate njihove posledice. Če niste pripravljeni ali se ne čutite sposobne prevzeti odgovornosti ali ne razumete katerega od teh navodil, ne uporabljajte tega izdelka.

2. Poimenovanje delov

(1) okvir, (2) nosilne vilice, (3) vijak, (4) spojna prečka, (5) distančnik, (6) varnostna zapora, (7) ročica, (8) os ročice, (9) zavorno kolo, (10) gumb za zaklepanje, (11) STRING Glavni materiali: aluminijeva zlitina (okvir, ročica), nerjavče jeklo (zavorno kolo, nosilne vilice), poliester, polamid (vrvi).

3. Preverjanje, točke preverjanja

Vaša varnost je odvisna od neoporečnosti vaše opreme.

Petzl priporoča podroben pregled, ki ga opravi pristojna oseba najmanj enkrat na vsakih 12 mesecev (odvisno od veljavnih predpisov v vaši državi in vaših pogojev uporabe). OPOZORILO: intenzivnejša uporaba je lahko razlog, da morate bolj pogosto pregledati svojo OVO. Sledite postopkom, ki so opisani na Petzl.com. Rezultate preverjanja vpišite v vaš obrazec pregleda OVO: tip, model, kontaktne informacije proizvajalca, serijsko ali individualno številko, datum izdelave, nakupa, prve uporabe, naslednjega periodičnega pregleda, težave, opombe, ime pregledovalca in podpis.

Pred vsako uporabo

ASAP LOCK: preverite, da je blažilec pravilno nameščen na nosilne vilice in da je vijak ustrezno privit.

Preverite, da ni prisotnih razpok, zarez, deformacij, obrabe, korozije (na okvirju, kolesu, ročici, nosilnih vilicah). Prepričajte se, da je vijak dobro privit (pravilna namestitvev, brez ohlapanosti...).

Preverite stanje varnostnih zapor in da njihova povratna vzmet dela.

Preverite, da se ročica zavrti okoli osi in da povratna vzmet deluje. Preverite, da je zavorno kolo čisto in da zobje niso obrabljeni. Opozorilo: v primeru, da kateri od zob manjka, pripomočka ASAP LOCK ne uporabljajte.

Če so zobje umazani, glajete odstavek Čiščenje, vzdrževanje. Preverite, da se zavorno kolo gladko vrti - preverite celoten obrat kolesa v obe smeri do konca in nazaj.

Vrv: stanje vrvi preverite v skladu z navodili proizvajalca. Vrv morate umakniti iz uporabe če je utrpela padec, se vam jedro zdi deformirano ali plašč poškodovan ali umazan.

Med uporabo

Pomembno je, da redno preverjate stanje izdelka in njegovo povezavo z drugo opremo v sistemu. Zagotovite, da so različni kosi opreme med seboj pravilno nameščeni.

Pazite se tulkov, ki lahko preprečijo, da bi zavornega kolo pritisnilo ob vrvi ali onemogočijo njegovo vrtenje. Vaš ASAP LOCK med delom zaščitite pred madeži (barva, cement...). Prepričajte se, da je zavorno kolo vedno na vrvi.

4. Skladnost

Preverite skladnost tega izdelka z ostalimi elementi sistema, ki jih uporabljate (skladnost = dobro vzajemno delovanje).

Oprema, ki jo uporabljate z ASAP LOCK-om mora biti skladna z veljavnimi standardi v vaši državi (npr. EN 361 pasovi v Evropi...).

Pas:

Pritrdite blažilec sunka priprave ASAP LOCK na navezovalno mesto za ustavljanje padca na vašem pasu.

Blažilec sunka s podaljškem:

ASAP LOCK uporabljate samo s skladnimi Petzlovimi blažilci sunka:

- ASAP'SORBER 20 in 40.
- ASAP'SORBER AXESS.

Blažilca sunka ne smete podaljševati (največ ena vezni člen: dolžina največ 12 cm.)

Vrv, EN 12841 tip A uporaba:

ASAP LOCK uporabljate z EN 1891 tip A oplaščenimi vrvmi z majhnim raztezkom premera 10-13 mm.

Preskušene vrvi med EU EN 12841 tip A certificiranjem:

- Petzl CLUB 10 mm.
- Teufelberger KM III 13 mm.

Vrv, EN 353-2 uporaba:

ASAP LOCK uporabljate z vrvmi, ki so bile testirane med certificiranjem za EU EN 353-2: 2002:

- Petzl PARALLEL 10.5 mm.
- Petzl AXIS 11 mm.
- Petzl ASAP*AXIS 11 mm.

5. Način delovanja

Pri zmerni hitrosti se zavorno kolo prosto vrti v obe smeri. Ko pride do hitrega spuščanja navzdol, se vrtenje zavornega kolesa ustavi, vrvi pa se blokira s pritiskom med kolo in okvir.

Funkcija zaklepanja: integrirana funkcija zaklepanja omogoča uporabniku ustavitvev priprave, da se zmanjša dolžina padca.

6. Namestitev priprave ASAP LOCK in test delovanja

Priprava:

Uporabljajte samo vaš ASAP LOCK originalen vijak. Pred privitjem dodajte na vijak tekoči polimer.

Namestite blažilec sunka in zaprite nosilne vilice. Privijte, preverite pravilno lego osi in privitost vijaka.

Da zagotovite pravilno delovanje vaše priprave, mora biti vijak pravilno nameščen in privit do navedenega navora. Uporaba momentnega ključa je edini način, da preverite ali je zatezni navor pravilen.

Pritrjevanje na pas:

Pogosto pritrjevanje: uporabite TRIACT-LOCK EN 362 vponko z matico s sistemom, ki ji pomaga ohraniti obremenjenost po glavni osi (STRING, CAPTIV...).

Poltrajna povezava: uporabite poltrajen vezni člen, ki se zapira z orodjem (RING OPEN, SWIVEL OPEN, hitro sponko...).

Namestitev: odprite varnostni zapori, da namestite vrvi v okvir, zaprite varovalni, da bo zavorno kolo zagrabilo vrvi.

Opozorilo: ASAP LOCK je smerni pripomoček in blokira le v eno smer. Smrtno nevarno, v primeru, da je ASAP LOCK nameščen na vrvi v obratni smeri.

Z vsako postavitev opravite test delovanja.

Sprostitev: po preizkusu delovanja sprostite kolo, da omogočite normalno premikanje po vrvi.

Funkcija zaklepanja: da bi preprečili premikanje priprave ASAP LOCK po vrvi navzdol, uporabite gumb za zaklepanje. Opozorilo: v primeru nenamerne začasne ustavitve na zaklenjenem ASAP LOCK-u, obremenjenega pripomočka ni mogoče odkleniti.

7. Varnostna opozorila za uporabo

Možnost zaustavitve z zavezovanjem vozla na vrvi.

Ko napredujete, redno preverjajte, da vrv pravilno drsi po ASAP LOCK, da bi se izognili ustvarjanju zank, ki bi lahko povečale potencialno dolžino padca.

Dinamična preobremenitev lahko poškoduje vrvi. Če je vrv s pripravo ASAP LOCK obremenjena, mora biti uporabnik opremljen z dodatnim varovanjem.

Uporaba na nagibu:

OPOZORILO: v primeru počasnega drsenja na strehi z nizkim kotom se ASAP LOCK morda ne bo takoj aktiviral. Če obstaja nevarnost, da zadanete ob oviro, se prepričajte, da ste na koncu vrvi naredili vozal.

8. Čistina

Čistina je najmanjši zahtevan prazen prostor pod uporabnikom, ki ga štiti, da v primeru padca ne zadane ob oviro.

Pri čištni upošteвайте:

- dolžina padca;
- dolžino ustavljanja ASAP LOCK;
- dolžino natrganega dela blažilca sunka;
- poprečno višino uporabnika;
- varnostno rezervo 1 metra.

Elastičnost vrvi (E) se spreminja glede na razmere in jo morate dodati pri izračunu čistine.

Za več informacij si oglejte tehnične nasvete ASAP LOCK na Petzl.com.

Predstavnjene vrednosti temeljijo na teoretičnih napovedih in testih padca s togo maso. V sistemu za ustavljanje padca upošteвайте dolžino vseh veznih členov, ki bodo imeli vpliv na dolžino padca.

9. Čiščenje, vzdrževanje

Izogibajte se vsakršne tekočine znotraj mehanizma zavornega kolesa.

Za čiščenje zob zavornega kolesa ni priporočljiva uporaba topil. Izjemoma je dovoljena, če uporabljate kratek in pri tem pazite, da topilo nebi prišlo v mehanizem.

10. Dodatne informacije

Ta izdelek ustreza zahtevam Uredbe (EU) 2016/425 o osebni varovalni opremi. EU izjava o skladnosti je na voljo na Petzl.com.

- Imeti morate naštir in potrebno opremo, da lahko v primeru težav, ki bi lahko nastale ob uporabi tega izdelka, takoj začnete z reševanjem.

- Nosilno pritrdišče sistema naj bo po možnosti nad uporabnikom in mora zadoščati zahtevam po preskusu tipa EN 795 (12 kN minimalna nosilnost).

- V sistemu za ustavljanje padca je bistveno, da pred vsako uporabo preverite zahtevan prazen prostor pod uporabnikom. Tako se v primeru padca izognete udarcu ob tla ali oviro.

- Zagotovite, da bo sidrišče pravilno nameščeno, da zmanjšate tveganje in višino padca.

- Pas za ustavljanje padca je edini dovoljeni pripomoček za podporo telesa v sistemu za ustavljanje padca.

- Pri uporabi več kosov opreme, lahko pride do nevarne situacije, v kateri varnostna funkcija enega dela opreme lahko vpliva na varnostno funkcijo drugega dela opreme.

- OPOZORILO - NEVARNO: poskrbite, da se vaš izdelek ne bi drgnil ob hrupave površine ali ostre robove.

- Uporabniki morajo biti zdravstveno sposobni za dejavnosti na višini. OPOZORILO: nedejavno visenje v pasu lahko povzroči resne poškodbe ali smrt.

- Upoštevat morate navodila za uporabo vsakega posameznega kosa opreme, ki ga uporabljate s tem izdelkom.

- Uporabnik mora dobiti izdelek opremljen z navodili za uporabo v jeziku države, kjer se ta oprema uporablja.

- Navodila za uporabo shranite v trajno mapo, da jih boste lahko po odstranitvi z izdelka ponovno pogledali.

- Zagotovite, da so oznake na izdelku čitljive.

Kdaj umakniti izdelek iz uporabe:

POZOR: izjemen dogodek je lahko razlog, da morate izdelek umakniti iz uporabe po samo enkratni uporabi, odvisno od tipa in intenzivnosti uporabe in okolja uporabe (groba okolja, morsko okolje, ostri robovi, ekstremsne temperature, kemikalije...).

Izdelek morate umakniti iz uporabe ko:

- je presegel svojo življenjsko dobo;
- je utrpel večji padec (ali preobremenitev);
- ni prestal preverjanja oz. imate kakršne koli dvom v njegovo zanesljivost;
- ne poznate njegove celotne zgodovine uporabe (npr. nečitljiva oznaka izdelka);
- ko je izdelek zastarel zaradi sprememb v zakonodaji, standardih, tehniki oz. neskladen z drugo opremo...

Da bi preprečili nadaljnjo uporabo, te izdelke uničite.

Ikone:

A. Neomejena življenjska doba - B. Sprejemljive temperature - C. Varnostna opozorila za uporabo - D. Čiščenje/razkuževanje - E. Sušenje - F. Shranjevanje/transport - G. Vzdrževanje - H. Priedbe/popravila (Izven Petzlovih delavnic so prepovedana. Izjema so rezervni deli.) - I. Vprašanja/kontakt

3-letna garancija

Za katere koli napake v materialu ali izdelavi. Izjeme: normalna obraba in izraba, oksidacija, predelave ali priredbe, neprimerno skladiščenje, slabo vzdrževanje, poškodbe nastale zaradi nepazljivosti ali pri uporabi, za katero izdelek ni namenjen oz. ni primeren.

Opozorilni simboli

1. Situacija, ki predstavlja neposredno nevarnost za resne poškodbe ali smrt. 2. Izpostavljenost možnim tveganjem za nastanek nesreče ali poškodbe. 3. Pomembne informacije o delovanju ali zmogljivostih vašega izdelka. 4. Nezdružljivost opreme.

Sledljivost in oznake

a. Ustreza zahtevam uredbe o OVO. Priglašeni organ, ki opravlja pregled tipa EU - b. Številka priglašene organa, ki izvaja nadzor nad proizvodnjo te OVO - c. Sledljivost: matrica s podatki - d. Zdržljivost vrvi - e. Serijska številka - f. Leto izdelave - g. Mesec izdelave - h. Številka serije - i. Individualna označba - j. Standardi - k. Natančno preberite navodila za uporabo - l. Oznaka modela - m. Nazivna maksimalna obremenitev - n. ANSI/ASSP certifikacijski organ - o. Naslov proizvajalca

HU

Jelen használati utasításban arról olvashat, hogyan használja felszerelését. Nem mutatunk be minden használati módot és technikát.

Az eszköz használatával kapcsolatos egyes veszélyekről az ábrák tájékoztatnak, de lehetetlen lenne valamennyi helytelen használati módot ismertetni. A termékek legújabb használati módzatáiról és az ezzel kapcsolatos aktuális kiegészítő információkról tájékozódjon a Petzl.com internetes honlapon.

Az új információkat tartalmazó értesítések elolvásásáért, betarásáért és a felszerelés helyes használatáért mindenki maga felelős. Az eszköz helytelen használata további veszélyek forrása lehet. Ha jelen információk megértésével kapcsolatban kétsége vagy nehézsége támad, forduljon a Petzl-hez bizalommal.

1. Felhasználási terület

Egyéni védőfelszerelés (EVE) a felhasználó magasból való leesés elleni védelmére.

ASAP LOCK: kötélre szánt mobil zuhanásgátó blokkoló funkcióval

EN 12841 A típus: biztosítórendszerben alkalmazható eszköz kötélre. Önműködő eszköz kötéllel megközelíthető helyek eléréséhez, B vagy C típusú mászóeszközzel együtt való használatra.

EN 353-2: mobil zuhanásgátó flexibilis biztosítórendszerhez. Fő biztosítóeszköz zuhanás megtartását szolgáló rendszerben.

A terméket tilos a megadott szakítószilárdságánál nagyobb terhelésnek kitenni vagy más, a megadott felhasználási területeken kívüli célra használni.

Felelősség

FIGYELEM

A termék használata közben végzett tevékenységek természetükből adódóan veszélyesek.

Mindenki maga felelős a saját tevékenységéért, döntéseirért és biztonságáért.

A termék használata előtt okvetlenül szükséges, hogy a felhasználó:

- Elolvassa és megértse a termékhez mellékelт valamennyi használati utasítást.
- Arra jogosult személytől megfelelő oktatást kapjon.
- Alaposan megismerje a terméket, annak előnyeit és korlátait.
- Tudatában legyen a termék használatával kapcsolatos kockázatoknak, és elfogadja azokat.

A fenti figyelmeztetések bármelyikének be nem tartása súlyos balesetet vagy halált okozhat.

A terméket csakis képzett és hozzáértő személyek használhatják, vagy a felhasználók legyenek folyamatosan képzett és hozzáértő személyek felügyelete alatt. Mindenki maga felelős a saját tevékenységéért, döntéseirért és biztonságáért, és maga viseli a lehetséges következményeket. Ha Ön nincs abban a helyzetben, hogy ezt a felelősséget vállalja vagy ha nem értette meg tökéletesen jelen használati utasítást, kérjük, ne használja a terméket.

2. Részek megnevezése

(1) Ház, (2) Csavaros félszern, (3) Csavar, (4) Összekötőtenyeg, (5) Távtartó, (6) Biztonsági gombok, (7) Kar, (8) Kar tengelye, (9) Blokkolókerék, (10) Blokkológömb, (11) STRING.

Fő alanyagok: alumíniumtövezet (ház, kar), rozsdamentes acél (blokkolókerék, csavaros félszern), poliszter, poliamid (kötélek).

3. Ellenőrzés, megvizsgálándó részek

Felszerelésének ép állapota az Ön biztonságának záloga.

A Petzl javasolja a felszerelések alapos felülvizsgálatát kompetens személy által, legalább 12 havonta (a használat országában hatályos jogszabályok és a használat körülményeinek függvényében). Figyelem: a használat intenzitásától függően szükség lehet az egyéni védőfelszerelés gyakoribb felülvizgálatára. Tartsa be a Petzl.com honlapon ismertetett ellenőrzési folyamatokat. A felülvizsgálat eredményét az EVE nyilvántartólapján kell rögzíteni: típus, modell, gyártó elérhetőségei, egyedi azonosító vagy szárazszám, gyártás, vásárlás és első használatbavétel dátuma, következő esedékes felülvizsgálat időpontja, hibák, megjegyzések, az ellenőr neve és aláírása.

Minden egyes használatbavétel előtt

ASAP LOCK: ellenőrizze az energiaelnyelő helyes felhelyezését az csavaros félszernre és a csavar zárását.

Ellenőrizze, nem láthatók-e repedések, karcoklások, deformáció, elhasználódás vagy korrozó jelei (a házon, a blokkolókeréken, a karon, a csavaros félszernen). Ellenőrizze a csavar záródását (megfeleő behelyezés, nincs játéka stb.). Ellenőrizze a biztonsági gombok állapotát és rugójük működését. Ellenőrizze a kar elfordulását a tengely körül, valamint a rugó kifogástalan működését. Ellenőrizze a blokkolókerék tisztaságát és a fogak állapotát. Figyelem: ha egy vagy több fog hiányzik, az ASAP LOCK-ot tilos tovább használni.

Ha a fogak közötti rések eltömődtek, tájékozódjon a Tisztítás, karbantartás c. bekezdésben. Ellenőrizze, hogy a blokkolókerék mindkét irányban akadálytalanul körbefordul.

Kötél: ellenőrizze a kötél állapotát a gyártó utasítása szerint. A kötélet le kell selejtezni, ha esést tartottak meg vele, ha a mag károsodottnak tűnik, ha a köpeny sérült vagy foltos.

A használat során

Az eszköz állapotát és csatlakoztatását a rendszer többi eleméhez rendszeresen ellenőrizni kell. Győződjön meg arról, hogy a felhasználnt eszközök egymáshoz képest jól helyezkednek el.

Vigyázat, idegen testek nyomást gyakorolhatnak a kötélben lévő blokkolókerékre és akadályozhatják annak elfordulását. Óvja az ASAP LOCK-ot a munka során a káros behatásoktól (festék, cement stb.). Győződjön meg arról, hogy a blokkolókerék mindig felfekszik a kötélre.

4. Kompatibilitás

Vizsgálja meg, hogy az eszköz kompatibilis-e a használt rendszer többi elemével (kompatibilitás = az eszközök jó együttműködése).

Az ASAP LOCK-kal együtt használt eszközöknek meg kell felelniük az adott ország előírásainak (pl. Európában a beülőknek az EN 361 szabvánnyal stb.).

Beülőheveder:

Csatlakoztassa az ASAP LOCK energiaelnyelőjét a beülő zuhanás megtartására alkalmas bekötési pontjához.

Energiaelnyelővel ellátott kantárak:

Az ASAP LOCK csak a Petzl kompatibilis energiaelnyelővel használható:

- ASAP‘SORBER 20 és 40
- ASAP‘SORBER AXESS

Az energiaelnyelőt nem szabad meghosszabbítani (legfeljebb egy darab, 12 cm-nél nem hosszabb karabinerrel).

Kötél, használat EN 12841 A típusként:

Az ASAP LOCK-hoz 10 - 13 mm átmérőjű (körszövétt) EN 1891 A típusú félstatikus kötelek kell használni.

EK EN 12841 A típusú használatához bevizsgált kötelek:

- Petzl CLUB 10 mm
- Teufelberger KM III 13 mm

Kötél, használat EN 353-2:

Az ASAP LOCK kizárólag a következő, EK EN 353-2: 2002 szabvány szerint tesztelt kötelekkel használható:

- Petzl PARALLEL 10,5 mm
- Petzl AXIS 11 mm
- Petzl ASAP‘AXIS 11 mm

5. Működési elv

Mérsékelt sebességnél a blokkolókerék mindkét irányban szabadon elfordul. Gyors lefelé irányuló mozgás esetén a blokkolókerék befekéződik, és a kötél megszorul a kerék és a ház között.

Blokkolófunkció: a blokkolófunkció segítségével a felhasználó rögzítheti az ASAP LOCK-ot, ezzel csökkentheti a lehetséges esésmagasságát.

6. Az ASAP LOCK kötélre helyezése és működőképességének vizsgálata

Előkészületek:

Kizárólag az ASAP LOCK eredeti csavarja használható. A csavar felhelyezéséhez használjon csavarrögzítő ragasztót.

Helyezze be az energiaelnyelőt, majd zárja a csavaros félszernet. Húzza meg a csavart, ellenőrizze a tengely megfelelő helyzetét és a csavar záródását.

Az eszköz jó működése érdekében a csavart megfelelően kell behelyezni és az adott nyomatokkal kell meghúzni. Csak nyomatékmerő csavarhúzó használata biztosítja a csavar megfelelő zárását.

Beülőhöz való csatlakoztatás:

Gyakori csatlakoztatás: használjon EN 362 szabványnak megfelelő, TRIACT-LOCK zárórendszerű karabinert irányban tartó rendszerrel (STRING, CAPTIV stb.).

Tartós csatlakoztatás a beülőhöz: használjon olyan összekötőelemet, mely szerszámmal zárható (RING OPEN, SWIVEL OPEN, mailon rapid stb.).

Kötélre helyezés: nyissa ki az eszközt a biztonsági gombokkal, helyezze a kötelel a házba, majd zárja a biztonsági gombokat, hogy a blokkolókerék a kötélre feküdjön. Figyelem: az ASAP LOCK csak helyes irányban kötélre helyezve működik és csak egyik irányban blokkol. Az ASAP LOCK használata életveszélyes, ha fordítva van a kötélre helyezve.

Minden kötélre helyezéskor végezze el a működőképesség tesztjét.

Blokkolás oldása: a működőképesség tesztje után a kerék blokkolását az eszköz normál elcsúsztatásával oldhatja fel.

Blokkolófunkció: az ASAP LOCK kötélben való lecsúszásának megakadályozására használja a blokkolókerék blokkológömbjét. Figyelem: leblokkolt ASAP LOCK esetén véletlen beleeesést követően az eszköz blokkolása csak tehermentesítés után lesz kioldható.

7. Óvintézkedések a használat során

A kötélre csomót kötve ütközőpont hozható létre a zuhanás megállítására.

Mozgás közben rendszeresen ellenőrizze a kötél szabad futását az ASAP LOCK-ban, és ügyeljen arra, hogy ne képződjön belőgő hurok a kötélben, mely az esetleges esés magasságát növelheti.

A dinamikus túlterhelés károsíthatja a kötelel. Ha az ASAP LOCK kötele terhelés alatt van, a felhasználónak másik biztosítókötelel kell használnia.

Használat ferde tetőn:

Vigyázat, például nem meredek tetőn való kis sebességű csúszás során az ASAP LOCK nem fékez be azonnal. Ha fennáll a veszélye, hogy egy tárgynak nekütközik, kössön zuhanást megálló csomót a kötélre.

8. Szabad esésér

A minimális szabad esésér a felhasználó alatt, hogy az esés során ne ütközzön neki semmilyen tárgynak.

A szükséges szabad esésteret meghatározó tényezők:

- Az esés magassága.
- Az ASAP LOCK fékútja.
- A felszakadt energiaelnyelő hossza.
- A felhasználó átlagos testmagassága.
- 1 m biztonsági távolság.

A kötél nyúlása (E) szituációtól függ és a szabad esésér kiszámításánál figyelembe kell venni.

További információk a Petzl.com honlapon az ASAP LOCK-kal kapcsolatos technikai jótanácsok oldalon.

A megadott adatok elméleti számítás eredményei és merev testtel való tesztelés alapján kerültek kiszámításra.

Zuhanást megtartó rendszerben számításba kell venni az összekötőelemek hosszát, mert ez befolyásolja az esés magasságát.

9. Tisztítás, karbantartás

Kerülje, hogy a blokkolókerékbe folyadék kerüljön.

A kerék fogainak tisztításához nem ajánlott oldószert használni, de szükség esetén óvatosan, ecsettel lehetséges, amennyiben a mechanizmusba nem jut folyadék.

10. Kiegészítő információk

Ez a termék megfelel az [EK] 2016/425 számú egyéni védőfelszerelésekre vonatkozó rendelet előírásainak. Az EK megfelelési jegy nyilatkozat a Petzl.com honlapon letölthető. - Legyen elérhető távolságban egy mentőfelszerelés szükség esetére.

- A rendszer kikötési pontja a felhasználó fölött helyezkedjen el, és feleljen meg az EN 795 szabvány előírásainak (legalább 12 KN szakítószilárdság).

- Minden zuhanást megtartó rendszerben minden használat előtt feltétlenül ellenőrizni kell a felhasználó alatt rendelkezésre álló szabad esésteret, nehogy a felhasználó esés közben a talajnak, a szerkezetnek vagy más tárgynak ütközzön.

- A kikötési pont pozicionálásánál ügyeljen a lehetséges esésmagasság minimalizálására.

- Lezuhanás megtartására szolgáló rendszerben kizárólag zuhanás megtartására alkalmas teljes testhevederzet használható.

- Többféle felszerelés használata esetén veszélyt jelenthet, ha az egyik felszerelés biztonsági működése a másik eszköz biztonsági működését akadályozza.

- VIGYÁZAT, VESZÉLY! mindig ügyeljen arra, hogy felszerelése ne érintkezzen dörzsölő felületekkel vagy éles tárgyakkal.

- A felhasználó egészségi állapota feleljen meg a magasban végzett tevékenységek követelményeinek. FIGYELEM: beülőhevederzetben való hosszan tartó lógás eszméletlen állapotban súlyos vagy halálos keringési rendellenességekhez vezethet.

- Használat során a rendszer valamennyi elemének használati utasítását be kell tartani.

- A felhasználónak a termékkel együtt a termék használati utasítását is rendelkezésére kell bocsátani a forgalomba hozatal országának nyelvén.

- Őrizze meg a jelen használati utasítást egy dossziében, hogy a termékről való levételt követően is tájékozódhasson belőle.

- Győződjön meg a terméken található jelölések olvashatóságáról.

LeSelejtezés:

FIGYELEM: adott esetben bizonyos körülményektől (a használat módjától és intenzitásától, a használat környezeti feltételeitől: maró vagy vegyi anyagok, tengervíz jelenlététől, éleken való felfekvéstől, extrém hőmérsékleti viszonyoktól stb.) függően a termék élettartama akár egyetlen használatra korlátozódhat.

A terméket le kell selejtezni, ha:

- A termék túllépte megengedett élettartamát.

- Nagy esés vagy erőhatás érte.

- A termék felülvizsgálatának eredménye nem kielégítő. Ha a használat biztonságosságát illetően bármilyen kételey merül fel.

- Nem ismen pontosan a termék előzetes használatának körülményeit (pl. a termék egyik jelölése olvashatatlan).

- Használatra elavult (jogszabályok, szabványok, technikák változása vagy az újabb felszerelésekkel való kompatibilitás hiánya stb. miatt).

A leselejteztett terméket semmisítse meg, hogy azt a későbbiekben se lehessen használni.

Jelmagyarázat:

A. Korlátlan élettartam - B. Használat hőmérséklete - C. Óvintézkedések - D. Tisztítás/ferdtőlentítés - E. Szárítás - F. Tárolás/szállítás - G. Karbantartás - H. Módosítások/javítások (Petzl pótalkatrészek kivételével csak a gyártó szakszervizében engedélyezett) - I. Kérdések/kapcsolat

3 év garancia

Minden gyártási vagy anyaghibára. A garancia nem vonatkozik a következőkre: normális elhasználódás, módosítások vagy házilágos javítások, helytelen tárolás, hanyagság, nem rendeltetésszerű használat.

Veszélyt jelző piktogramok

1. Súlyos vagy halálos sérülés kockázatával járó, veszélyes szituáció. 2. Váratlan esemény vagy sérülés valós veszélye. 3. Fontos információ a termék működéséről vagy használatáról. 4. Nem kompatibilis felszerelés.

Nyomon követhetőség és jelölés

a. Megfelel az egyéni védőfelszerelésekre vonatkozó jogszabályoknak. EK tipusantúsványt kiállító notifikált szervezet - b. Jelen egyéni védőfelszerelés gyártását ellenőrző notifikált szervezet száma - c. Nyomon követhetőség: számszor - d. Kompatibilis kötelek - e. Egyedi azonosítószám - f. Gyártás éve - g. Gyártás hónapja - h. Tételszám - i. Egyedi azonosító kód - j. Szabványok - k. Olvassa el figyelmesen ezt a tájékoztatót - l. Modell azonosítója - m. Maximális névleges terhelhetőség - n. ANSI/ASSP tanúsványt kibocsátó szervezet - o. A gyártó címe

Эта инструкция показывает, как правильно использовать ваше снаряжение. Данная инструкция по эксплуатации представляет только некоторые правильные способы и техники использования вашего снаряжения.

Предупредительные знаки информируют вас только о некоторых потенциальных рисках, связанных с использованием вашего снаряжения. Инструкция не описывает все возможные риски. Регулярно проверяйте сайт Petzl.com, там вы найдете самую актуальную версию данного документа и дополнительную информацию.

Лично вы несете ответственность за соблюдение всех мер предосторожности и за правильное использование своего снаряжения. Неправильное использование данного снаряжения может привести к возникновению дополнительных рисков. В случае возникновения каких-либо сомнений или трудностей обращайтесь в компанию Petzl.

1. Область применения

Средства индивидуальной защиты от падения с высоты и средства спасения с высоты (ИСУ).

ASAP LOCK: средство защиты от падения ползуночного типа с функцией блокировки

EN 12841 тип А: устройство позиционирования на канатах обеспечения безопасности. Устройство обеспечения безопасности в системах канатного доступа; используется совместно с устройствами позиционирования на канатах типов В и С.

EN 353-2: средства индивидуальной защиты от падения с высоты ползуночного типа на гибкой анкерной линии. Основное устройство обеспечения безопасности в системах защиты от падения.

Данное изделие не должно подвергаться нагрузке, превышающей предел его прочности, и использоваться в ситуациях, для которых оно не предназначено.

Ответственность

ВНИМАНИЕ

Деятельность, связанная с использованием данного снаряжения, опасна по своей природе.

Лично вы несете ответственность за свои действия, решения и безопасность.

Перед использованием данного снаряжения вы должны:

- Прочитать и понять все инструкции по эксплуатации.
- Пройти специальную подготовку по применению данного снаряжения.
- Ознакомиться с возможностями вашего снаряжения и ограничениями по его применению.

- Осознать и принять возможные риски, связанные с использованием этого снаряжения.

Игнорирование любого из этих предупреждений может привести к серьезным травмам и даже к смерти.

Это изделие может использоваться только лицами, прошедшими специальную подготовку, или под непосредственным контролем компетентного лица.

Лично вы несете ответственность за свои действия, решения и безопасность, и только вы отвечаете за последствия этих действий. Если вы не способны взять на себя ответственность за использование данного снаряжения или если вы не поняли инструкции по эксплуатации, не используйте данное снаряжение.

2. Составные части

(1) Корпус, (2) Скоба, (3) Винт, (4) Присоединительная ось, (5) Шайба, (6) Защелка блокировки, (7) Рычаг, (8) Ось рычага, (9) Блокировочное колесико, (10) Кнопка блокировки, (11) STRING.

Основные материалы: алюминиевый сплав (корпус, рычаг), нержавеющей сталь (блокировочное колесико, скоба), полиэстер, нейлон (анкерная линия).

3. Детальная проверка

Ваша безопасность напрямую связана с состоянием вашего снаряжения.

Petzl рекомендует проводить детальную проверку снаряжения компетентным лицом как минимум каждые 12 месяцев (в зависимости от местного законодательства в вашей стране, а также от условий использования снаряжения). Внимание: при высокой интенсивности использования может потребоваться чаще проводить детальную проверку вашего СИЗ. При проведении детальной проверки следите рекомендациям на сайте Petzl.com.

Результаты детальной проверки заносятся в инспекционную форму вашего СИЗ, в которой должна содержаться следующая информация: тип снаряжения, модель, контактная информация производителя, серийный или индивидуальный номер, дата изготовления, дата покупки, дата первого использования, дата следующей детальной проверки, дефекты, примечания, имя и подпись инспектора.

Перед каждым использованием

ASAP LOCK: убедитесь, что амортизатор установлен на оси правильно и фиксатор затянут должным образом.

Убедитесь в отсутствии трещин, отметин, деформаций, следов износа и коррозии (на корпусе, колесике, рычаге и скобе). Убедитесь, что винт правильно затянут (в правильности установки, отсутствии люфта и т.д.).

Проверьте состояние защелок и эффективность работы возвратной пружины.

Убедитесь, что рычаг свободно поворачивается и пружина работает правильно. Убедитесь, что зубцы блокировочного колесика не загрязнены и не изношены. Внимание: если одного из нескольких зубцов не хватает, прекратите использование ASAP LOCK.

Если зубцы загрязнены, смотрите раздел «Чистка и обслуживание». Убедитесь, что колесико свободно и плавно вращается в обоих направлениях.

Анкерная линия: проверьте состояние анкерной линии, следуя инструкциям производителя. Анкерная линия должна быть отбракована после остановки падения или если ее сердечник деформирован или ее оболочка повреждена или загрязнена.

Во время использования

Важно регулярно проверять состояние снаряжения и его присоединение к другим элементам системы. Убедитесь, что все элементы снаряжения правильно расположены друг относительно друга.

Обращайте внимание на посторонние предметы – чтобы они не могли помешать блокировочному колесику правильно вращаться и блокироваться на анкерной линии. Защищайте ASAP LOCK от брызг во время работы (краски, цемента и т.д.). Убедитесь в том, что блокировочное колесико правильно прилегает к анкерной линии.

4. Совместимость

Проверьте совместимость этого снаряжения с другими элементами системы в контексте вашей задачи (совместимость означает хорошее, эффективное взаимодействие).

Снаряжение, которое вы используете со своим ASAP LOCK, должно соответствовать местному законодательству в вашей стране (например, страховочные привязи на территории Таможенного Союза – EN 361).

Привязь:

Присоедините амортизатор рычага вашего ASAP LOCK к привязи, к ее точке крепления системы защиты от падения.

Строп с амортизатором рычага:

Используйте ASAP LOCK исключительно с совместимыми амортизаторами рычага Petzl:

- ASAP SORBER 20 и 40.
- ASAP SORBER ACCESS.

Запрещается удлинять амортизатор рычага (максимум один соединительный элемент с максимальной длиной в 12 см).

Канат, использование в соответствии с EN 12841 тип А:

Используйте ASAP LOCK с канатами с сердечником низкого растяжения (сердечник + оболочка) диаметром от 10 до 13 мм, отвечающими EN 1891 тип А. Канаты, проверенные на соответствие UE EN 12841 тип А:

- Petzl CLUB 10 мм.
- Teufelberger KM III 13 мм.

Канат, использование в соответствии с EN 353-2:

Используйте ASAP LOCK только с канатами, которые использовались при испытаниях по UE EN 353-2: 2002:

- Petzl PARALLEL 10,5 мм.
- Petzl AXIS 11 мм.
- Petzl ASAPAXIS 11 мм.

5. Принцип работы

При умеренной скорости движения колесико свободно вращается в обоих направлениях. При резком движении по направлению вниз вращение колесика прекращается, и канат зажимается между колесиком и корпусом устройства и тем самым блокируется.

Функция блокировки: встроенная функция блокировки позволяет пользователю зафиксировать устройство, уменьшая тем самым глубину падения.

6. Установка и функциональная проверка ASAP LOCK

Подготовка:

Используйте только оригинальный винт вашего ASAP LOCK. Перед установкой винта добавьте на него клей для резьбовых соединений.

Установите амортизатор рычага и закройте скобу. Затяните соединения и убедитесь, что ось расположена правильно и винт затянут должным образом. Для обеспечения качественной работы устройства винт должен быть правильно установлен и плотно затянут до рекомендуемого значения момента затяжки. Только динамометрический гаечный ключ позволяет убедиться, что винты затянuty до рекомендуемого значения момента затяжки.

Присоединение к привязи:

Для часто го соединения: используйте карабин EN 362 с винтовым запорным элементом TRACT-LOCK с устройством для позиционирования карабина (STRING, CAPTIV и т.д.).

Редко-разъемное соединение: используйте соединительные элементы для редко-разъемных соединений с разблокировкой при помощи устройств для разблокировки (RING OPEN, SWIVEL OPEN и т.д.).

Установка: откройте защелку, чтобы установить анкерную линию в корпус устройства, затем закройте защелку, чтобы блокировочное колесико правильно прилегло к анкерной линии.

Внимание: ASAP LOCK является устройством, которое блокирует только в одном направлении. Установка ASAP LOCK в перевернутом положении представляет смертельную опасность.

Проведите функциональную проверку при каждой установке.

Разблокировка: после функциональной проверки разблокируйте колесико, чтобы устройство нормально скользило по анкерной линии.

Функция блокировки: используйте кнопку блокировки колесика, чтобы остановить скольжение ASAP LOCK вниз по анкерной линии. Внимание: при зависании на заблокированном ASAP LOCK после срыва разблокировка не может быть произведена, пока устройство находится под нагрузкой.

7. Меры предосторожности

Для предотвращения возможного проскальзывания каната сквозь устройство завяжите на канате узел.

Во время движения по анкерной линии регулярно проверяйте скольжение анкерной линии в устройстве ASAP LOCK для избежания образования петли, которая может увеличить потенциальную глубину падения.

Сильная динамическая нагрузка может повредить канат. Если канат, на котором установлен ASAP LOCK, находится под нагрузкой, пользователь должен организовать другую страховочную систему.

Использование на наклонных поверхностях:

Внимание: в некоторых ситуациях ASAP LOCK может сработать не сразу – например, в случае падения и медленного соскальзывания по поверхности некрутой крыши. Если существует риск столкновения с препятствием, завяжите на канате узел.

8. Необходимое свободное пространство

Необходимое свободное пространство – это наименьшее расстояние между пользователем и препятствием, необходимое для избежания удара о препятствие в случае падения.

При расчете необходимого свободного пространства нужно учитывать:

- Глубину падения.
- Расстояние, необходимое для срабатывания ASAP LOCK.
- Длину амортизатора рычага после срабатывания.
- Средний рост пользователя.
- Запас безопасности в 1 м.

Длина растяжения каната (E) варьируется в зависимости от ситуации и должна быть учтена при расчете необходимого свободного пространства.

Для получения дополнительной информации изучите техническую информацию об ASAP LOCK, доступную на сайте Petzl.com.

Проведенные данные основаны на теоретических исследованиях и тестах падения, проведенных с грузами.

В системе индивидуальной защиты от падения с высоты следует учитывать длину всех карабинов и соединительных элементов, влияющих на глубину падения.

9. Чистка и обслуживание

Избегайте попадания любой жидкости в механизм блокировочного колесика. Для очистки зубцов колесика не рекомендуется использовать растворитель, но возможно его осторожное нанесение с помощью кисточки – во избежание его затекания в механизм.

10. Дополнительная информация

Данное снаряжение отвечает требованиям регламента (ЕС) 2016/425 СИЗ.

Декларация о соответствии требованиям ЕС находится на сайте Petzl.com.

Вы должны нести ответственность за качество работ и средства для быстрой его реализации на случай возникновения чрезвычайных ситуаций.

- Точку анкерного крепления для системы желательно располагать над пользователем, и она должна отвечать требованиям EN 795 (допустимая нагрузка

- не менее 12 кН).

- При использовании системы защиты от падения очень важно проверить перед началом ее применения наличие минимальной необходимой глубины свободного пространства под пользователем, чтобы избежать удара о препятствие или о землю в случае падения.

- Следите за тем, чтобы точка анкерного крепления была правильно установлена, чтобы свести к минимуму риск падения и уменьшить его высоту.

- Страховочная привязь для защиты от падения – единственное устройство для удерживания тела человека, которое может использоваться в системах защиты от падения.

- В случае использования вместе разных видов снаряжения может возникнуть опасная ситуация, когда безопасная работа одного элемента снаряжения может быть нарушена безопасной работой другого элемента снаряжения.

- ВНИМАНИЕ: ОПАСНОСТЬ: следите, чтобы ваше снаряжение не терлось об абразивные поверхности и острые крошки.

- У пользователей не должно быть противопоказаний к работе на высоте. ВНИМАНИЕ: зависание в привязи без движения может привести к серьезным травмам и даже к смерти.

- Инструкции по эксплуатации для любого снаряжения, связанного с использованием данного изделия, также должны быть приняты во внимание.

- Инструкция по эксплуатации должна поставляться вместе со снаряжением и на языке страны, в которой оно используется.

- Храните инструкции по эксплуатации в специальной папке, чтобы иметь к ним доступ после того, как вы достанете их при распаковке снаряжения.

- Убедитесь, что маркировка изделия может быть прочитана.

Отбраковка снаряжения:

ВНИМАНИЕ: особые обстоятельства могут вызвать уменьшение срока службы изделия, вплоть до однократного применения; например: способ и интенсивность использования, воздействие окружающей среды, воздействие морской среды, работа с химикатами, экстремальные температуры, контакт с острыми крошками и т.д.

Отбраковывайте любое снаряжение, если:

- Оно превысило свой срок службы.
- Оно падало или подвергалось большой нагрузке.
- Оно не удовлетворило требованиям при осмотре или проверке. У вас есть сомнения в его надежности.
- Вы не знаете полную историю его использования (например, из-за нечитаемой маркировки на изделии).
- Когда оно устарело и более не соответствует новым стандартам, законам, технике или несовместимо с другим снаряжением и т.д.

Чтобы избежать дальнейшего использования отбракованного снаряжения, его следует уничтожить.

Рисунки:

A. Срок службы неограничен - **B. Допустимый температурный режим** - **C. Меры предосторожности** - **D. Чистка/дезинфекция** - **E. Сушка** - **F. Хранение/транспортировка** - **G. Обслуживание** - **H. Модификация** - **I. Ремонт (запрещены вне мастерских Petzl, за исключением заменяемых частей)** - **I. Вопросы/контакты**

Гарантия 3 года

От любых дефектов материала и производственных дефектов. Гарантия не распространяется на следующие случаи: нормальный износ; окисление; изменение конструкции или переделка изделия; неправильное хранение и плохой уход; повреждения, вызванные небрежным отношением к изделию; а также использование изделия не по назначению.

Предупредительные знаки

1. Ситуация, представляющая неизбежный риск получения серьезных травм или ведущая к смерти. 2. Ситуация, представляющая риск возникновения несчастного случая или получения травм. 3. Важная информация о работе или о характеристиках вашего снаряжения. 4. Техническая несовместимость.

Прослеживаемость и маркировка продукции

а. Отвечает требованиям стандартов, относящихся к СИЗ. Зарегистрированная организация, которая провела проверку на соответствие стандартам ЕС - b. Номер организации, осуществляющей производственный контроль данного СИЗ - с. Прослеживаемость: матрица данных - d. Совместимые канаты - e. Серийный номер - f. Год изготовления - g. Месяц изготовления - h. Номер партии - i. Индивидуальный номер изделия - j. Стандарты - k. Внимательно читайте инструкцию по эксплуатации - l. Идентификация модели - m. Максимальная номинальная нагрузка - n. Сертифицирующий орган ANSI/ASSP - o. Адрес производителя

这份说明书将向您解释如何正确使用您的装备。这里只描述部分使用方法和技术。

警示标志将告知您使用该装备时的某些潜在危险，但不可能全部描述。请登录Petzl.com查阅更新和附加信息。

您有责任阅读每一条警示且正确使用您的装备。任何错误的使用都将造成额外危险。若有任何疑问或对理解该文件有困难，请联系Petzl。

1.应用范围

用于高空坠落保护的 personal 保护设备 (PPE)。

ASAP LOCK: 绳索移动止坠器，并带有锁定功能

EN 12841 A类：用于安全绳的绳索调节设备。用于绳索前进系统的备份设备；与B类或C类前进设备配合使用。

EN 353-2：包括柔软安全绳的移动止坠器。它是止坠系统中的主要保护设备。

使用该产品时，不可超出其负荷限制，也不可用于设计之外的用途。

责任

警告

凡涉及使用此装备的活动都具有一定危险性。

您应对个人的行动、决定和安全负责。

在使用此装备前，您必须：

- 阅读并理解全部使用指南。
- 针对该设备的使用，进行特定训练。
- 熟悉您的装备，了解其性能及使用限制。
- 理解并接受所涉及的风险。

一旦忽视上述任何一条警告，将有可能造成严重伤害甚至死亡。该产品只能由有能力且负责任的人使用，或在有能力且负责任的人的直接目视监督下使用。

您应对个人的行动、决定和安全负责并承担后果。如果您无法承担相关责任或无法完全理解本使用说明，则请勿使用该装备。

2.部件名称

- (1) 主体，(2) U形臂，(3) 螺丝，(4) 连接轴，(5) 垫圈，(6) 安全开关，(7) 滚轮臂，(8) 臂轴，(9) 锁定滚轮，(10) 锁定钮，(11) STRING。

主要材料：铝合金（主体、滚轮臂）、不锈钢（锁定滚轮、U形臂）、聚酯、尼龙（绳索）。

3.检测、检查要点

您的安全和您装备的状态密切相关。

Petzl建议至少每12个月请有资质的人员进行一次全面检测（根据每个国家现行法规以及具体使用情况）。警告：高频率的使用会需要您更加频繁地检查您的PPE。请根据Petzl.com网站上描述的操作方式进行检查。在您的PPE检查表格中记录：类型、型号、生产商信息、序列号或独立编码，生产、购买、第一次使用和之后每次定期检测的日期，问题、评论、检查者姓名和签名。

每次使用前

ASAP LOCK：检查势能吸收器正确安装在U形臂上，并且螺丝正确拧紧。

检查无裂缝、刻痕、缺口、变形、磨损、腐蚀（框架、锁定滚轮、滚轮臂、U形臂上）。检查是否该螺丝已拧紧（正确安装、无间隙）。

检查安全开关的状况，及其回弹性。

检查滚轮臂是否能正常绕轴转动，以及其回弹是否有效。检查锁定滚轮是否干净，以及轮齿的磨损状况。警告：如缺失一个或多个轮齿，不要使用该ASAP LOCK。

如果轮齿有污垢，请参阅保养及清洁部份。检查锁定滚轮是否能顺畅转动，能沿正反方向各转动一圈。

绳索：按照生产商的指示，检查绳索的状况。如果绳索制停过一次坠落，如果绳芯看起来有变形或绳皮有损坏或污渍，必须报废该绳索。

每次使用时

经常检查产品状况及其与系统内其他设备的连接状况，是至关重要的。确保系统内所有设备均互相正确连接。

注意可能会妨碍锁定滚轮挤压绳索及转动的外来物。工作时，保护您的ASAP LOCK远离喷雾物（油漆、水泥等）。确保锁定滚轮始终能压住绳索。

4.兼容性

在您使用时，验证该产品与系统其他组件的兼容性（兼容性 = 良好的功能互动）。

与您的ASAP LOCK配合使用的设备，必须符合您所在国家的现行标准（如欧洲的EN 361标准安全带）。

安全带：

将ASAP LOCK的势能吸收器与安全带的止坠挂点连接。

势能吸收器挽索：

ASAP LOCK只能使用可兼容的Petzl势能吸收器：

- ASAP SORBBER 20和40。
- ASAP SORBBER AXESS。

势能吸收器不可延长（最多使用一个锁扣：最大长度12 cm）。

绳索，EN 12841 A类的使用：

将ASAP LOCK与直径为10-13 mm（绳芯 + 绳皮）的EN 1891 A

型半静力绳索配合使用。

EU EN 12841 A类认证测试使用的绳索：

- Petzl CLUB 10 mm。
- Teufelberger KM III 13 mm。

绳索，EN 353-2的使用：

ASAP LOCK只能与通过EU EN 353-2:2002认证测试的绳索使用：

- Petzl PARALLELE 10.5 mm。
- Petzl AXIS 11 mm。
- Petzl ASAP AXIS 11 mm。

5.工作原理

在低速移动时，锁定滚轮可沿正反方向旋转。当发生快速向下移动时，锁定滚轮停止旋转，绳索被滚轮挤压到框架内侧锁定。

锁定功能：ASAP LOCK内置了锁定功能，能将止坠器锁定在绳索上以降低坠落距离。

6.ASAP LOCK的安装及功能测试

准备：

只能使用ASAP LOCK的原装螺丝。安装前，在螺丝上涂螺纹胶。

安装势能吸收器，并关闭U形臂。拧紧，检查主轴是否处于正确位置，以及螺丝是否拧紧。

为了确保装备的良好性能，螺丝必须正确安装并按照说明的扭矩拧紧。只有使用扭矩扳手才能正确地拧紧螺丝。

与安全带的连接：

频繁地连接：使用能保持主轴受力的系统（STRING、CAPTIV等）的EN 362 TRIACT-LOCK锁门的主锁。

半永久性连接：使用需要工具关闭的半永久性锁扣（RING

OPEN、SWIVEL OPEN、梅龙锁等）。

安装：打开安全开关，将绳索放到主体侧板中，随后关闭安全开关，使锁定滚轮压住绳索。

警告：ASAP LOCK是单向设备，只可在一个方向上锁定。如果ASAP LOCK反向安装在绳索上，会导致死亡危险。

每次安装时，必须进行功能测试。

解锁：功能测试结束后解锁滚轮，以使设备能在绳索上正常移动。

锁定功能：使用锁定滚轮的锁定按钮阻止ASAP LOCK沿绳索下滑。警告：如果在锁定的ASAP LOCK上发生意外悬挂，那么当设备受力时无法解锁。

7.使用注意

可以在绳索上打结设置一个制停点。

行进时，需经常检查绳索在ASAP LOCK内正常滑动，确保上方没有松弛的绳圈，因为松弛的绳圈会增加坠落的高度。

动态过载可能损坏绳索。如果ASAP LOCK的绳索已经承重，使用者必须配备另一套备份系统。

在倾斜面上的使用：

警告：例如在低角度的屋顶上慢速滑落时，ASAP LOCK也许无法立刻制动。若有碰撞到障碍物的风险，请在绳索上打一个制停结。

8.净空距离

净空距离是发生坠落时使用者下方有足以防止他撞到障碍物所需要的最小距离。

净空距离考虑到以下因素：

- 坠落的高度。
- ASAP LOCK的制停距离。
- 势能吸收器撕裂的长度。
- 用户的平均身量。
- 1米的安全余量。

绳索的延展性（E）随不同情况而变化，必须加入到净空距离的计算中。

更多信息：请登录Petzl.com网站，浏览ASAP LOCK技术资讯。数值根据理论评估和使用硬质重物的坠落测试得出。

在一个止坠系统中，如果锁扣会影响到坠落距离，必须将这些锁扣的长度计算进去。

9.清洁、保养

避免锁定滚轮结构中进入任何液体。

清洁轮齿时，不推荐使用溶剂，但可以配合刷子小心使用，必须避免溶剂进入结构中。

10.附加信息

该产品符合欧盟2016/425个人保护设备法规。请登录Petzl.com查看符合欧盟标准声明。

- 您必须提前制定必要的救援方案，以便遇到困难时可以迅速实施。

- 系统的锚点最好置于使用者之上，而且应符合EN 795标准（最小强度为12 kN）。

- 在止坠系统中，每次使用前都必须检查使用者下方是否留有足够的净空距离，从而避免在坠落时与地面或障碍物发生碰撞。

- 确保锚点正确放置，从而降低坠落的风险并缩短坠落距离。

- 防坠落安全带是止坠系统中唯一可用来支撑身体的装备。

- 当多个装备组合在一起使用时，一件装备的安全功能可能会影响另一件装备的安全功能，从而导致突发危险情况的出现。

- 危险警告：保护好您的装备，避免与粗糙面或尖锐物直接摩擦。

- 用户的身体条件必须适合高空作业。警告：无意识地悬挂于安全带上，可能导致严重的生理伤害甚至死亡。

- 任何装备在与此装备一同使用时，必须严格遵守其使用说明。

- 使用说明必须以产品使用国家的语言提供给用户。

- 请将设备上的取下的使用说明放到一个永久文件夹中，以备查阅。

- 确保产品上的标识清晰可见。

淘汰您的装备：

警告：一次意外事故可能导致产品在首次使用后即被淘汰（这取决于使用方式及强度、使用环境：严酷的环境、海洋环境、尖锐边缘、极限温度、化学产品等）。

何时需要淘汰您的装备：

- 已超过产品的寿命。
- 经历过严重冲坠或负荷。
- 无法通过产品检测。您对其安全性产生怀疑。
- 您不清楚产品的全部使用历史（例如，产品标识无法辨识）。
- 因为法律、标准、技术或与其它装备不兼容等问题而不得不淘汰。
- 销毁这些产品以防将来误用。

图标：

A.无限制的寿命 - B.可接受的温度 - C.使用注意 - D.清理/消毒 - E.干燥 - F.存放/运输 - G.维护 - H.改装/维修（不能在Petzl以外的地方修理，除了更换零件） - I.问题/联系

3年质保

针对材料或生产上的缺陷。例外：正常的磨损、氧化、自行改装或改良、不正确存放、欠佳的保养、使用疏忽或用于非该产品设计之用途。

警告标志

1.表示有即刻产生严重伤害或死亡风险的情况。2.表示有潜在的意外或伤害风险。3.表示产品在功能或性能方面的重要信息。4.表示装备的不兼容性。

可追溯性及标识

a.符合PPE监管要求。进行EU型式测试的认证机构 - b.对此PPE进行生产控制的认证机构代码 - c.追踪：二维码 - d.绳索兼容性 - e.独立编码 - f.生产年份 - g.生产月份 - h.批号 - i.独立身份识别号 - j.标准 - k.仔细阅读说明书 - l.型号识别 - m.标称最大负荷 - n.ANSI/ASSP认证机构 - o.生产商地址

본 설명서는 장비를 정확하게 사용하는 방법을 설명한다. 오로지 특정 기술 및 사용법만 소개된다. 경고 기호는 사용자의 장비 사용과 관련된 몇 가지 잠재적인 위험에 대한 정보를 전달하나 모든 것을 설명하는 것은 불가능하다. 최신 정보 및 추가 정보는 Petzl.com을 확인한다. 각각의 경고 내용 확인 및 정확한 장비 사용은 사용자에게 책임이 있다. 장비의 오용은 추가적인 위험을 야기할 수 있다. 본 설명서를 이해하는데 어려운 점이나 의문점이 있으면 (주) 안나푸르나로 연락한다.

1. 적용 분야

높은 곳으로부터 추락 보호의 용도로 사용되는 개인 보호 장비 (PPE).

ASAP LOCK: 잠금 성능을 갖는 로프용 이동식 추락 제동 장치
EN 12841 A 유형: 안전 로프를 위한 로프 조절 장비. 로프 액세스 시스템을 위한 백업 장비로 B 또는 C 유형의 진행 장비와 함께 사용.
EN 353-2: 유연한 안전 라인을 포함한 이동식 추락 장비. 추락 제동 시스템의 기초 확보 장비.
본 제품은 자체 강도 이상으로 힘을 가해서는 절대 안되며, 제작 용도 이외의 다른 목적으로 사용되어서는 안된다.

책임

경고
이 장비의 사용과 관련된 활동은 위험성이 내재되어 있다. 자신의 행동이나 결정, 그리고 안전에 대한 책임은 사용자에 있다.

이 장비를 사용하기 전에, 반드시 알아야 할 사항:
- 사용에 관한 모든 설명서를 읽고 이해하기.
- 장비의 적합한 사용을 위한 구체적인 훈련 받기.
- 장비의 사용법과 사용 한도에 대해 숙지하고 친숙해지기.
- 관련된 위험을 이해하고 숙지하기.

이러한 경고를 유념하지 않으면 심각한 부상이나 사망을 초래할 수 있다.

본 장비는 반드시 전문가와 책임질 수 있는 사람만이 사용할 수 있고, 전문가에 의해 직접적으로 노로 볼 수 있는 통솔 아래 사용되어야 한다. 행동이나 결정, 그리고 안전에 대한 책임은 사용자에게 있으며 결과물에 대해 예측할 수 있어야 한다. 책임질 수 없거나 또는 책임질 수 있는 위치에 있지 않은 경우, 또는 사용 지침서를 완전히 이해하지 못했다면 본 장비를 사용하지 않는다.

2. 부분 명칭

(1) 프레임, (2) 클레비스, (3) 나사, (4) 연결 핀, (5) 스페이서, (6) 안전 캐치, (7) 팔, (8) 팔 축, (9) 잠금 바퀴, (10) 잠금 버튼, (11) STRING.
주요 재질: 알루미늄 합금 (프레임, 팔), 스테인리스 스틸 (잠금 바퀴, 클레비스), 폴리에스터, 나일론 (로프).

3. 검사 및 확인사항

사용자의 안전은 장비의 온전한 상태에 달려있다. Petzl은 적어도 일년에 한 번 이상 전문가의 세부 검사를 받을 것을 권장한다 (사용 국가의 현재 규정과 사용자의 사용 환경에 따를 것). 경고: 사용 강도에 따라 PPE를 더 자주 검사할 수 있다. Petzl.com 에 설명된 절차를 따른다. PPE 장비 서식에 유형, 모델, 제조업체 연락처 정보, 일련 번호 또는 개별 번호, 제조일, 구매일, 최초 사용일, 추후 정기 검사, 문제점, 코멘트, 검사관의 이름 및 서명 등의 PPE 검사 결과를 기록한다.

매번 사용 전

ASAP LOCK: 클레비스에 충격 흡수제가 정확하게 설치되었는지 확인하고, 나사를 적절히 조였는지 체크한다. 프레임, 바퀴, 팔, 클레비스에 갈라짐, 깨짐, 변형, 마모, 부식이 없는지 확인한다. 나사가 단단히 조여졌는지 확인한다 (올바른 설치, 유격 유무...). 안전 캐치의 상태를 확인하고 리턴 스프링이 제대로 작동하는지 확인한다. 팔이 축에서 회전하고 리턴 스프링이 작동하는지 확인한다. 잠금 바퀴가 깨끗하고 톱니가 마모되지 않았는지 확인한다. 경고: 한 개 이상의 톱니가 유실된 경우, ASAP LOCK의 사용을 중단한다. 톱니가 더러워졌을 경우, 유지 관리 및 세척 부분을 참조한다. 잠금 바퀴가 양방향으로 완전히 한 번 부드럽게 회전하는지 확인한다. 로프: 제조업체의 지침에 따라 로프의 상태를 확인한다. 추락을 경험하거나, 속도에 변형이 생기거나, 표피가 손상 및 오염된 경우 로프를 반드시 폐기한다.

제품 사용 도중
제품의 상태와 시스템의 다른 장비와의 연결 부분을 정기적으로 검사하는 것이 중요하다. 장비에 연결된 모든 제품들이 각각 정확한 위치에 있는지 확인한다. 잠금 바퀴가 로프에 눌러거나 돌아가는 것을 방지하기 위하여 이물질이 있는지 확인해야 한다. 작업하는 동안 페인트, 시멘트 등이 튀지 않도록 ASAP LOCK을 보호한다. 잠금 바퀴가 항상 로프에 맞물려 있는지 확인한다.

4. 호환성

본 제품이 사용 시 시스템의 다른 구성 요소와 호환되는지 확인한다 (호환이 된다 = 순기능적 상호작용). ASAP LOCK과 사용되는 장비는 반드시 국내의 현재 기준에 부합되어야 한다 (예, 유럽 EN 361 안전벨트).

안전벨트:

ASAP LOCK의 충격 흡수제를 사용자 안전벨트의 추락-제동 부속 지점에 연결한다.

충격-흡수용 랜야드:

오로지 호환 가능한 Petzl 충격 흡수제와 함께 ASAP LOCK 을 사용한다:

- ASAP 'SORBER 20 및 40.
 - ASAP 'SORBER AXESS.
- 충격 흡수제를 절대 확장해서는 안된다 (최대 1개의 연결장비: 최대 길이 12 cm).

로프, EN 12841 A 유형 사용:

ASAP LOCK을 10-13 mm EN 1891 A 유형 낮은 신축성의 케블렌를 로프와 함께 사용한다. EU EN 12841 A 유형 인증 인증 테스트된 로프:

- Petzl CLUB 10 mm.
- Teufelberger KM 111 13 mm.

로프, EN 353-2 사용:

ASAP LOCK은 EU EN 353-2:2002 인증 중에 테스트된 로프와만 함께 사용한다:
- Petzl PARALLEL 10, 5 mm.
- Petzl AXIS 11 mm.
- Petzl ASAP 'AXIS 11 mm.

5. 작동 원리

적당한 속도에서 잠금 바퀴는 양방향으로 자유롭게 회전한다. 급격히 빠른 속도의 하향 움직임이 발생하면, 잠금 바퀴가 회전을 멈추고 로프가 바퀴와 프레임이 사이에 끼어 차단된다. 잠금 기능: 통합된 잠금 기능을 통해 사용자는 추락 길이를 줄이기 위해 장비를 고정할 수 있다.

6. ASAP LOCK 설치 및 기능 테스트

준비:
ASAP LOCK의 본래의 나사만을 사용한다. 조립 전 나사에 나사 고정체를 바른다. 충격 흡수제를 설치하고 클레비스를 닫는다. 단단히 조이고 축의 정확한 위치와 나사의 조임 상태를 확인한다. 장비의 적절한 성능을 보장하려면, 나사를 반드시 올바르게 설치하고 표시된 토크로 조여야 한다. 토크를 올바르게 조였는지 확인하는 유일한 방법은 토크 렌치를 사용하는 것이다.

안전벨트에 연결:
반복한 연결: 주요 축에 위치를 유지하는데 도움이 되는 시스템과 함께 TRIACT-LOCK EN 362 잠금 연결장비를 사용한다 (STRING, CAPTIV...).

반영구 연결: 도구를 사용하여 닫히는 반영구 연결장비를 사용한다 (RING OPEN, SWIVEL OPEN, 퀵 링크...).

설치: 로프를 프레임에 위치하기 위해 안전 캐치를 열고, 잠금 바퀴를 로프에 맞물리도록 안전 캐치를 닫는다.

경고: ASAP LOCK은 방향성 장비이며 한 쪽 방향으로만 잠긴다. ASAP LOCK이 로프상에서 반대 방향으로 위치하면 사망의 위험이 있다.

매번 설치 시, 성능 테스트를 수행한다. 잠금 해제: 기능 테스트 이후, 로프상에서 정상적인 이동이 가능하도록 바퀴의 잠금을 해제한다.

잠금 기능: 로프상에서 ASAP LOCK이 아래로 이동하지 않도록 바퀴의 잠금 버튼을 사용한다. 경고: 잠겨진 ASAP LOCK에서 우발적으로 매달리게 된 경우, 하중 하에서는 잠금이 해제되지 않는다.

7. 사용 시 주의사항

로프에 매듭을 묶어 트레블-스탑 (travel-stop)을 만들 수 있다. 진행 도중에, 로프가 느슨해져 잠재적인 추락 거리를 증가시킬 수 있는 상황을 방지하기 위하여, 로프가 ASAP LOCK에서 적절하게 움직이는지 정기적으로 확인한다. 동적 초과 하중은 로프를 손상시킬 수 있다. 만약 ASAP LOCK의 로프에 하중이 실리면, 사용자는 반드시 또 다른 백업 시스템을 장착해야 한다.

경사면에서의 사용:

경고: 예를 들어 낮은 각도의 지붕에서 천천히 미끄러지는 경우, ASAP LOCK이 즉시 활성화되지 않을 수 있다. 장애물에 무딴힐 위험이 있다면, 반드시 로프에 스톱퍼 매듭을 묶는다.

8. 이격 거리

이격 거리는 추락 시 사용자가 장애물과 충돌하는 것을 방지하기 위해 필요한 사용자 아래의 최소한의 거리이다. 이격 거리에는 다음의 내용이 고려된다:

- 추락 길이.
 - ASAP LOCK의 정지 거리.
 - 충격 흡수제의 인열 길이.
 - 사용자의 평균 신장.
 - 안전을 위한 1m의 여유 공간.
- 로프의 탄성은 (E) 상황에 따라 달라지며 이격거리 계산에 반드시 포함시켜야만 한다. 더 자세한 정보는 Petzl.com에서 ASAP LOCK 기술 팁을 확인한다. 제시된 값은 단단한 물체를 사용한 추락 테스트와 이론상 평가치에 근거한 것이다. 추락-제동 시스템에서, 추락 거리에 영향을 미칠 수 있는 연결장비의 길이를 고려한다.

9. 세척 및 유지 관리

잠금 바퀴의 메커니즘 내부에 액체가 들어가지 않도록 한다. 잠금 바퀴 세척시 용제 사용은 권장되지 않는다. 브러쉬를 사용하는 경우 용제가 장비 메커니즘 안쪽으로 들어가지 않도록 주의를 기울여 사용할 수 있다.

10. 추가 정보

본 제품은 개인 보호 장비에 관한 규정 (EU) 2016/425의 필수 요건에 부합한다. EU 표준 적합성 선언서는 Petzl.com에서 확인 가능하다.

- 사용자는 장비 사용 도중에 유연히 무뎠치게 될 무게에 대비하여, 반드시 신속하게 이행할 수 있는 구조 계획과 방법을 가지고 있어야 한다.
- 시스템의 앵커 지점은 가급적 사용자 위치보다 위에 위치되어야 하고, EN 795 표준의 요건 (최소 강도 12 kN)을 충족해야 한다.
- 추락-제동 시스템에서, 매번 사용 전 지면에 충돌하거나 추락 시 장애물을 피하기 위해 사용자 아래에 필요한 이격 거리를 확인하는 것이 필수적이다.
- 추락의 위험과 길이를 제한하기 위해, 앵커 지점이 올바른 위치에 있는지 확인한다.
- 추락-제동 안전벨트는 추락-제동 시스템에서 사용자의 신체를 지탱하는 유일한 장비이다.
- 여러 개의 장비를 사용할 때, 한 가지 장비의 안전 성능이 다른 장비의 작동과 연관되어 있다면 위험한 상황을 불러올 수 있다.

- 경고 - 위험: 장비가 마모성 또는 날카로운 표면에 마찰되지 않도록 주의한다.
- 사용자는 반드시 고소 활동에 의학적으로 적합해야 한다. 경고: 안전벨트에서 자력으로 행동할 수 없는 상태로 매달리는 것은 심각한 부상 또는 사망을 초래할 수 있다.
- 본 제품과 함께 사용하는 장비는 각 품목별 사용 설명서를 반드시 따라야 한다.
- 본 제품의 사용 설명서는 반드시 장비가 사용되는 국가의 언어로 제공되어야 한다.
- 장비에서 사용 설명서를 떼어낸 후 언제든지 참조할 수 있도록 파일에 영구적으로 보관한다.
- 제품의 마킹이 식별 가능하니 확인한다.

장비 폐기시절:

경고: 사용 유형, 사용 강도 및 사용 환경 (거친 환경, 고습 환경, 날카로운 모서리, 극한의 기온, 화학 제품 등)에 따라 단 한 번의 사용으로도 제품을 폐기해야 할 수 있다. 다음과 같은 경우 제품을 반드시 폐기해야 한다:
- 제품 수명을 초과한 경우.
- 심한 추락이나 충격 하중을 받은 적이 있는 경우.
- 검사에 통과하지 못한 경우. 장비의 신뢰성이 의심되는 경우.
- 장비의 전체적인 사용 내역을 모를 경우 (예: 판독이 불가능한 제품 마킹).
- 적용 규정, 기준, 기술의 변경 또는 다른 장비와 호환되지 않는 경우 등.
이러한 장비가 다시 사용되는 일이 없도록 폐기한다.

제품 참조:

A. 제품 수명: 무제한 - B. 허용 온도 - C. 사용자 의사사항 - D. 세척/살균 - E. 건조 - F. 보관/운반 - G. 제품 관리 - H. 수리/수선 (Petzl 시설 외부에서는 부품 교체를 제외한 수리 금지) - I. 회의사항/연락

3년간 보증

원자재 또는 제조상의 결함에 대해 보증을 제공한다. 제외: 일반적인 마모 및 찢김, 산화, 제품 변형 및 개조, 부적절한 보관, 올바르지 않은 유지 관리, 사용 상 부주의, 제작 용도 이외의 사용 등.

경고 기호

1. 심각한 부상 또는 사망의 갑작스런 위험이 존재하는 상황. 2. 사고 또는 부상의 잠재적인 위험에 노출. 3. 제품의 기능 또는 성능에 대한 중요 정보. 4. 장비 비호환성.

추적 및 마킹

a. PPE 규정의 요구 사항을 충족한다. EU 유형 시험 수행 기관 - b. 본 PPE의 생산 관리를 수행하는 인증 기관의 번호 - c. 추적: 데이터 매트릭스 - d. 로프 호환성 - e. 일련 번호 - f. 제조년도 - g. 제조일 - h. 배치 번호 - i. 개별 식별번호 - j. 기준 - k. 사용 설명서를 주의 깊게 읽는다 - l. 모델 식별 - m. 최대 하중 - n. ANSI/ASSP 인증 기관 - o. 제조업체 주소

В тази листовка е обяснено как правилно да използвате средството. Представени са само някои методи и начини на употреба. Предупредителни надписи ви информират за потенциални рискове, свързани с употребата на средството, но не е възможно да бъдат описани всички. Следете редовно актуализацията и допълнителната информация на страницата Petzl.com. Вие носите отговорност за спазването на всяко предупреждение и за правилното използване на средството. Всяко неправилно действие при използване на средството ще доведе до допълнителен риск. Свържете се с Petzl, ако имате съмнения или затруднения да разберете нещо.

1. Предназначение

Лично предпазно средство (ЛПС) срещу падане от височина.

ASAP LOCK: спирачно устройство за въже с функция за застопоряване EN 12841 тип А: регулиращи устройства с въже към осигурителна система. Устройста за обезопасяване за системи с въжен достъп, за да използват в комбинация с устройства за движение по въже тип В или С. EN 353-2: спирачно устройство за гъвкава осигурителна линия. Основно средство за обезопасяване в система, спираща падането. Този продукт не трябва да се използва извън неговите възможности или в ситуации, за които не е предназначено.

Отговорност

ВНИМАНИЕ

Дейностите, изискващи употребата на това средство, по принцип са опасни. Вие носите отговорност за вашите действия, решения и за вашата безопасност.

Преди да започнете да употребявате това средство, трябва:
 - Да прочетете и разберете всички инструкции за употреба.
 - Да научите специфичните за средството начини на употреба.
 - Да се усъвършенствате в работа със средството, да познавате качествата и възможностите му.
 - Да разберете и осъзнаете съществуващия риск.

Неспазването дори на едно от тези предупреждения може да доведе до тежки, дори смъртоносни травми.

Този продукт трябва да се използва или от компетентни и добре осведомени лица, или работещият с него трябва да бъде под непосредствен зрителен контрол на такова лице. Вие носите отговорност за вашите действия, решения и за вашата безопасност и вие ще поемете последиците. Ако не сте в състояние да поемете тази отговорност или не сте разбрали добре указанията за употреба, не използвайте това средство.

2. Номерация на елементите

(1) Корпус, (2) Стяга, (3) Болт, (4) Ос, (5) Вътулка, (6) Ключалка, (7) Лост, (8) Ос на лоста, (9) Блокираща ролка, (10) Бутон за застопоряване, (11) STRING.

Основни материали: алуминиева сплав (корпуса, лоста), неръждаема стомана (ролката, стягата), полиестер, полиамид (въжетата).

3. Контрол, начин на проверка

Вашата безопасност зависи от състоянието на средствата. Petzl препоръчва задълбочена проверка от компетентно лице най-малко веднъж на всеки 12 месеца (в зависимост от действията в страната наредби и от начина и условията на употреба). Внимание: ако използвате ЛПС интензивно, може да се наложи по-често извършване на инспекция. Спазвайте указанията за проверка, посочени на Petzl.com. Запазете резултатите от проверката в паспорта на ЛПС: тип, модел, данни за производителя, серийн или индивидуален номер; датите на производство, покупка, първа употреба, следваща периодична проверка, дефекти, забележки, име и подпис на инспектора.

Преди всяка употреба

ASAP LOCK: проверете дали правилно е закачен абсорберът към стягата и дали болтът е стегнат. Проверявайте за пукнатини, белези, деформации, износване, корозия (по корпуса, ключалката, лоста, стягата). Проверете как е стегнат винтът (правилно поставен, без хлабиана...).

Проверете състоянието на ключалките и функционирането на пружините. Проверете завъртането на лоста около оста, както и ефикасността на пружината. Проверете дали е чиста ролката и дали не са износени зъбите. Внимание: ако липсват един или повече зъби, не използвайте повече този ASAP LOCK. Ако зъбите са замърсени, почистете ги както е посочено в параграф "Поддръжане, почистване". Проверете дали ролката се върти плавно без тласъци при едно пълно завъртане в двете посоки.

Въжето проверете състоянието на въжето съгласно указанията на производителя. Въжето трябва да се смени, ако е поело падане, ако сърцевината е деформирана, ако бронята е протрита или по нея има някакви петна.

По време на употреба

Важно е да следите редовно за състоянието на продукта и връзката му с останалите средства от системата. Уверете се, че отделните средства са правилно разположени едно спрямо друго. Внимавайте за чужди тела, които могат да попречат на движението на ролката по въжето. Защитете уреда ASAP LOCK от пръски по време на работа (от боя, цимент и др.). Следете блокиращата ролка винаги да е в контакт с въжето.

4. Съвместимост

Проверете съвместимостта на този продукт с останалите елементи от системата при вашия начин на приложение (съвместимост – правилно функциониране на елементите). Елементите, които се използват с ASAP LOCK, трябва да отговарят на действащите стандарти в страната (например в Европа предпазните колани на EN 361...).

Предпазен колан:

Закачете погълщателя на енергия на уреда ASAP LOCK към точката на сброята, предназначена за системи срещу падане.

Ремък с погълщател на енергия:

Използвайте уреда ASAP LOCK само със съвместимите погълщатели на енергия на Petzl:
 - ASAP SORBER 20 и 40.
 - ASAP SORBER AXESS.
 Погълщателят на енергия не трябва да бъде удължаван (не повече от един карабинер с максимална дължина 12 cm).

Въже, когато се използва съгласно EN 12841 тип А:

Използвайте устройството ASAP LOCK с полустатични въжета (сърцевина + броня) EN 1891 тип А с диаметър от 10 до 13 mm.
 Въжета, тествани при сертифицирането EC EN 12841 тип А:
 - Petzl CLUB 10 mm.
 - Teufelberger KM III 13 mm.

Въже, когато се използва съгласно EN 353-2:

Използвайте уреда ASAP LOCK само с въжетата, с които е сертифициран по EC EN 353-2: 2002:
 - Petzl PARALLEL 10.5 mm.
 - Petzl AXIS 11 mm.
 - Petzl ASAP AXIS 11 mm.

5. Начин на функциониране

При движение с умерена скорост блокиращата ролка се върти свободно в двете посоки. При рязко движение надолу ролката спира да се върти и въжето се притиска и застопорява между ролката и корпуса на уреда. Функция за блокиране: интегрираната в уреда функция за застопоряване позволява на работещия да блокира уреда, за да се намали височината падането.

6. Поставяне и проверка на функционирането на уреда ASAP LOCK

Подготовка:
 Използвайте само оригиналния болт на вашия ASAP LOCK. Преди монтажа намажете болта с уплътнител за резби. Поставете погълщателя на енергия и затворете стягата. Стегнете, проверете дали оста е центрирана и дали болтът е добре стегнат. За да работи уреда добре, винтът трябва да е правилно поставен и стегнат с посочената сила. Само ако използвате динамометричен ключ, може да сте сигурни, че стягате винтовете с точната сила. Закачане за предпазния колан: При често закачане и откачане: използвайте съединител EN 362 със заключване TRIACT-LOCK и системата, която го позиционира по голямата ос (STRING, CAPTV...). Ако уредът ще стои почти постоянно закачен за предпазния колан; използвайте съединител, който се затваря с инструмент (RING OPEN, SWIVEL OPEN, maillon rapide...). Инсталация: отворете ключалките, за да поставите въжето в уреда, после ги затворете, за да зацепва ролката върху въжето. Внимание: уредът ASAP LOCK е еднопосочен, той блокира само в едната посока. Съществува смъртоносна опасност, ако ASAP LOCK се постави върху въжето на обратно.

При всяка употреба проверявайте как работи уредът. Освобождение: след теста за проверка на застопоряването, освободете ролката, за да започне да се върти нормално по въжето. Функция за застопоряване: използвайте бутона за блокиране на ролката, за да изключите движението на уреда ASAP LOCK надолу. Внимание: ако е имало инцидентно падане върху ASAP LOCK в застопорено положение, освобождаването на уреда не може да стане, ако е натоварен.

7. Предупреждения при употреба

Може да се направи възел на въжето, за да спре движението на уреда. Когато се изкачвате или спускате, постоянно следете как се движи уреда ASAP LOCK - въжето не трябва да провисва, защото това ще увеличи височината на едно потенциално падане. Едно върхъ голямо динамично натоварване може да повреди въжето. Ако въжето на средството ASAP LOCK е натоварено, потребителят трябва да намери друго въже, което да използва за обезопасяване.

Употреба върху наклонени повърхности:

Внимание, при подхлъзване и падане с малка скорост например върху не много стръмен покрив устройството ASAP LOCK може да не блокира веднага. Трябва да направите специален възел на въжето, ако има опасност работещият да се удари в някое препятствие.

8. Свободно пространство

Свободното пространство е минималното необходимо свободно разстояние под ползвателя, за да не се удари в някое препятствие в случай, че падне.

Свободното пространство включва:
 - Височината на падане.
 - Спирания път на уреда ASAP LOCK.
 - Дължината на разпорената лента на погълщателя на енергия.
 - Ръста на ползвателя.
 - 1 m марж за застраховане. Елонгацията на въжето (E) варира според ситуацията и трябва да бъде включена в изчисляването на свободното пространство. За повече информация вижте техническите указания за ASAP LOCK на Petzl.com. Посочените стойности се основават на теоретични изчисления и изпитания при падане на твърдо тяло. В една система с елементи срещу падане трябва да се вземе предвид и дължината на карабинерите, която също оказва влияние на височината на падане.

9. Почистване, поддръжане

Избягвайте всякакво проникване на течност в механизма на блокиращата ролка. За почистване на зъбите на ролката не се препоръчва използване на разредител, може обаче да капвате внимателно по малко с капкомер, за да избегнете проникване на течността в механизма.

10. Допълнителна информация

Този продукт съответства на регламента (EC) 2016/425 относно личните предпазни средства. ЕС декларацията за съответствие можете да намерите на страницата Petzl.com.

- Предвидете необходимите спасителни средства за незабавно оказване на помощ в случай на проблем.
 - Препоръчително е точката на закрепване на системата да се намира над ползвателя и да отговаря на изискванията на стандарт EN 795 (минимална якост 12 kN).

- Преди всяко инсталиране на една система с елементи срещу падане от височина трябва да се провери свободното пространство под ползвателя, за да не се удари в земята или в някое препятствие в случай на евентуално падане.
 - Внимавайте точката за закрепване да бъде правилно позиционирана, за да се намали риска от падане, както и височината на падането.
 - Предпазният колан за цялото тяло е единственото средство, което трябва да се използва за обезопасяване на тялото в една система, спираща падане от височина.
 - При употреба на няколко предпазни средства може да възникне рискова ситуация, ако правилното функциониране на дадено средство попречи на правилното функциониране на друго.
 - **ВНИМАНИЕ - ОПАСНО:** следете средствата да не се трият в абразивни материали или остри елементи.

- При извършване на работа на височина е необходимо работещите да са в добро здравословно състояние. **ВНИМАНИЕ:** неподходящо вислочно положение в предпазния колан може да доведе до тежки физиологични нарушения или фатален изход.
 - Спазвайте описаните в листовките инструкции за употреба, които са прикачени към всеки един продукт.
 - Инструкциите за употреба трябва да бъдат предоставени на потребителите преведени на езика на страната, в която се използва средството.
 - Запазете инструкциите за употреба в една папка, за да имате възможност да правите справки, след като сте ги премахнали от средството.
 - Проверете дали маркировката върху продукта е четлива.

Бракуване на продукта:

ВНИМАНИЕ: някое извънредно събитие може да доведе до бракуване на даден продукт само след еднократно използване (в зависимост от вида и интензивността на употреба, средата, в която се ползва: агресивна среда, морска среда, остри ръбове, екстремни температури, химически вещества...). Един продукт трябва да се бракува, когато:
 - Срокт му на годност е изтекъл.
 - Понесъл е значителен удар или натоварване.
 - Резултатът от проверката на продукта е незадоволителен. Съмнявате се в неговата надеждност.
 - Нямате пълна информация как е било използвано средството преди това (например маркировката е нечетлива).
 - Той е морално остарял (поради промяна в законодателството, стандартите, методите на използване, несъвместимост с останалите средства...). Унищожете тези продукти, за да не се употребяват повече.

Пиктограми:

А. Неограничен срок на годност - В. Разрешена температура - С. Предупреждения при употреба - D. Почистване/дезинфекция - Е. Сушене - F. Съхранение/транспорт - G. Поддръжка - H. Модификации/ремонти (забранени са извън сервизите на Petzl, изключение само за резервни части) - I. Вълпоси/контакт

Гаранционен срок 3 години

Отнася се до всякакви дефекти в материалите или при производството. Гаранцията не важи при: нормално износване, окисляция, модификации или ремонти, лошо съхранение, лошо поддръжане, употреба на продукта не по предназначение.

Предупредителни знаци

1. Ситуация с неизбежен риск от тежко нараняване или фатален изход. 2. Ситуация с опасност от възможен инцидент или нараняване. 3. Важна информация относно начина на функциониране или спецификацията на продукта. 4. Несъвместимост на средствата.

Контрол и маркировка

а. Отговаря на изискванията на регламента за ЛПС. Нотифициран орган за ЕС изследване на типа - б. Номер на нотифициран орган, контролиращ производството на това ЛПС - с. Контрол: основни данни - д. Съвместимост с въжета - е. Индивидуален номер - ф. Година на производство - г. Месец на производство - h. Номер на партида - i. Индивидуална идентификация - j. Стандарти - к. Прочетете внимателно техническите указания - l. Идентификация на модела - m. Максимален работен товар - n. Сертифициращ орган по ANSI/ASSP - o. Адрес на производителя

TR

Bu talimatlar, ekipmanınızın doğru kullanımı hakkında bilgi vermektedir. Yalnızca belirli teknikler ve kullanımlar açıklanmaktadır.

Uyarı sembolleri, ekipmanınızın kullanımına ilişkin bazı olası riskler hakkında bilgi vermekle birlikte, tüm riskleri içermemektedir. Güncel ve daha fazla bilgi için Petzl.com'u ziyaret edin.

Tüm uyarıları dikkate alarak ekipmanınızın doğru kullanımını sizin sorumluluğunuzdadır. Ekipmanın yanlış kullanımını ek riskler yaratacaktır. Bu talimatlara ilişkin herhangi bir şüpheleniz veya anlamadığınız bir husus olması halinde Petzl ile iletişime geçin.

1. Kullanım alanı

Yüksekten düşmeye karşı kişisel koruyucu donanım (KKD).

ASAP LOCK: ipe kullanım için, kilitleme fonksiyonlu hareketli düşüş durdurucu EN 12841 Tip A: emniyet ipi için ip ayarlamaya ekipmanı ipe erişim sisteminde, B veya C tipi ilerleme aleti ile birlikte kullanıma yönelik yedek emniyet ekipmanı. EN 353-2: esnek bir ankraj hattı içeren hareketli düşüş durdurucu. Bir düşüş durdurma sisteminde ana emniyet aleti. Ürün, sınırlanmış ötesinde zorlanmamalı ve tasarlandığı amaç dışında kullanılmamalıdır.

Sorumluluk

UYARI

Bu ekipmanın kullanılacağı aktiviteler doğası gereği tehlikelidir. Eylemlerinizin, kararlarınızın ve güvenliğinizin sorumluluğu size aittir.

Bu ekipmanı kullanmadan önce:

- Kullanım Talimatlarını okuyup anladığınızdan emin olun.
- Ürünün doğru kullanımını konusunda eğitim alın.
- Ürünün kapasitesi ve sınırları hakkında bilgi sahibi olun.
- İlgili riskleri anladığınızdan ve kabul ettiğinizden emin olun.

Bu uyarılardan herhangi birinin dikkate alınmaması ciddi yaralanmalar veya ölüme sonuçlanabilir.

Bu ürün yalnızca yetkin ve sorumlu kişilerce veya yetkin ve sorumlu bir kişinin doğrudan gözetimi altında kullanılmalıdır.

Eylemlerinizin, kararlarınızın, güvenliğinizin ve bunların sonuçlarının sorumluluğu size aittir. Bu sorumluluğu üstlenebilecek durumda değilseniz veya Kullanım Talimatlarını tam olarak anlamadıysanız, bu ekipmanı kullanmayın.

2. Terminoloji

(1) Gövde, (2) Çatal, (3) Vida, (4) Bağlantı pimi, (5) Pul, (6) Emniyet mandalları, (7) Kol, (8) Kol aksı, (9) Teker, (10) Kilitleme düğmesi, (11) STRING. Malzeme: alüminyum alaşımı (gövde, kol), paslanmaz çelik (teker, çatal), polyester, naylon (ipler).

3. Muayene, kontrol edilecek hususlar

Güvenliği, ekipmanınızın sağlığına bağlıdır.

Petzl, (ülkenizde yürürlükte olan düzenlemelere ve kullanım koşullarınıza bağlı olarak) 12 ayda bir kez olmak kaydıyla yetkin bir kişi tarafından ayrıntılı bir muayene yapılmasını önermektedir. UYARI: KKD'nizin yoğun kullanımı, daha sık kontrol edilmesini gerektirebilir. Petzl.com'da açıklanan prosedürleri izleyin. Sonuçları KKD muayene formunuza kaydedin: tip, model, üretici iletişim bilgileri, seri numarası veya ürün numarası, tarihler: üretim, satın alma, ilk kullanım, bir sonraki periyodik muayene; sorunlar, yorumlar, muayeneyi yapanın adı ve imzası.

Her kullanımdan önce

ASAP LOCK' çok emicinin çatala doğru şekilde takıldığını ve vidanın düzgün şekilde sıkıldığını doğrulayın.

(Gövde, teker, kol, çatalda) herhangi bir çatlak, çentik, deformasyon, aşınma veya korozyon olmadığını doğrulayın. Vidanın uygun şekilde sıkıldığınıdan emin olun (doğru montaj, boşluk olmaması...).

Emniyet mandallarının durumunu kontrol edin ve geri dönüş yaylarını düzgün çalıştığını doğrulayın.

Kolun aksı üzerinde döndüğünü ve geri dönüş yayının düzgün çalıştığını doğrulayın.

Tekerin temiz olduğunu ve dişlerin aşınmaması olduğunu doğrulayın. Uyarı: Bir veya daha fazla diş eksikse ASAP LOCK'u kullanmayın.

Dişler kırılırsa, Temizleme, bakım bölümüne bakın. Tekerin her iki yönde bir tam tur boyunca düzgün bir şekilde döndüğünü doğrulayın.

İp: İpin durumunu üretici talimatları doğrultusunda kontrol edin. İp'te düşüş yaşanmışsa, iç kısmı deforme olmuş gibi görünüyorsa veya kılıf hasar görmüş ya da lekelenmişse, ip kullanımdan kaldırılmalıdır.

Kullanım sırasınca

Ürünün durumunu ve sistem içinde yer alan diğer ekipmanlarla olan bağlantılarını düzenli olarak kontrol etmek önemlidir. Ekipmanın tüm parçalarının birbirine göre doğru şekilde konumlandırıldığından emin olun.

Tekerin ipe temas etmesini veya dönmelerini engelleyebilecek yabancı cisimlere dikkat edin. Çalışırken ASAP LOCK'u (boya, çimento gibi) sıvı sıçramalarına karşı koruyun. Tekerin her zaman ipe temas ettiğinden emin olun.

4. Uyumluluk

Bu ürünün, kullanmakta olduğunuz sistemin diğer unsurlarıyla uyumlu olduğundan emin olun (uyumlu = işlevsel etkileşimi iyi).

ASAP LOCK ile birlikte kullanılan ekipman ülkenizde yürürlükte olan standartlara uygun olmalıdır (örn. Avrupa'da EN 361 emniyet kemeri...).

Emniyet kemeri:

ASAP LOCK çok emicisini emniyet kemerinizdeki düşüş durdurma sistemi bağlantı noktasına bağlayın.

Şok emici lanyard:

ASAP LOCK'u yalnızca uyumlu Petzl şok emiciler ile birlikte kullanın:

- ASAP'SORBER 20 ve 40.
- ASAP'SORBER AXESS.

Şok emici uzatılmamalıdır (maksimum 12 cm uzunlukta bir bağlama aparatı).

EN 12841 A Tipi İp ile kullanım:

ASAP LOCK'u 10-13 mm EN 1891 A tipi az esneyen kernmantle iplerle kullanın. AB EN 12841 tip A sertifikası kapsamında test edilen ipler:

- Petzl CLUB 10 mm.
- Teufelberger KMIII 13 mm.

EN 353-2 İp ile kullanım:

ASAP LOCK'u yalnızca AB EN 353-2: 2002 sertifikası kapsamında test edilen iplerle kullanın:

- Petzl PARALLEL 10.5 mm.
- Petzl AXIS 11 mm.
- Petzl ASAP'AXIS 11 mm.

5. Çalışma prensibi

Normal hızda teker her iki yönde de serbestçe döner. Aşağı yönlü ani bir hızlanma meydana geldiğinde, teker dönmeyi durdurur ve ip, teker ile gövde arasında sıkışarak kilitlenir.

Kilitleme fonksiyonu: entegre kilitleme fonksiyonu, düşme mesafesini kısaltmak için kullanıcının aleti sabitlemesine olanak tanır.

6. ASAP LOCK kurulum ve fonksiyon testi

Hazırlık:

Yalnızca ASAP LOCK orijinal vidasını kullanın. Vidayı takmadan önce üzerine vida sabitleyici uygulayın.

Şok emiciyi takın ve çatalı kapatın. Sıkıştının, aksın doğru pozisyonunda olduğunu ve vidanın sıkılığını kontrol edin.

Ekipmanın doğru performans göstermesi için vida doğru şekilde takılmalı ve belirtilen torkta sıkılmalıdır. Vidaların doğru torkta sıkıldığından emin olmanın tek yolu tork anahtar kullanmaktır.

Emniyet kemeriyle bağlantı:

Sık bağlantı: ana ekseninde konumlandırılmasını sağlayan (STRING, CAPTIV gibi) bir sistemle birlikte TRIACT-LOCK EN 362 kilitli karabina kullanın.

Yarı kalıcı bağlantı: bir aletle kapanan yarı kalıcı bir bağlama aparatı kullanın (RING OPEN, SWIVEL OPEN, hızlı bağlantı...).

Kurulum: emniyet mandallarını açarak ipi gövdeye yerleştirin, ipin tekere geçmesi için mandalları kapatın.

Uyarı: ASAP LOCK tek yönde çalışan bir ekipmandır ve yalnızca bir yönde kilitlenir. ASAP LOCK ip üzerinde baş aşağı konumlandırılırsa ölüm tehlikesi vardır.

Her kurulumda bir fonksiyon testi yapın.

Kilit açma: fonksiyon testinden sonra, tekerin kilitli durumda ip üzerinde normal hareketi

sağlayın.

Kilitleme fonksiyonu: ASAP LOCK'un ip üzerinde aşağı doğru hareket etmesini önlemek için tekerin kilitleme düğmesini kullanın. Uyarı: Kilitli bir ASAP LOCK üzerinde yanlışlıkla askıda kalma durumunda, yük altındayken kilidi açamaz.

7. Kullanım önlemleri

İpe düşüm atarak bir durdurucu oluşturmak mümkündür.

Potansiyel düşme mesafesini artırabilecek gevsek bir boşluk oluşmadığından emin olmak için ilerledikçe ipin ASAP LOCK içinde uygun şekilde hareket ettiğini düzenli olarak kontrol edin.

Dinamik bir aşın yük ipe zarar verebilir. ASAP LOCK ile kullanılan ipte yük varsa, kullanıcının yedek bir sistemle donatılması gerekir.

Eğimli yüzeyde kullanım:

UYARI: Örneğin, düşük açılı bir çatıda yavaş bir kayma durumunda ASAP LOCK hemen devreye giremeyebilir. Bir engele çarpma riski varsa ipe bir durdurucu düşüm attığınızdan emin olun.

8. Düşüş Açıklığı Mesafesi

Düşüş açıklığı mesafesi, bir düşüş yaşanması durumunda kullanıcının altındaki bir engele çarpmasını önleyen minimum boş alandır.

Düşüş açıklığı mesafesi hesaplanırken şunlar dikkate alınır:

- Düşüş mesafesi.
- ASAP LOCK'un durma mesafesi.
- Şok emicinin yırtılma sonrası uzunluğu.
- Kullanıcının ortalama boyu.
- 1 m güvenlik payı.

İçin esnekliği (E) duruma göre değişir ve hesaplanan düşüş açıklığı mesafesine eklenmelidir.

Daha fazla bilgi için Petzl.com'da ASAP LOCK için teknik ipuçlarına bakın. Burada verilen değerler teorik tahminlere ve hareketsiz bir kütle kullanılarak yapılan düşüş testlerine dayanmaktadır.

Bir düşüş durdurma sisteminde, düşüş mesafesini etkileyecek tüm bağlantı aparatlarının uzunluğunu hesaba katın.

9. Temizleme, bakım

Teker mekanizmasının içine sıvı girmesinden kaçının.

Tekerin dişlerini temizlemek için solvent kullanılması tavsiye edilmez, ancak mekanizmaya solvent çarpmasına dikkat edilmek için fırça ile uygulanması mümkündür.

10. Ek Bilgiler

Bu ürün, (AB) 2016/425 Kişisel Koruyucu Donanım Yönetmeliği'ne uygundur. AB uyumluluk beyanına Petzl.com adresinden ulaşabilirsiniz.

- Bu ekipmanı kullanırken karşılaşılabileceğiniz zorluklara karşı bir kurtarma planınız ve bunu hızlı bir şekilde uygulayabilme imkanınız olmalıdır.

- Sistemin ankraj noktası tercihen kullanıcının pozisyonunun üzerinde olmalı ve EN 795 standartının gerekliliklerini karşılamalıdır (minimum 12 kN mukavemet).

- Düşüş durdurma sisteminde, düşme durumunda yere veya bir engele çarpmamak için her kullanımdan önce kullanıcının altında yeterli düşüş açıklığı mesafesi olduğu kontrol edilmelidir.

- Birden fazla ekipman birlikte kullanılırken, ekipmanları birbirlerinin güvenlik işlevini etkilemesi tehlikeli bir durum yaratabilir.

- UYARI - TEHLİKE: ürünlerinizin aşındırıcı veya keskin yüzeylere sürtünmemesine dikkat edin.

- Kullanıcılar, yüksekte yapılan aktiviteler için tıbbi olarak uygun olmalıdır. UYARI: Emniyet kemerinde askıda hareketsiz kalmak ciddi yaralanmalara veya ölüme neden olabilir.

- Bu ürünle birlikte kullanılan her bir ekipmanın Kullanım Talimatlarına uyulmalıdır.

- Kullanım Talimatları, kullandığınız ekipmanın kullandığı ülkenin dilinde sağlanmalıdır.

- Ekipmanın ambalajından çıkardığınız Kullanım Talimatlarını başyuru amacıyla saklayın.

- Ürün üzerindeki markalamanın okunaklı olduğundan emin olun.

Ekipmanın kullanımdan kaldırılması:

UYARI: Kullanım türüne, yoğunluğuna ve kullanım ortamına (agresif ortamlar, deniz ortamı, keskin kenarlar, aşın sıcaklıklar, kimyasallar...) bağlı olarak olağan dışı bir olay, bir ürünü yalnızca bir kullanımdan sonra kullanımdan kaldırmanızı gerektirebilir.

Aşağıdaki durumlarda ürün kullanımdan kaldırılmalıdır:

- Kullanım ömrünün aştığında.
- Ciddi bir düşüşe veya yüke maruz kaldığında.
- Muayeneden geçemediğinde. Güvenliliği konusunda herhangi bir şüpheleniz olması halinde.
- Tam kullanım geçmişi bilmiyorsanız (ör. ürün üzerindeki markalamanın okunabilir durumda olmaması).
- Mevzuattaki, standartlardaki, tekniklerdeki değişiklikler veya diğer ekipmanlarla uyumsuzluk nedeniyle kullanılamaz duruma geldiğinde.

Teker kullanılması önlemek için bu ürünleri imha edin.

Piktogramlar:

A. Sınırsız kullanım ömrü - B. Kabul edilebilir sıcaklıklar - C. Kullanım önlemleri - D. Temizleme/dezenfeksiyon - E. Kurutma - F. Depolama/nakliye - G. Bakım - H. Modifikasyon/onarım (yedek parçalar hariç, Petzl tesislerinin dışında yasaktır) - I. Sorular/İletişim

3 yıl garanti

Herhangi bir malzeme veya üretim hatasına karşı. İstisnalar: normal aşınma ve yıpranma, oksitlenme, modifikasyon veya değişiklikler, yanlış depolama, yetersiz bakım, ihmal, ürünün amaçına uygun olmayan kullanım.

Uyarı işaretleri

1. Yakın bir ciddi yaralanma veya ölüm riski arz eden durum. 2. Olası bir kaza veya yaralanma riskine maruz kalma. 3. Ürününüzün çalışması veya performansı hakkında önemli bilgiler. 4. Ekipmanların uyumsuzluğu.

İzlenebilirlik ve markalama

a. KKD düzenlemelerinin gerekliliklerine uygundur. AB tip incelemesini yapan onaylanmış kuruluş - b. KKD üretim kontrolünü yapan onaylanmış kuruluş numarası - c. İzlenebilirlik: karekod - d. İp uyumluluğu - e. Seri numarası - f. Üretim yılı - g. Üretim ayı - h. Parti numarası - i. Ürün numarası - j. Standartlar - k. Kullanım Talimatlarını dikkatli bir şekilde okuyun - l. Model bilgisi - m. Nominal maksimum yük - n. ANS/ASSP sertifikasyon kuruluşu - o. Üretici adresi

คู่มือการใช้งานนี้ อธิบายให้ทราบถึงวิธีการใช้งานอุปกรณ์ของคุณอย่างถูกต้อง เฉพาะข้อมูลทางเทคนิคและการใช้งานบางอย่างเท่านั้นที่ได้อธิบายไว้

เครื่องหมายคำเตือนได้บอกให้คุณทราบถึงอันตรายบางส่วนที่อาจเกิดขึ้นจากการใช้งานของอุปกรณ์ แต่ไม่อาจอธิบายได้ทั้งหมด ตรวจสอบที่ Petzl.com เพื่อหาข้อมูลเพิ่มเติมล่าสุด

เป็นความรับผิดชอบของคุณในกรณีระวังต่อคำเตือนและการใช้อุปกรณ์อย่างถูกต้อง ข้อผิดพลาดในการใช้อุปกรณ์จะทำให้เกิดอันตราย ติดคอ Petzl หรือตัวแทนจำหน่ายถ้ามือขงสังขัย หรือ ไม่เข้าใจขอความในคู่มือนี้

1. ส่วนที่เกี่ยวข้องกัน

อุปกรณ์ป้องกันภัยส่วนบุคคล (PPE) ใช้สำหรับป้องกันการตกจากที่สูง

ASAP LOCK ตัวยึบซึ่งการตกแบบเคลื่อนที่ไ้ได้ สำหรับใช้งานกับเชือก ด้วยระบบล๊อคในตัว

EN 12841 type A อุปกรณ์ปรับเปลี่ยนเชือกใช้สำหรับเชือกเส้นเซฟ อุปกรณ์ backup ในการทำงานระบบเชือกสำหรับใช้ร่วมกับตัวบีบจับเชือกแบบ type B หรือ C
EN 353-2 ตัวป้องกันการครวมควดเชือกเซฟไลน์แบบยึดหมุน อุปกรณ์ควบคุมเชือกเส้นทำงานในระบบขั้มซึ่งการตก
อุปกรณ์นี้จะต้องมีรัรับน้ำหนักเกินกว่าที่ระบุไว้หรือไม่นำไปใช้ในวัตถุประสงค์อย่างอื่นนอกเหนือจากที่ได้ออกออกแบบมา

ความรับผิดชอบ

คำเตือน

กิจกรรมที่เกี่ยวข้องกับการใช้อุปกรณ์นี้ เป็นสิ่งที่เป็นอันตราย เป็นความรับผิดชอบของผู้ใช้งานต่อการกระทำ การตัดสินใจและความปลอดภัยของตัวเอง

ก่อนการใช้อุปกรณ์นี้ จะต้อง:

- อ่านและทำความเข้าใจรายละเอียดในคู่มือการใช้งาน
- ทำการฝึกฝนโดยเฉพาะเพื่อการใช้งานที่ถูกต้อง
- ทำความเข้าใจเกี่ยวกับความสามารถและข้อจำกัดในการใช้งานของมัน
- เข้าใจและยอมรับความเสี่ยงที่เกี่ยวข้อง

การขาดความระมัดระวังและละเลยต่อข้อมูลนี้ อาจมีผลให้เกิดการบาดเจ็บสาหัสหรืออาจถึงแก่ชีวิต

อุปกรณ์นี้จะต้องถูกใช้งานโดยผู้ที่มีความเชี่ยวชาญและความรับผิดชอบหรือใช้ในสถานที่ที่อยู่ในความรับผิดชอบโดยตรงหรือควบคุมได้โดยผู้เชี่ยวชาญ เป็นความรับผิดชอบของผู้ใช้งานต่อวิธีการใช้ การตัดสินใจ ความปลอดภัย และยอมรับในผลที่เกิดขึ้นจากริการนั้น ไม่ควรใช้อุปกรณ์นี้ถ้าคุณไม่สามารถ หรือไม่อยู่ในสภาวะที่จะรับผิดชอบต่อความเสี่ยงที่จะเกิดขึ้นหรือไม่เข้าใจข้อความในคู่มือการใช้งาน

2. ชื่อของส่วนประกอบ

(1) โครงร่าง (2) แขนยึดรูปตัวยูจะระบุและยึดด้วยน๊อต (3) สกรู (4) ลิ่มยึดติด (5) ตัวกันกระยะ (6) ตัวขั้มนิริบ์ท (7) แขน (8) แกนยึดแขน (9) ตัวล๊อคหลุมหมุน (10) ปุ่มล๊อค (11) STRING

วัสดุหลักที่ใช้ผลิต: อลูมิเนียมอัลลอยด์ (เฟรม, แขนยึด), สเตนเลส (ตัวล๊อคหลุมหมุน, ตัวขั้มนิริบ์ท), โพลีเอสเตอร์, ไนลอน (เชือก)

3. การตรวจสอบ จุดที่ต้องตรวจสอบ

ความปลอดภัยของคุณขึ้นอยู่กับความสมบูรณ์ของอุปกรณ์ของคุณ

Petzl แนะนำให้ตรวจเช็ครายละเอียดของอุปกรณ์โดยผู้เชี่ยวชาญ อย่างน้อยหนึ่งครั้งทุก 12 เดือน (ขึ้นอยู่กับข้อกำหนดกฎหมายของประเทศและสภาพการใช้งาน) คำ

เตือน: การใช้งานหนักอาจเป็นสาเหตุที่ทำให้คุณต้องทำการตรวจเช็คอุปกรณ์ PPE ด้วยความถี่มากขึ้น ทำตามขั้นตอนที่แสดงไว้ที่ Petzl.com บันทึกผลการตรวจเช็ค PPE ลงในแบบฟอร์มการตรวจเช็ค: ชนิด, รุ่น, ข้อมูลของโรงงานผู้ผลิต, หมายเลขลำดับการผลิต, หรือหมายเลขกับอุปกรณ์, วันที่ของการผลิต, วันที่สั่งซื้อ, วันที่ใช้งานครั้งแรก, กำหนดการตรวจเช็คครั้งต่อไป, ปัญหาที่พบ, ความผิดปกติ, ชื่อของผู้ตรวจเช็ค หรือชื่อเซ็นชื่

ก่อนการใช้งานแต่ละครั้ง

ASAP LOCK ตรวจเช็คเชือกเส้นนิริบ์ทว่า ได้ยึดติดกับแกนยึดตัวยู อย่างถูกต้อง และสกรูยึดยึดอยู่อย่างแน่นหนาดีแล้ว

ตรวจเช็คว่าไม่มีรอยแตกร้าว รอยบาก ฝืดรูปร่าง สึกกร่อน มีสนิมกับกร่อน (บน โครงร่าง ล้อ แขน แขนยึดรูปตัวยู) ตรวจให้แน่ใจว่าสกรูได้ถูกขันอย่างแน่นหนา (ติดตั้งอย่างถูกต้อง, ปราศจากการคลายเกลียว...)

ตรวจเช็คสภาพของตัวขั้มนิริบ์ท ว่าการสปริงตัวกลับทำงานได้ตามปกติ

ตรวจเช็คความยืดหยุ่นของเบม และตรวจเช็คว่าการสปริงตัวกลับทำงานได้ตามปกติ ตรวจเช็คว่าคุณล๊อคมีสภาพสมบูรณ์ และไม่มีรอยรอยของพื้นสึกกร่อน คำเตือน ถ้าพื้นขรุขระหรือหลุมหายไปเพียงหนึ่งหรือมากกว่าห้ามใช้งาน ASAP LOCK นั้น

ถ้าส่วนของพื้นสกรูปร้าให้อุ่นดูจากข้อความเกี่ยวกับการดูแลและที่คววมสะอาด ตรวจสอบว่าแกนยึดล๊อคหลุมหมุนวนได้โดยอิสระตามรอบของการหมุนทั้งสองทิศทาง เชือก ตรวจเช็คสภาพของเชือก โดยทำตามคู่มือคำแนะนำของโรงงานผู้ผลิต เชือกจะต้องถูกใช้ให้หมักมีการคล ถ้านแกนเชือกมีการผิดปกติ หรือปลอกเชือกเสียหายหรือมีรอยประอะเปื้อนระหว่างการใช้งาน

เป็นเรื่องสำคัญอย่างยิ่งที่ต้องตรวจสอบสภาพของอุปกรณ์อยู่เป็นประจำ และการต่อเชื่อมอุปกรณ์เข้ากับอุปกรณ์ตัวอื่นในระบบ แม้ว่าจะทุกชิ้นส่วนของอุปกรณ์อยู่ในตำแหน่งที่ถูกตองกับชิ้นส่วนอื่น

ระวังสิ่งแปลกปลอมซึ่งอาจขัดขวางการทำงานของระบบล๊อคล๊อคจากการยึดติดกับ

เชือก หรือจากการหมุน ป้องกันASAP LOCKจากการกระเด็นประอะเปื้อนในขณะที่งาน

(ทาสี ซิเมนต์ ฯลฯ) แน่ใจว่าตัวล๊อคทำงานด้วยคัมมั้นเชือกตลอดเวลา

4. ความเข้ากันได้

ตรวจเช็คว่าคุณปรณนี้ สามารถใช้งานเข้ากันได้ดีกับอุปกรณ์อื่นในระบบที่เกี่ยวข้องกัน (เข้ากัน ได้ดี = ใช้งานด้วยกัน ได้โดยไม่ได้ขัด)

อุปกรณ์ที่นำมาใช้งานร่วมกับ ASAP LOCK นั้นจะต้องผ่านมาตรฐานของการใช้งานในแต่ละประเทศ (เช่น EN 361 เป็นมาตรฐานสำหรับสายรัดนิริบ์ทในยุโรป ฯลฯ)

สายรัดสะโพก

คอฮึดเชือกเส้นนิริบ์ทของ ASAP LOCK เข้ากับจุดยึดขั้มซึ่งการตกที่สายรัดสะโพก

เชือกเส้น-นิริบ์ทสำหรับลูดซ์ับแรงง

ใช้ ASAP LOCK กับ Petzl เชือกเส้นลูดซ์ับแรงที่เข้ากันได้เท่านั้น

- ASAP®SORBER 20 และ 40

- ASAP®SORBER AXESS

เชือกเส้นลูดซ์ับแรงคงที่ไม่ลูดค่อเดิมออกไป (ตัวล๊อคเชื่อมต่อนึ่งตัวมีความยาวไม่เกิน 12 ซม)

เชือก EN 12841 type A การใช้งาน

ใช้ ASAP LOCK กับเชือกขนาด 10-13 มม มาตรฐาน EN 1891 type A low stretch kernmantle

เชือกที่ได้ผ่านการทดสอบตามมาตรฐาน EU EN 12841 type A

- Petzl CLUB 10 มม

- Teufelberger KM III 13 มม

เชือก EN 353-2 การใช้งาน

ใช้ ASAP LOCK กับเชือกที่ผ่านการทดสอบตาม EU EN 353-2:2002 เท่านั้น

- Petzl PARALLEL 10.5 มม

- Petzl AXIS 11 มม

- Petzl ASAP®AXIS 11 มม

5. หลักการปฏิบัติงาน

ที่ความเร็วปานกลาง แกนล๊อคล๊อคจะหมุนโดยอัติองระพีงสองทิศทาง เมื่อเกิดการโรยตัวลง โดยความเร็วสูง แกนล๊อคล๊อคจะหยุดหมุนและเชือกจะถูกบล็อก โดยคูมบีบอัตราห้วงลูดค่อและเฟรมของอุปกรณ์ ฟังก์ชันล๊อค: ฟังก์ชันล๊อคในตัวนี้ทำให้ผู้ใช้งานหยุดการเคลื่อนไหวของอุปกรณ์เพื่อลดระยะทางของการตก

6. ASAP LOCK การติดตั้ง และ การทดสอบการใช้งาน

การเตรียมการ

ใช้เฉพาะสกรูตัวเดิมที่ติดมากับ ASAP LOCK เท่านั้น หมุนเกลียวสกรูก่อนการติดตั้ง ติดตั้งเชือกลูดซ์ับแรงลดกระชากและเปิดแกนยึดติด ขันให้แน่น ตรวจเช็คว่าแกน และสกรูนั้นใส่ในตำแหน่งที่ถูกตอง และ แน่นที่ตรงพอ

เพื่อให้แน่ใจในประสิทธิภาพที่เหมาะสมของอุปกรณ์ของคุณ สกรูจะถูกติดตั้งอย่างถูกต้องและขันอย่างแน่นหนาด้วยประยะที่ระบุไว้ การใช้ประยะเบอนด์เป็นวิธีเดียวที่สามารถตรวจสอบว่าการขันประเจี้ยนถูกต้อง

การติดตั้งที่สายรัดสะโพก

หากมีการตองเกี่ยวกับคัมบ์ยูฯ เลือกใช้ TRIACT-LOCK EN 362 ตัวล๊อคเชื่อก่อนที่มีระบบช่วยคงตำแหน่งให้ตัวอุปกรณ์รับน้ำหนักที่แกนหลักผู้เสมอ (STRING, CAPTIV ฯลฯ)

การติดตั้งกึ่งกลางบนสายรัดสะโพก เลือกใช้ตัวล๊อคเชื่อก่อนแบบ semi-permanent ซึ่งต้องเปิดและปิดด้วยอุปกรณ์ที่แยกเท่านั้น (RING OPEN, SWIVEL OPEN, quick link ฯลฯ)

การติดตั้ง: เปิดตัวขั้มนิริบ์ทเพื่อใส่เชือกเข้าในร่องของอุปกรณ์ ปิดสตัคเพื่อครอบล่อ หมุนสำหรับล๊อคลงบนเชือก

คำเตือน ASAP LOCK เป็นอุปกรณ์เกี่ยวกับทิศทาง และจะล๊อคในทิศทางเดียวเสมอ อันตรายเชิงชีวิตหากใช้งาน ASAP LOCK แบบพลิกกลับหัว

การปฏิบัติระหว่งการทดสอบของแ่ละการติดตั้ง

การปลดล๊อค หลังจากการทดสอบ การปลดล๊อคล๊อค อุปกรณ์จะสไลด์เลื่อนลงบนเชือกได้ตามปกติ

ระบบล๊อค กสตัคล๊อคเพื่อป้องกันไม่ให ASAP LOCK เลื่อนไหลลงตามตามเชือก ข้อควรระวัง ข้อควรระวัง ในกรณีที่ผู้บาดเจ็บหรือตัวยูฯ ASAP LOCK จะไม่สามารถปลดล๊อคได้หากมีน้ำหนักกดที่เชือก

7. ข้อควรระวังจากการใช้

เป็นไปได้ที่จะลองทำการ เคลื่อนที่และหยุดยั้ง โดยการผูกเงื่อนที่เชือก

ในขณะที่เคลื่อนตัวให้ตรวจเช็องงสน้ำเสมอว่า เชือกเลื่อนไหลได้ปกติใน ASAP LOCK หลักเล็งงการทำให้เกิดการข่อนงของเชือก ซึ่งจะทำให้ระยะของการตกเพิ่มมากขึ้นด้วย

การกดลงของเบมเบียดขั้มุ่นสามารถทำให้เชือกเสียหายได้ ถ่าเชือกเส้นที่ติดคือ ASAP LOCK ถูกแรงกดลง ผู้ใช้จะต้องใช้ระบบ backup อีกอันด้วย

การใช้งานบนพื้นที่ลาดเอียง

คำเตือน ในกรณีของการเลื่อนไหลช้าๆ เช่น บนหลังคาที่มีมุมเอียงต่ำ ASAP LOCK อาจไม่ทำงานในทันที ต้องแนใจว่าได้ผูกเงื่อนหยุดที่เชือก ถ่ามีความเสี่ยงต่อการจะไปปะทะกับสิ่งกีดขวาง

8. ช่องว่างระหว่างจุดตก

ช่องว่างระหว่างการตก คือจำนวนน้อที่สูงสุดของระยะห่างจากค้ำันโดยของผู้ใช้งานที่ถูกต้อง แต่ป้องกันผู้ใช้งานจากการถูกกระแทกกับวัตถุอื่นใดในกรณีที่มีการตก ช่องว่างถูกคำนวณจาก

- ความยาวของการตก

- ระยะจากที่ ASAP LOCK หยุด

- ความยาวของเชือกลูดซ์ับแรงที่หยุดกระชอกถ

- ความสูงโดยประมาณของผู้ใช้งาน

- ลัดส่วนที่ล๊อคถั้กระยะ 1 เมตร

ความยืดหยุ่นของเชือก (E) ขึ้นกับปรมาณสถานการณ์ที่เกิดและจะต้องถูกบวกเพิ่มไว้เพื่อการคำนวณช่องว่างเพื่อความปลอดภัย

เพื่อทราบข้อมูลเพิ่มเติม คู่มือการใช้งาน ASAP LOCK ที่ Petzl.com

คำที่ีแสดงเป็นพื้นฐานของการกั้คำนวณทางทฤษฎีและการทดสอบการตกโดยใช้

น้ำหนักถ่วง

ในระบบขั้มซึ่งการตก ให้คำนวณความยาวของลวดเชื่อมล่อฯ ที่อาจมีผลต่อระยะทางของการตกด้วย

9. การที่คววมสะอาด การบำรุงรักษา

หลักเล็งงการหยุดใส่น้ำมันภายในระบบกลไกของล๊อค

การทำคววมสะอาดพื้นของลูดค่อ ไม่แนะนำให้ใช้สารละลาย แต่อาจใช้ร่วมกับเบร้งได้ หลักเล็งงการหยุดใส่สารละลายใดๆ ในระบบกลไก

10. ข้อมูลเพิ่มเติม

อุปกรณ์นี้ได้ผลิตตามข้อกำหนดของอิม้กับ (EU) 2016/425 ในเรื่อง อุปกรณ์ป้องกันภัยส่วนบุคคล EU รายละเอียดขั้มร้อมมาตรฐาน สามารถหาดูได้ที่ Petzl.com

-คุณจะมีคู่มือแผนการกู้ชีพและวิธีการทำโดยอย่างรวดเร็วในกรณีทีประสพความยุ่งยากขึ้นในขณะที่ใช้อุปกรณ์นี้

-จุดยึดยึดในระบบ จะต้องอยู่เหนือตำแหน่งของผู้ใช้งาน และเป็นไปตามข้อกำหนดของมาตรฐาน EN 795 (ความแข็งแรงลงไม่น้อยกว่า 12 kN)

- ในระบบขั้มซึ่งการตกเป็นสิ่งสำคัญที่จะต้องตรวจเช็คพื้นที่ว่างตามใจของผู้ใช้งานก่อนการใช้งานทุกครั้ง เพื่อหลีกเลี่ยงการหล่นไปกระทบกับพื้นหรือสิ่งกีดขวางในกรณีที่มีการตกเกิดขึ้น

-ต้องแนใจว่า จุดยึดยึดอยู่ในตำแหน่งที่ถูกตอง เพื่อจำกัดความเสี่ยง และระยะทางของการตก

-สายรัดนิริบ์ทเป็นเพียงอุปกรณ์ชนิดเดียวที่ช่วยพยุงร่างกาย ในระบบขั้มซึ่งการตกเท่านั้น

-เมื่อใช้อุปกรณ์หลายชนิดร่วมกันอาจเกิดผลร้ายต่อความปลอดภัยในกรณีทีอุปกรณ์ชนิดหนึ่งถูกลดประสิทธิภาพลงด้วยส่วนประกอบเพื่อความปลอดภัยของอุปกรณ์ชนิดอื่น

- คำเตือน-อันตราย: ต้องแนใจว่าอุปกรณ์ไม่ถูกสัมผัสกับวัตถุที่สามารถกัดกร่อน หรือพื้นผิวที่แหลมคม

-ผู้ใช้งานต้องมีสภาพร่างกายแข็งแรง เหมาะกับกิจกรรมในที่สูง คำเตือน การห้อยตัวอยู่ในสายรัดสะโพกเป็นเวลานานอาจมีผลทำให้เกิดการบาดเจ็บสาหัส หรืออาจถึงแก่ชีวิต

-คู่มือการใช้งานของอุปกรณ์แต่ละชนิดที่ใช้เชื่อมต่อกับอุปกรณ์นี้ต้องปฏิบัติตามอย่างเคร่งครัด

-คู่มือการใช้งานต้องจัดหาให้กับผู้ใช้งานอุปกรณ์นี้ ในภาษาท้องถิ่นของประเทศที่อุปกรณ์จะถูกนำไปใช้งาน

-เก็บข้อแนะนำการใช้งานไว้อย่างถาวรเพื่อให้อ้างอิงหลังจากแกะออกจกตัวอุปกรณ์แล้ว

-แนใจว่าป้ายเครื่องหมายที่ติดบนอุปกรณ์สามารถอ่านได้ชัดเจน

ควรวกถกเลิกการใช้อุปกรณ์เมื่อไร

ข้อควรระวัง: ในกิจกรรมที่ใช้งานเฉพาะเจาะจงจะเป็นที่สมทงทำให้อุปกรณ์ต้องถูกเลิกใช้แม้หลังจากการใช้งานเพียงครั้งเดียวที่นี้ ขึ้นอยู่กับชนิดของการใช้งานและความรุนแรงของสภาพแวดล้อมของการใช้ (สภาพที่แข็งหยาก, สถานที่ใกล้ทะเล, ขอมมูมที่แหลมคม, สภาพอากาศที่รุนแรง, สารเคมี...)

อุปกรณ์จะต้องเลิกใช้ เมื่อ:

-เมื่ออุปกรณ์สั้นอายุการใช้งาน

-ได้เคยมีการลดกระชากอย่างรุนแรง หรือ เกิดขั้มจำกัด

-เมื่อไม่ผ่านการตรวจเช็คสภาพ เมื่อมีข้อสงสัยหรือไม่แนใจ

-เมื่อไม่ทราบถึงประวัติการใช้งานทั้งหมด (เช่น มีการทำเครื่องหมายเหตุไม่สามารถอ่านได้)

-เมื่อครุ่น ล้าสมัยจากการเปลี่ยนกฎเกณฑ์มาตรฐานเทคนิค หรือ ความเข้ากันไม่ได้กับอุปกรณ์อื่น

ทำลยอุปกรณ์เพื่อป้องกันกรณีนำกลับมาใช้อีก

สัญลักษณ์:

A. ไม่จำกัดอายุการใช้งาน - B. สภาพภูมิอากาศที่สามารถใช้งานได้ - C. ข้อควรระวังการใช้งาน - D. การที่คววมสะอาดตามเชื่อโรค - E. ที่ให้แหนง - F. การเก็บรักษา/การขนส่ง - G. การบำรุงรักษา - H. การดัดแปลงเพิ่มเติม/การซ่อมแซม (ไม่อนุญาตให้ทำภายนอกโรงงานของ Petzl ยกเว้นส่วนที่สามารถใช้ทดแทนได้) - I. คำถำน/ติดค่อ

อุปกรณ์มีการรับประกันเป็นเวลา 3 ปี

เกี่ยวกับวัสดุหรือความบกพร่องจากการผลิต ข้อถ้วนจากการรับประกัน การชำรุดบกพร่องจากการใช้งานตามปกติ ปฏิกริยาทางสารเคมี การแก้ไขดัดแปลง การเก็บรักษาไม่ถูกวิธี ขาดการดูแล การนำไปใช้งานที่นอกเหนือจากที่อุปกรณ์ได้ออกแบบไว้

เครื่องหมายคำเตือน

1. สถานการณ์ความเสี่ยงที่จะเกิดอัมับรายขาดเจ็บสาหัส หรือ เสียชีวิต
2. แสดงให้เห็นถึงความเสี่ยงต่อการเกิดอุบัติเหตุ หรือ การบาดเจ็บ
3. ข้อมูลสำคัญที่เกี่ยวกับประสิทธิภาพในการใช้งาน หรือคุณสมบัติของอุปกรณ์
4. ความเข้ากันไม่ได้ของอุปกรณ์